



Swivel/Rigid Sink and Pantry Faucets

BP-0300-CR4XP15

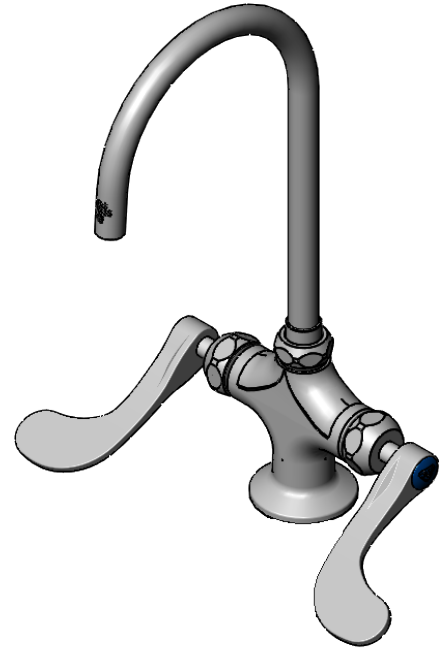
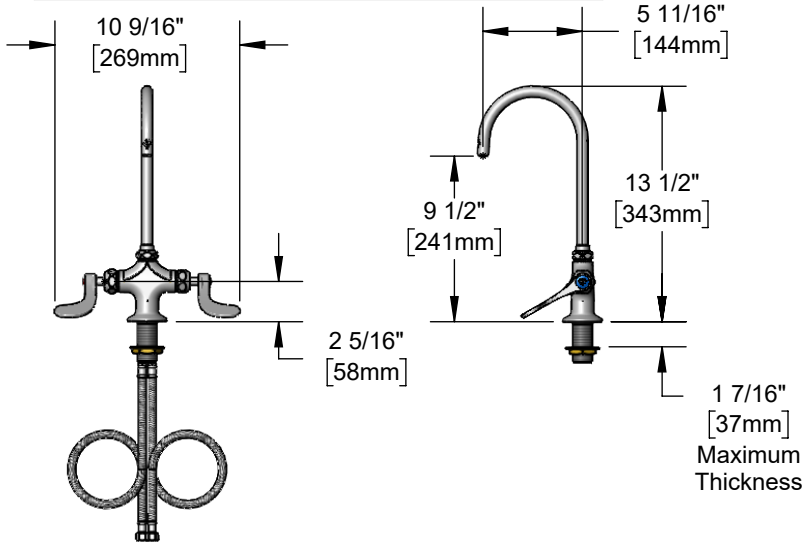
TAG:

Double Pantry Faucet

Architect/Engineering Specifications:

Single hole deck mount mixing faucet with polished chrome plated brass body, 5 11/16" swivel/rigid gooseneck with plain end outlet and 1.5 GPM flow control device, ceramic cartridges with check valves, wrist action handles with vandal resistant screws and 19" flexible stainless steel supply hoses with 3/8" compression connections. Certified to ASME A112.18.1 / CSA B125.1, NSF 61-Section 9 and NSF 372. Meets ADA ANSI/ICC A117.1 requirements.

Job Name _____
 Model Specified _____ Quantity _____
 Variations Specified _____
 Date _____



Features & Benefits:

- Single hole deck mount mixing faucet w/ polished chrome plated brass body
- 5 11/16" swivel/rigid gooseneck w/ plain end outlet
- Lock washer provided for rigid application
- 1.5 gpm flow control device (pre-installed in gooseneck swivel)
- Quarter-turn Cerama cartridges with check valves to prevent cross flow of water
- 4" wrist action handles w/ color coded indexes
- Vandal resistant screws
- 19" flexible stainless steel supply hoses w/ 3/8" compression connections
- 1 7/16" maximum countertop thickness
- Material: Polished chrome plated brass body & tubular spout and chrome plated metal handles

Product Compliance:

- ASME A112.18.1 / CSA B125.1
- NSF 61 - Section 9
- NSF 372 (Low Lead Content)
- ANSI A117.1 (ADA)
- EPA WaterSense



ADA Compliant

Warranty: One Year (Limited)

- Cerama Cartridge: Lifetime (Limited)



Performance Data:

- Pressure: 20 - 125 psi [1.38 - 8.62 bar]
- Temperature: 40°F - 180°F [4.44°C - 82.22°C]
- Flow Rate: 1.5 GPM [5.68 L/min] @ 60 psi [4.14 bar]

Optional Flow Disc

GPM	Model No	Optional Cartridges With Checks
0.5	<input type="checkbox"/> FD05	<input type="checkbox"/> Quarter-Turn Cerama w/ Check Valve (Standard)
1.0	<input type="checkbox"/> FD10	<input type="checkbox"/> Quarter-Turn Eterna w/ Spring Check
1.2	<input type="checkbox"/> FD12	
1.5	Standard	
2.2	<input type="checkbox"/> FD22	

Optional Handles

- 4" Wrist Action (Standard)
- Lever
- 4-Arm



T&S BRASS AND BRONZE WORKS, INC.



• 2 Saddleback Cove • Travelers Rest, SC 29690
 Ph 800-476-4103 • Fax 864-834-3518
 • Simi Valley, CA • Ph 800-423-0150 • www.tsbrass.com

Date: 03/13/23