



T&S BRASS AND BRONZE WORKS, INC.
 2 Saddleback Cove / P.O. Box 1088
 Travelers Rest, SC 29690

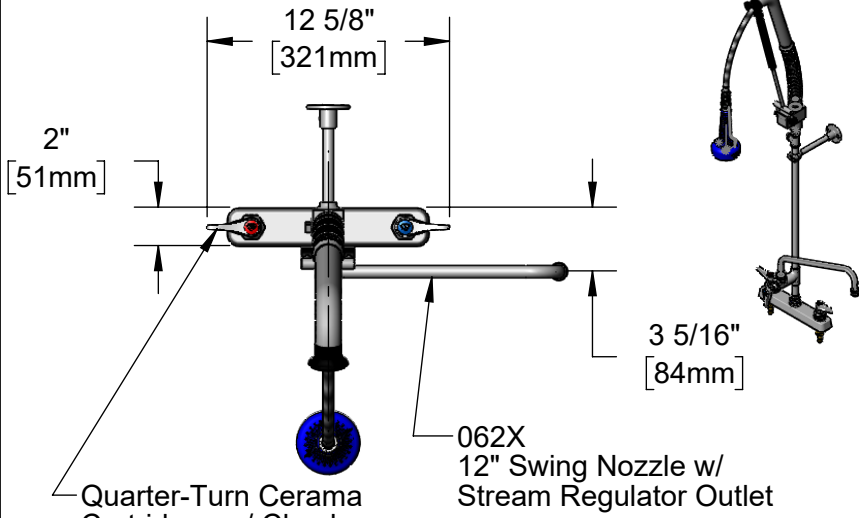
Model No.
B-5120-12CRB8TP

Item No.

Travelers Rest, SC: 800-476-4103 • Simi Valley, CA: 800-423-0150 • Fax: 864-834-3518 • www.tsbrass.com

This Space for Architect/Engineer Approval

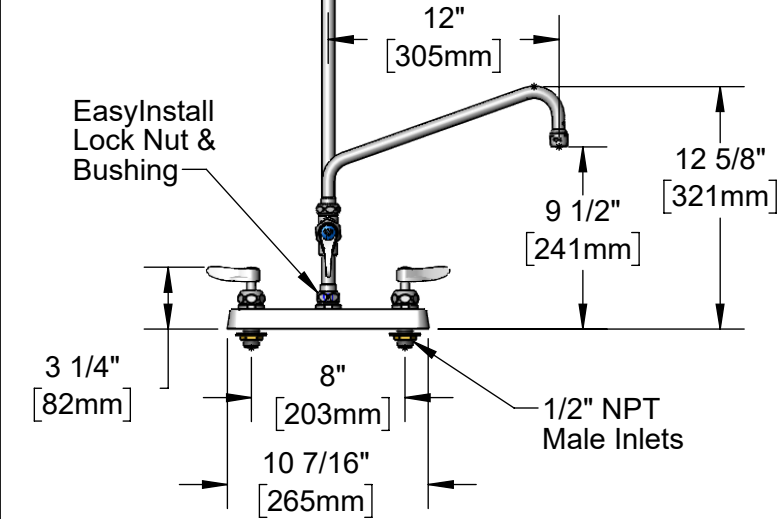
Job Name _____ Date _____
 Model Specified _____ Quantity _____
 Customer/Wholesaler _____
 Contractor _____
 Architect/Engineer _____



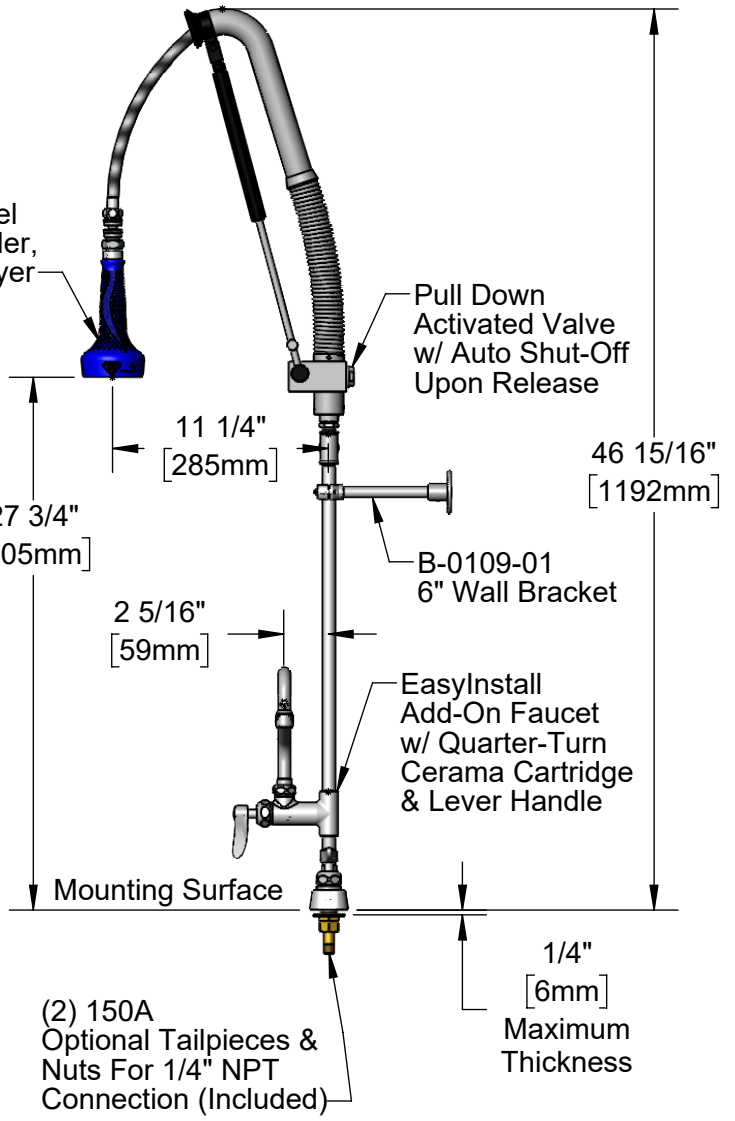
2" [51mm]
 12 5/8" [321mm]
 3 5/16" [84mm]
 062X
 12" Swing Nozzle w/
 Stream Regulator Outlet

Quarter-Turn Cerama Cartridges w/ Check Valves & Lever Handles w/ Color Coded Indexes
 30" Flexible Stainless Steel Hose w/ Spring, Air Cylinder, Swivel, & 1.07 GPM Sprayer

Items Not Shown For Clarity
 B-TEE-RGD Tee for Accessory Fittings
 3/8" NPT x18" Riser



EasyInstall Lock Nut & Bushing
 12" [305mm]
 9 1/2" [241mm]
 12 5/8" [321mm]
 3 1/4" [82mm]
 8" [203mm]
 10 7/16" [265mm]
 1/2" NPT Male Inlets



46 15/16" [1192mm]
 11 1/4" [285mm]
 27 3/4" [705mm]
 2 5/16" [59mm]
 Pull Down Activated Valve w/ Auto Shut-Off Upon Release
 B-0109-01 6" Wall Bracket
 EasyInstall Add-On Faucet w/ Quarter-Turn Cerama Cartridge & Lever Handle
 Mounting Surface
 1/4" [6mm] Maximum Thickness
 (2) 150A Optional Tailpieces & Nuts For 1/4" NPT Connection (Included)

Rough-In Requirement:
 (2) ϕ 1" [25mm] Mounting Holes

Product Specifications:
 EasyInstall Pull-Down Pre-Rinse Unit: 8" Deck Mount Workboard Faucet, Quarter-Turn Cerama Cartridges w/ Check Valves, Add-On Faucet w/ 12" Swing Nozzle, Lever Handles, 18" Riser, 30" Flexible Stainless Steel Hose, 1.07 GPM Sprayer w/ Ball-Joint Swivel, Accessory Tee, 6" Wall Bracket & 1/2" NPT Male Inlets

Product Compliance:
 ASME A112.18.1 / CSA B125.1
 NSF 61 - Section 9
 NSF 372 (Low Lead Content)
 2019 DOE PRSV - Class II

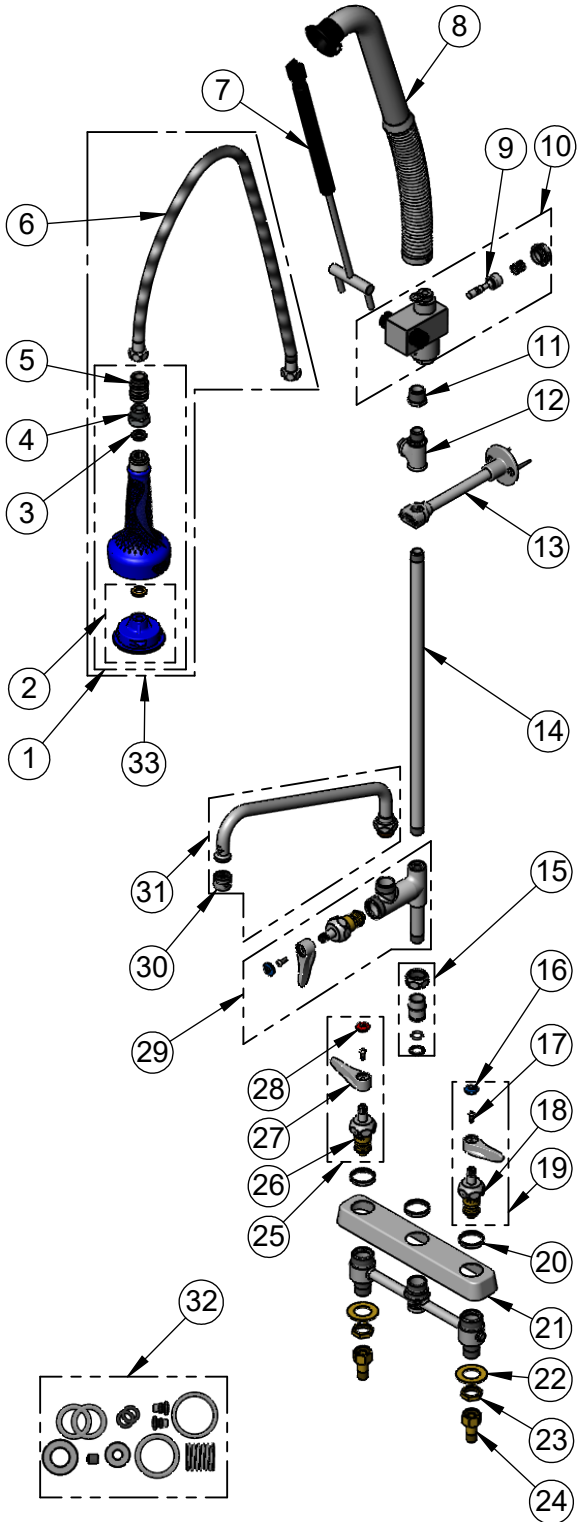


T&S BRASS AND BRONZE WORKS, INC.
 2 Saddleback Cove / P.O. Box 1088
 Travelers Rest, SC 29690

Model No.
B-5120-12CRB8TP

Item No.

Travelers Rest, SC: 800-476-4103 • Simi Valley, CA: 800-423-0150 • Fax: 864-834-3518 • www.tsbrass.com



ITEM NO.	SALES NO.	DESCRIPTION
1	019898-40	1.07 GPM Sprayer w/ Swivel
2	108SF-RK	Spray Face Repair Kit
3	001014-45	Washer, Hose Barrel
4	005221-25	7/8"-20 x 1/2" BSPP Adapter
5	021046-45	Stainless Steel Ball-Joint Swivel
6	019901-45	30" Stainless Steel Braided Hose w/ 1/2" NPSM Threads
7	020062-45	Air Cylinder Repair Kit
8	020060-45	Spring & Tube Repair Kit
9	020061-45	Valve Stem Repair Kit
10	020063-45	Valve Body Repair Kit
11	001359-40	Hex Bushing, 1/2" NPT Male x 3/8" NPT Female
12	B-TEE-RGD	3/8" NPT Rigid Tee
13	B-0109-01	6" Wall Bracket
14	000369-40	3/8" NPT x 18" Riser
15	EZ-K	EasyInstall Kit: Nut, Bushing, O-ring & Lock Washer
16	018506-19NS	Blue Button Index, Press-in
17	000925-45	Lab Handle Screw
18	012395-25NS	Quarter-Turn Cerama Cartridge, LTC w/ Check Valve
19	012447-25NS	Quarter-Turn Cerama Cartridge, LTC w/ Check Valve, Lever Handle, Index & Screw
20	019376-40	Escutcheon Lock Nut
21	019612-40	8" c/c Brass Escutcheon
22	000999-45	Brass Lock Washer
23	002954-45	Shank Lock Nut
24	150A	1/4" NPT Tailpiece & Nut
25	012446-25NS	Quarter-Turn Cerama Cartridge, RTC w/ Check Valve, Lever Handle, Index & Screw
26	012394-25NS	Quarter-Turn Cerama Cartridge, RTC w/ Check Valve
27	001638-45NS	Lever Handle (New Style)
28	001193-19NS	Red Button Index, Press-in
29	B-0155-CR-LN	EasyInstall Cerama Add-On Faucet, Less Nozzle
30	B-PT	Full Flow Stream Regulator, 55/64-27
31	062X	12" Swing Nozzle w/ Stream Regulator Outlet
32	020064-45	PRU Control Valve Seal Repair Kit
33	021047-40	Hose, Sprayer & Swivel

Product Specifications:
 EasyInstall Pull-Down Pre-Rinse Unit: 8" Deck Mount Workboard Faucet, Quarter-Turn Cerama Cartridges w/ Check Valves, Add-On Faucet w/ 12" Swing Nozzle, Lever Handles, 18" Riser, 30" Flexible Stainless Steel Hose, 1.07 GPM Sprayer w/ Ball-Joint Swivel, Accessory Tee, 6" Wall Bracket & 1/2" NPT Male Inlets

Product Compliance:
 ASME A112.18.1 / CSA B125.1
 NSF 61 - Section 9
 NSF 372 (Low Lead Content)
 2019 DOE PRSV - Class II