



Deck Mounting Mixing Faucet

Architect/Engineering Specifications:

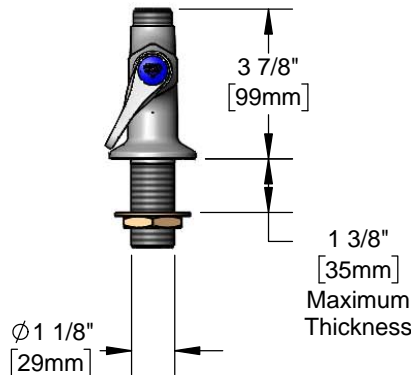
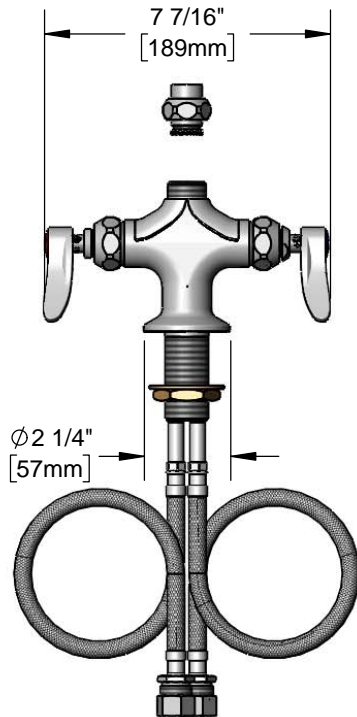
Single hole deck mount mixing faucet, compression cartridges with spring checks, lever handles and 18" flexible stainless steel supply hoses w/ 1/2" NPSM / 5/8" compression connections . Certified to ASME A12.18.1/CSA B125.1, NSF 61- Section 9 and NSF 372. Meets ADA ANSI/ICC A117.1 requirements.

Job Name _____

Model Specified _____ Quantity _____

Variations Specified _____

Date _____



Features & Benefits:

- Single hole deck mount mixing faucet w/ polished chrome plated brass body
- Swivel outlet accepts T&S swing nozzles and EasyInstall risers
- Includes EZ-K kit to convert existing rigid outlet to EasyInstall
- Quarter-turn Eterna compression cartridges with spring checks to prevent the cross flow of water
- Lever handles
- $\phi 1 1/8''$ inlet shank
- 18" flexible stainless steel supply hoses w/ 1/2" NPSM / 5/8" compression connections
- Material: Chrome plated brass

Product Compliance:

- ASME A112.18.1 / CSA B125.1
- NSF 61 - Section 9
- NSF 372 (Low Lead Content)
- ANSI A117.1 (ADA)

Warranty: One Year (Limited)

Performance Data:

- Pressure: 20 - 125 psi
- Temperature: 40 °F - 140 °F
- Flow Rate: 8.10 GPM @ 60 psi

(Outlet Device &/or Final Configuration May Reduce Flow Rate)



ADA Compliant

