



Medical and Lavatory Faucets

B-0892-QT-133XP

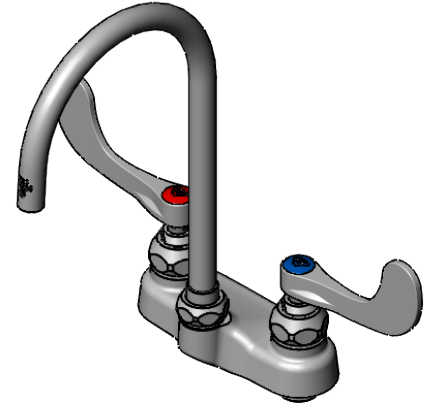
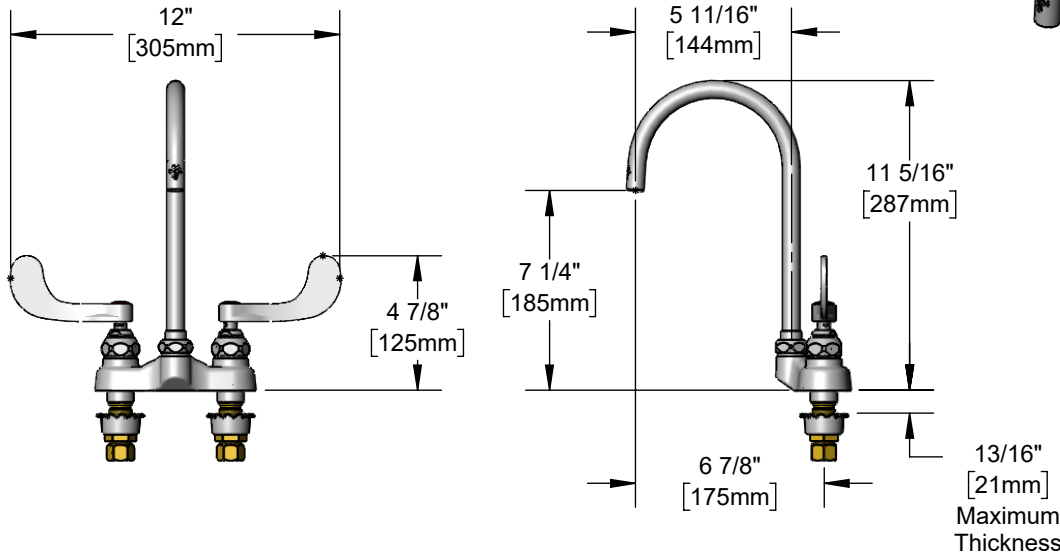
TAG:

Centerset Lavatory Faucet

Architect/Engineering Specifications:

4" deck mount mixing faucet with polished chrome plated brass body, 5 11/16" plain end laminar swivel/rigid gooseneck, 1.5 GPM flow disc in swivel piece, compression cartridges with spring checks, 4" wrist action handles and 1/2" NPSM male inlets with compression nuts. Certified to ASME A112.18.1/CSA B125.1, NSF 61-Section 9 and NSF 372. Meets ADA ANSI/ICC A117.1 requirements.

Job Name _____
 Model Specified _____ Quantity _____
 Variations Specified _____
 Date _____



Features & Benefits:

- 4" deck mount mixing faucet w/ polished chrome plated brass body
- 5 11/16" plain end laminar swivel/rigid gooseneck
- Lock washer included for rigid applications
- 1.5 GPM flow disc in swivel piece
- Quarter-turn Eterna compression cartridges with spring checks to prevent crossflow of water
- 4" wrist action handles with color coded indexes
- 1/2" NPSM male inlets with coupling nuts
- Material: Polished chrome plated brass body and tubular spout, chrome plated metal handles

Product Compliance:

- ASME A112.18.1 / CSA B125.1
- NSF 61 - Section 9
- NSF 372 (Low Lead Content)
- ANSI A117.1 (ADA)
- EPA WaterSense

Warranty: One Year (Limited)

Performance Data:

- Pressure: 20 - 125 psi [1.38 - 8.62 bar]
- Temperature: 40°F - 140°F [4.44°C - 60°C]
- Flow Rate: 1.5 GPM [5.68 L/min] @ 60 psi [4.14 bar]



ADA Compliant



Optional Flow Disc

GPM	Model No	Optional Handles
0.5	<input type="checkbox"/> FD05	<input type="checkbox"/> 4" Wrist Action (Standard)
1.0	<input type="checkbox"/> FD10	<input type="checkbox"/> 4-Arm
1.2	<input type="checkbox"/> FD12	<input type="checkbox"/> Lever
1.5	Standard	
2.2	<input type="checkbox"/> FD22	

Optional Cartridges

- Quarter-Turn Cerama w/ Check Valve
- Quarter-Turn Eterna w/ Spring Check (Standard)
- Metering



T&S BRASS AND BRONZE WORKS, INC.



• 2 Saddleback Cove • Travelers Rest, SC 29690
 Ph 800-476-4103 • Fax 864-834-3518
 • Simi Valley, CA • Ph 800-423-0150 • www.tsbrass.com

Date: 03/14/23