



**T&S BRASS AND BRONZE WORKS, INC.**  
 2 Saddleback Cove / P.O. Box 1088  
 Travelers Rest, SC 29690

Model No.

**B-0692**

Item No.

Travelers Rest, SC: 800-476-4103 • Simi Valley, CA: 800-423-0150 • Fax: 864-834-3518 • www.tsbrass.com

This Space for Architect/Engineer Approval

Job Name \_\_\_\_\_ Date \_\_\_\_\_

Model Specified \_\_\_\_\_ Quantity \_\_\_\_\_

Customer/Wholesaler \_\_\_\_\_

Contractor \_\_\_\_\_

Architect/Engineer \_\_\_\_\_



Mounting Surface

B-0929-A  
 1/2" NPT Elevated  
 Vacuum Breaker

3 5/8"  
 [92mm]

1/2" NPT  
 Female Outlet

1/2" NPT  
 Female Inlet

Ø 2"  
 [51mm]  
 Flanges

3 3/4"  
 [95mm]



1/2" NPT  
 Female Outlet

Shut-Off Valve  
 w/ Key

1 1/4-14 Male  
 Thread for T&S  
 Union Coupling Nut

1/2" NPT  
 Female Inlet

Ø 2 3/4"  
 [70mm]  
 Adjustable  
 Flange



Spout w/ Extension  
 & Garden Hose  
 Male Outlet

3 13/16"  
 [97mm]

2 1/4"  
 [57mm]  
 Minimum

Ø 2"  
 [51mm]  
 Flange



Product Specifications:

Spout w/ Garden Hose Male Outlet, Concealed Loose Key Shut-Off Valve & Elevated Vacuum Breaker

Product Compliance:

ASME A112.18.1 / CSA B125.1  
 NSF 61 - Section 9  
 NSF 372 (Low Lead Content)  
 ASSE 1001 (VB)



# T&S BRASS AND BRONZE WORKS, INC.

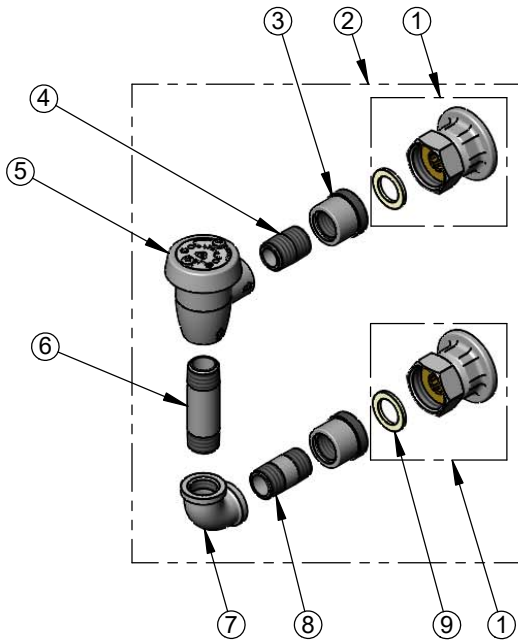
2 Saddleback Cove / P.O. Box 1088  
Travelers Rest, SC 29690

Model No.

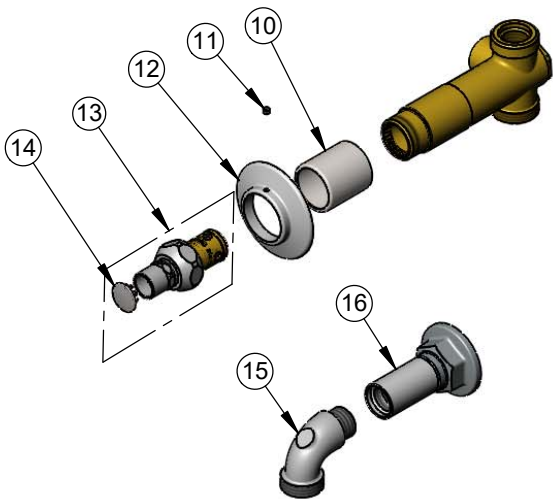
**B-0692**

Item No.

Travelers Rest, SC: 800-476-4103 • Simi Valley, CA: 800-423-0150 • Fax: 864-834-3518 • www.tsbrass.com



ITEM NO.	SALES NO.	DESCRIPTION
1	00AA	1/2" NPT Female Eccentric Flange
2	B-0929-A	1/2" NPT Atmospheric Vacuum Breaker
3	000870-40	BL-6520-01 Male Half Union
4	002534-25	Close Nipple, 1/2" NPT
5	B-0969	1/2" NPT Vacuum Breaker
6	001510-40	Nipple, 1/2" x 2 5/8"
7	001357-40	Cast Elbow, 1/2"
8	001509-40	Nipple, 1/2" NPT X 1 1/2"
9	001019-45	Coupling Nut Washer
10	151F	Escutcheon Tube
11	000939-45	Escutcheon, Set Screw
12	001501-40	Escutcheon
13	124A-NS	Loose Key Stop w/ T-Handle, Screw & Cap
14	001605-45	Cap
15	001618-40	Spout, Short
16	B-0446	Inlet Extension



**Product Specifications:**

Spout w/ Garden Hose Male Outlet, Concealed Loose Key Shut-Off Valve & Elevated Vacuum Breaker

**Product Compliance:**

ASME A112.18.1 / CSA B125.1  
NSF 61 - Section 9  
NSF 372 (Low Lead Content)  
ASSE 1001 (VB)