



T&S BRASS AND BRONZE WORKS, INC.
 2 Saddleback Cove / P.O. Box 1088
 Travelers Rest, SC 29690

Model No.
B-7102-01M

Item No.

Travelers Rest, SC: 800-476-4103 • Simi Valley, CA: 800-423-0150 • Fax: 864-834-3518 • www.tsbrass.com

This Space for Architect/Engineer Approval

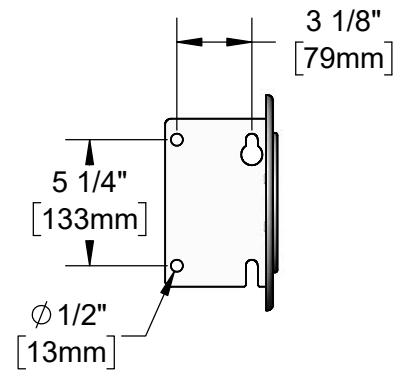
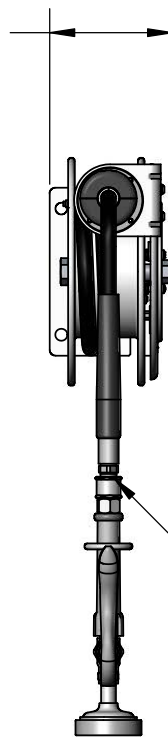
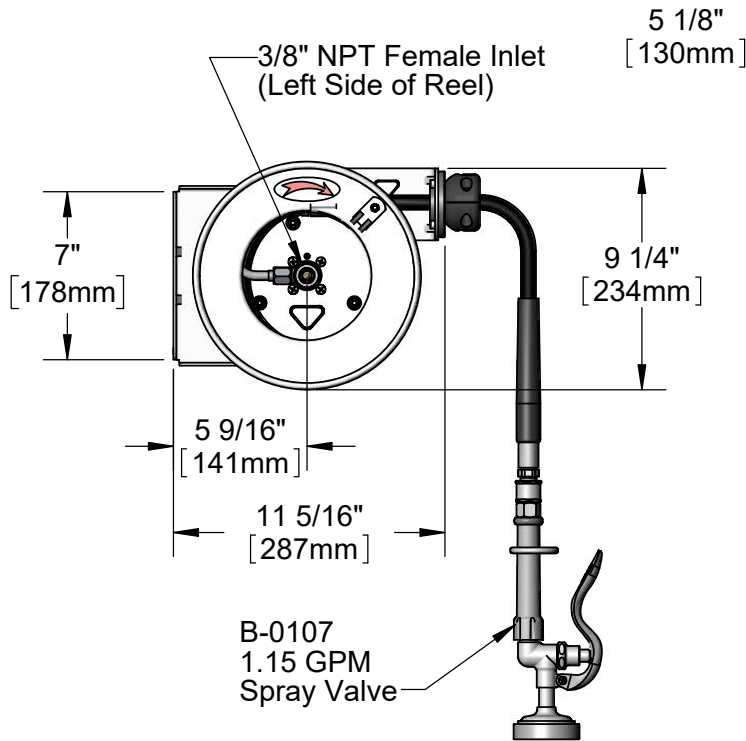
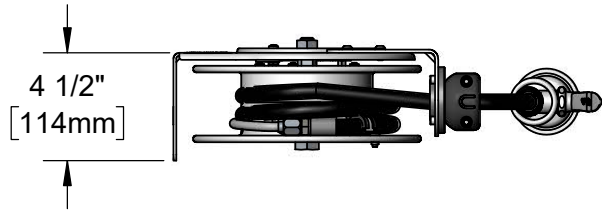
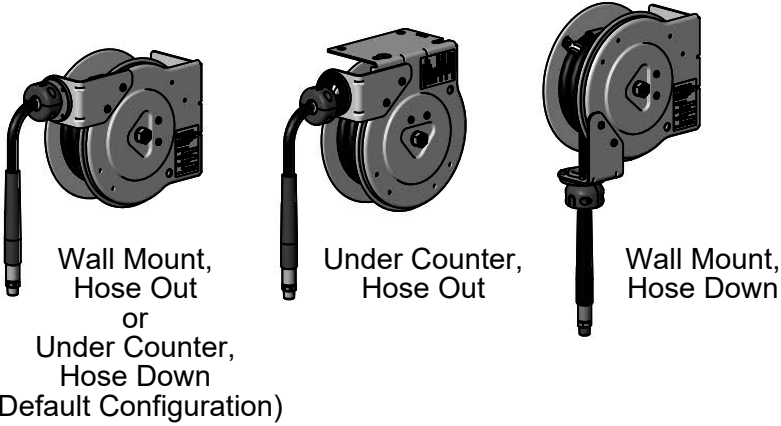
Job Name _____ Date _____

Model Specified _____ Quantity _____

Customer/Wholesaler _____

Contractor _____

Architect/Engineer _____



Mounting Hole Details

019652-40
 3/8" NPT
 Live Swivel

Product Specifications:

3/8" x 12' Open Stainless Steel Reel w/ 1.15 GPM Spray Valve w/ Swivel

Product Compliance:

NSF 61 Exempt (Non-Potable)
 2019 DOE PRSV - Class II



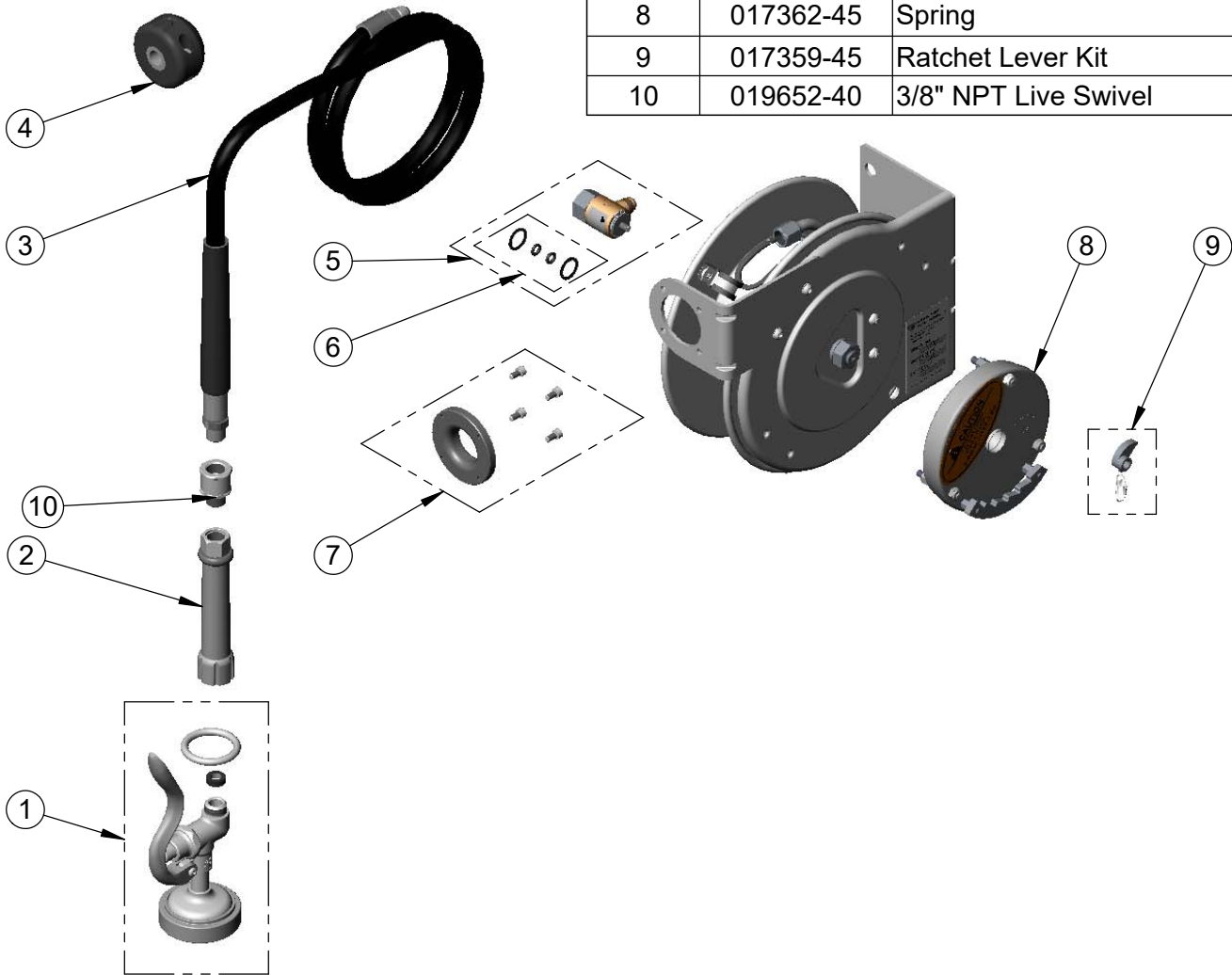
T&S BRASS AND BRONZE WORKS, INC.
 2 Saddleback Cove / P.O. Box 1088
 Travelers Rest, SC 29690

Model No.
B-7102-01M

Item No.

Travelers Rest, SC: 800-476-4103 • Simi Valley, CA: 800-423-0150 • Fax: 864-834-3518 • www.tsbrass.com

ITEM NO.	SALES NO.	DESCRIPTION
1	B-0107	1.15 GPM Spray Valve (Gray)
2	002881-40	Grip Handle (Gray) w/ Washer
3	017938-45	3/8" x 12' Hose Replacement Kit
4	019246-45	Hose Stop Repair Kit
5	017355-45	Swivel Repair Kit
6	014948-45	O-Ring Replacement Kit
7	017352-45	Guide Bushing Kit
8	017362-45	Spring
9	017359-45	Ratchet Lever Kit
10	019652-40	3/8" NPT Live Swivel



Product Specifications:
 3/8" x 12' Open Stainless Steel Reel w/ 1.15 GPM Spray Valve w/ Swivel

Product Compliance:
 NSF 61 Exempt (Non-Potable)
 2019 DOE PRSV - Class II