



**T&S BRASS AND BRONZE WORKS, INC.**  
 2 Saddleback Cove / P.O. Box 1088  
 Travelers Rest, SC 29690

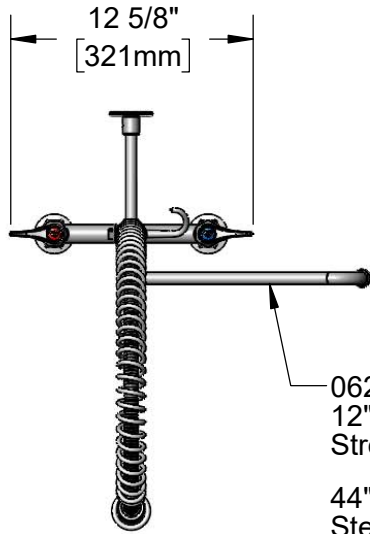
Model No.  
**B-0123-12CRBJST**

Item No.

Travelers Rest, SC: 800-476-4103 • Simi Valley, CA: 800-423-0150 • Fax: 864-834-3518 • www.tsbrass.com

This Space for Architect/Engineer Approval

Job Name \_\_\_\_\_ Date \_\_\_\_\_  
 Model Specified \_\_\_\_\_ Quantity \_\_\_\_\_  
 Customer/Wholesaler \_\_\_\_\_  
 Contractor \_\_\_\_\_  
 Architect/Engineer \_\_\_\_\_



062X  
 12" Swing Nozzle w/  
 Stream Regulator Outlet

44" Flexible Stainless  
 Steel Hose w/ Spring  
 & Spray Valve

Items Not  
 Shown for  
 Clarity

B-TEE-RGD  
 Tee for Accessory Fittings

Direction of Tee is Discretion  
 of End-User During Installation

018200-40  
 Pre-Rinse Swivel

Finger Hook

B-0107-J  
 1.07 GPM  
 Spray Valve

3/8" NPT x  
 18" Riser

EasyInstall  
 Lock Nut  
 & Bushing

12"  
 [305mm]

14 1/2"  
 [369mm]

11 3/8"  
 [289mm]

11 5/16"  
 [288mm]

6 13/16"  
 [174mm]

5 1/8"  
 [130mm]

8"  
 [203mm]

Adjustable From  
 7 3/4" to 8 1/4"  
 [197mm to 210mm]

Quarter-Turn Cerama  
 Cartridges w/ Check  
 Valves & Lever Handles  
 w/ Color Coded Indexes

41 3/4"  
 [1060mm]

B-0109-01  
 6" Wall  
 Bracket

2 5/16"  
 [59mm]

EasyInstall  
 Add-On  
 Faucet w/  
 Quarter-Turn  
 Cerama  
 Cartridge &  
 Lever Handle

Mounting  
 Surface

14 1/8"  
 [358mm]

**Product Specifications:**

Pre-Rinse Unit: EasyInstall 8" Deck Mount Mixing Faucet, Quarter-Turn Cerama Cartridges w/ Check Valves, Lever Handles, Add-On Faucet w/ 12" Swing Nozzle, 44" Flexible Stainless Steel Hose, 1.07 GPM Spray Valve w/ Swivel, 6" Wall Bracket, Accessory Fitting Tee & 1/2" NPT Female Inlets

**Product Compliance:**

ASME A112.18.1 / CSA B125.1  
 NSF 61 - Section 9  
 NSF 372 (Low Lead Content)  
 2019 DOE PRSV - Class II



# T&S BRASS AND BRONZE WORKS, INC.

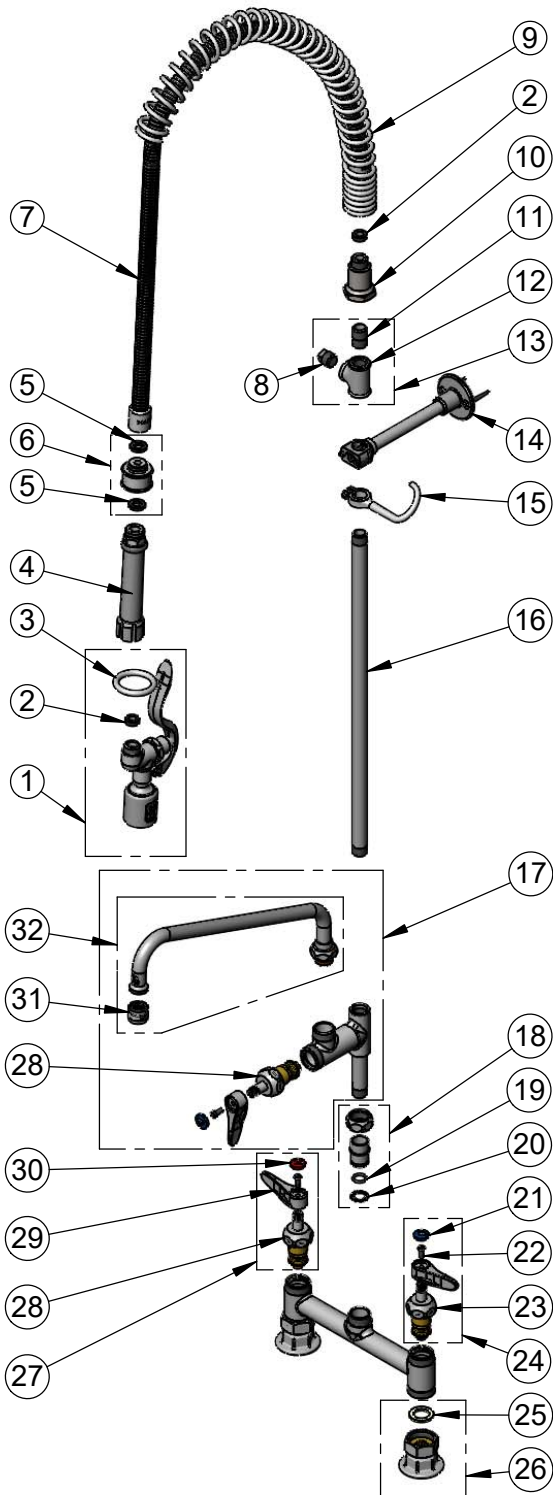
2 Saddleback Cove / P.O. Box 1088  
Travelers Rest, SC 29690

Model No.

**B-0123-12CRBJST**

Item No.

Travelers Rest, SC: 800-476-4103 • Simi Valley, CA: 800-423-0150 • Fax: 864-834-3518 • www.tsbrass.com



| ITEM NO. | SALES NO.   | DESCRIPTION                                                                                    |
|----------|-------------|------------------------------------------------------------------------------------------------|
| 1        | B-0107-J    | 1.07 GPM Spray Valve                                                                           |
| 2        | 010476-45   | #27 Washer                                                                                     |
| 3        | 000907-45   | Spray Valve Hold Down Ring                                                                     |
| 4        | 002987-40   | Grip Handle                                                                                    |
| 5        | 001014-45   | Washer, B-0100 Hose Barrel                                                                     |
| 6        | 018200-40   | Pre-Rinse Swivel                                                                               |
| 7        | B-0044-H2A  | 44" Flexible Stainless Steel Hose, Less Handle                                                 |
| 8        | 002369-25   | 3/8" NPT Plug                                                                                  |
| 9        | 000888-45   | EasyInstall Overhead Spring                                                                    |
| 10       | 000821-40   | Spring Body                                                                                    |
| 11       | 002535-25   | 3/8" NPT Close Nipple                                                                          |
| 12       | 001614-40   | 3/8" NPT Tee                                                                                   |
| 13       | B-TEE-RGD   | Rigid Tee                                                                                      |
| 14       | B-0109-01   | 6" Wall Bracket                                                                                |
| 15       | 004R        | Finger Hook                                                                                    |
| 16       | 000369-40   | 3/8" NPT x 18" Riser                                                                           |
| 17       | B-0156-CR   | Add-On Faucet w/ Quarter-Turn Cerama Cartridge w/ Check Valve, Handle, Blue Index & Screw, RTC |
| 18       | EZ-K        | EasyInstall Kit: Nut, Bushing, O-ring & Lock Washer                                            |
| 19       | 006562-45   | O-ring                                                                                         |
| 20       | 014200-45   | Star Washer, Anti-Rotation                                                                     |
| 21       | 018506-19NS | Blue Button Index, Press-in                                                                    |
| 22       | 000925-45   | Lab Handle Screw                                                                               |
| 23       | 012395-25NS | Quarter-Turn Cerama Cartridge, LTC w/ Check Valve                                              |
| 24       | 012447-25NS | Quarter-Turn Cerama Cartridge, LTC w/ Check Valve, Handle, Index & Screw                       |
| 25       | 001019-45   | Coupling Nut Washer                                                                            |
| 26       | 00AA        | 1/2" NPT Female Eccentric Flange                                                               |
| 27       | 012446-25NS | Quarter-Turn Cerama Cartridge, RTC w/ Check Valve, Handle, Index & Screw                       |
| 28       | 012394-25NS | Quarter-Turn Cerama Cartridge, RTC w/ Check Valve                                              |
| 29       | 001638-45NS | Lever Handle (New Style)                                                                       |
| 30       | 001193-19NS | Red Button Index, Press-in                                                                     |
| 31       | B-PT        | Stream Regulator Outlet                                                                        |
| 32       | 062X        | 12" Swing Nozzle                                                                               |

**Product Specifications:**

Pre-Rinse Unit: EasyInstall 8" Deck Mount Mixing Faucet, Quarter-Turn Cerama Cartridges w/ Check Valves, Lever Handles, Add-On Faucet w/ 12" Swing Nozzle, 44" Flexible Stainless Steel Hose, 1.07 GPM Spray Valve w/ Swivel, 6" Wall Bracket, Accessory Fitting Tee & 1/2" NPT Female Inlets

**Product Compliance:**

ASME A112.18.1 / CSA B125.1  
NSF 61 - Section 9  
NSF 372 (Low Lead Content)  
2019 DOE PRSV - Class II