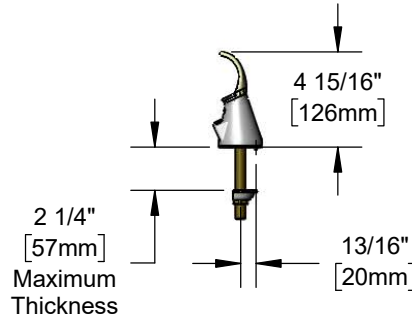
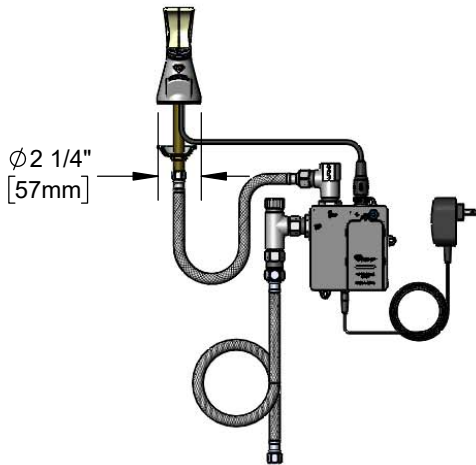




**Architect/Engineering Specifications:**

Single hole, deck mount electronic sensor bubbler with polished chrome plated brass body, rubber mouth guard, AC/DC control module with internal flow control setting switches, flow control valve and 18" flexible stainless steel supply hose with 3/8" compression connection. Certified to ASME A112.18.1/CSA B125.1, NSF 61-Section 9, NSF 372 and UL 1951. Meets ADA ANSI/ICC A117.1 requirements.

Job Name \_\_\_\_\_  
 Model Specified \_\_\_\_\_ Quantity \_\_\_\_\_  
 Variations Specified \_\_\_\_\_  
 Date \_\_\_\_\_



**Features & Benefits:**

- Single hole, deck mount electronic sensor bubbler
- Polished chrome plated brass body
- Rubber mouth guard
- Water resistant control module w/ internal flow control switches for adjusting auto time out & shut off delay settings
- Optional auto flush feature flows water for 30 seconds after every 12 inactive hours
- Plug in AC adapter or (4) AA battery (DC) power options
- Adjustable flow control valve
- 18" flexible stainless steel supply hose with 3/8" compression connection
- Low battery LED indicator light
- Material: Polished chrome plated brass bodies

**Product Compliance:**

- ASME A112.18.1 / CSA B125.1
- NSF 61 - Section 9
- NSF 372 (Low Lead Content)
- ANSI A117.1 (ADA)
- UL 1951



**Warranty:** Three Year (Limited)

**Performance Data:**

- Pressure: 20 - 125 psi [1.38 - 8.62 bar]
- Temperature: 40 °F - 140 °F [4.44 °C - 60 °C]
- Flow Rate: @4" Distance = .29 GPM [1.10 L/min] @ 60 psi [4.14 bar]
- Water Consumption: @10 sec=.05 gal [.19 L]  
@15 sec=.07 gal [.26 L]

