



# T&S BRASS AND BRONZE WORKS, INC.

2 Saddleback Cove / P.O. Box 1088  
Travelers Rest, SC 29690

Model No.

**BL-5704-08**

Item No.

Travelers Rest, SC: 800-476-4103 • Simi Valley, CA: 800-423-0150 • Fax: 864-834-3518 • www.tsbrass.com



**ADA Compliant**

This Space for Architect/Engineer Approval

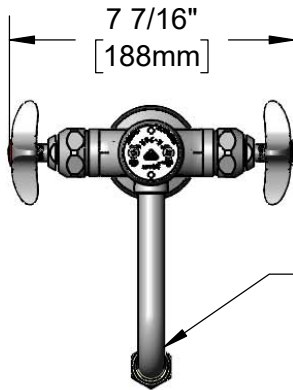
Job Name \_\_\_\_\_ Date \_\_\_\_\_

Model Specified \_\_\_\_\_ Quantity \_\_\_\_\_

Customer/Wholesaler \_\_\_\_\_

Contractor \_\_\_\_\_

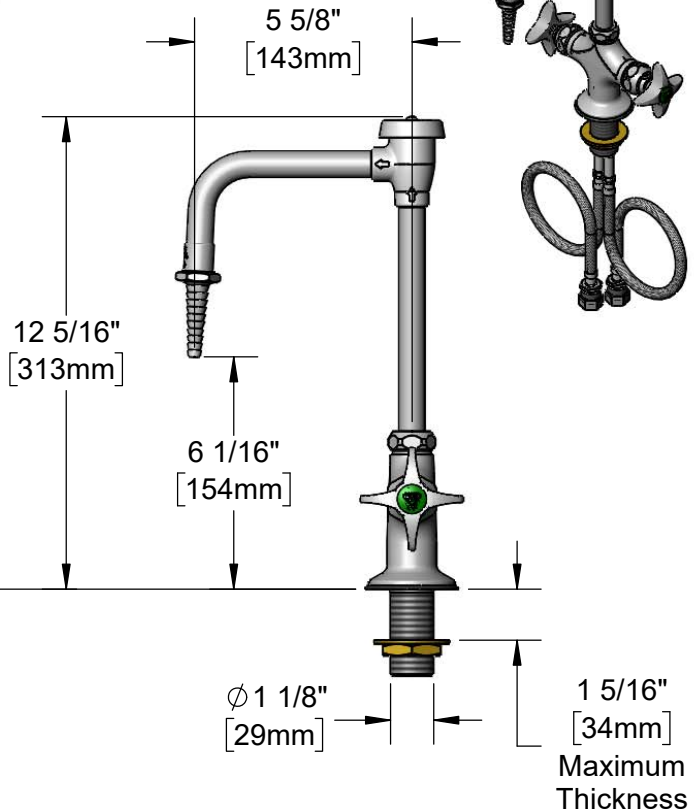
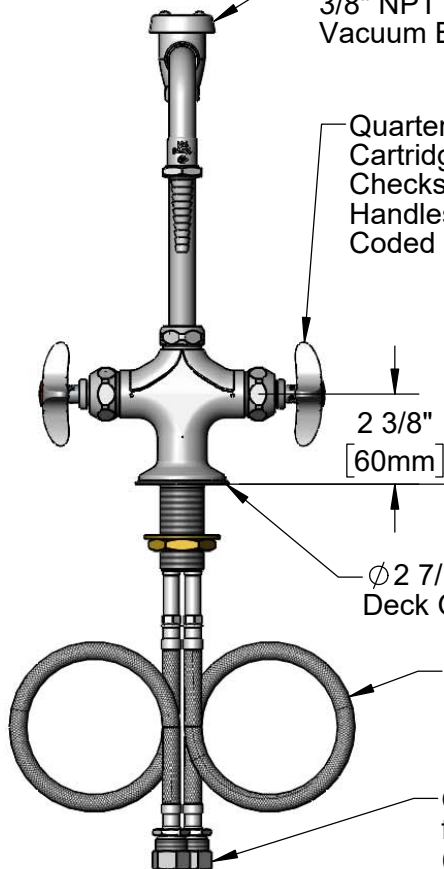
Architect/Engineer \_\_\_\_\_



BL-5560-03  
Swivel Vacuum Breaker  
Nozzle w/ Serrated Tip Outlet  
& 0.5 GPM Flow Control.  
Converts to Rigid w/  
014200-45 Lock Washer  
(Included).

B-0968  
3/8" NPT  
Vacuum Breaker

Quarter-Turn Eterna  
Cartridges w/ Spring  
Checks & 4-Arm  
Handles w/ Color  
Coded Indexes



18" Flexible  
Stainless Steel  
Supply Hoses

Compression Fittings  
for 5/8" O.D. Copper Tubing  
(Remove Compression Nut  
for 1/2" NPSM Male)

Rough-In Requirement:  
Ø 1 1/2" [38mm] Mounting Hole

### Product Specifications:

Single Hole Deck Mount Mixing Faucet, Quarter-Turn Eterna Cartridges w/ Spring Checks, 4-Arm Handles, Swivel Vacuum Breaker Nozzle, Serrated Tip w/ 0.5 GPM Flow Control & 18" Flexible Stainless Steel Supply Hoses w/ 1/2" NPSM Male Inlets

### Product Compliance:

ASME A112.18.1 / CSA B125.1  
NSF 61 - Section 9  
NSF 372 (Low Lead Content)  
ANSI A117.1 (ADA)  
ASSE 1001 (VB)



# T&S BRASS AND BRONZE WORKS, INC.

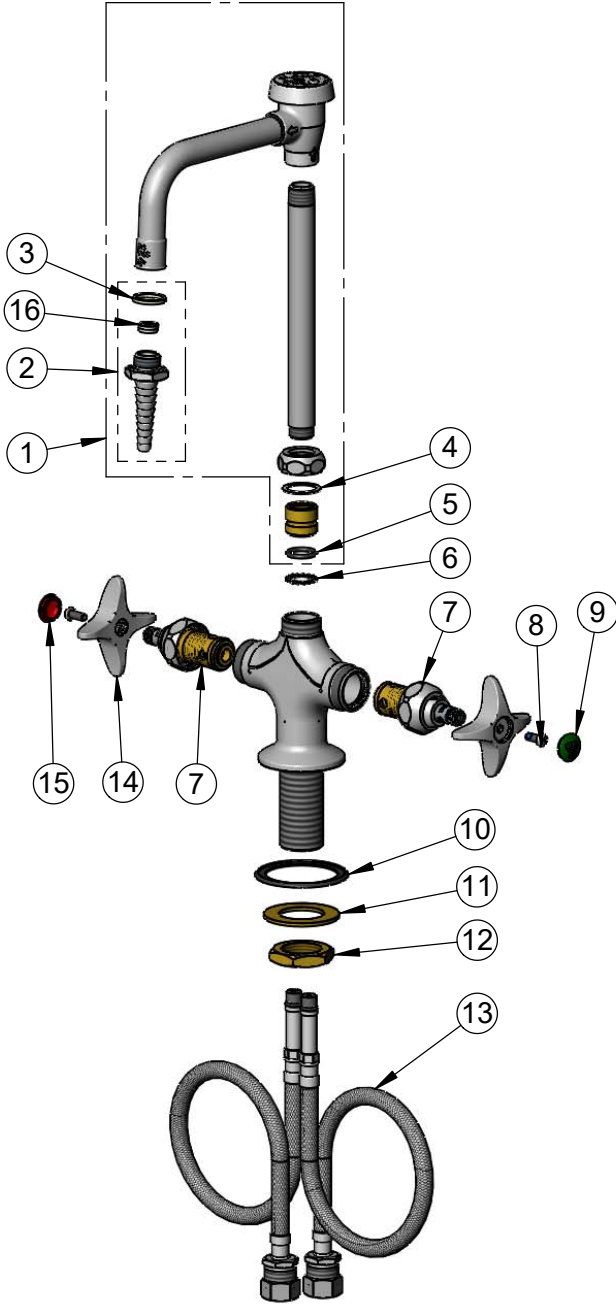
2 Saddleback Cove / P.O. Box 1088  
Travelers Rest, SC 29690

Model No.

**BL-5704-08**

Item No.

Travelers Rest, SC: 800-476-4103 • Simi Valley, CA: 800-423-0150 • Fax: 864-834-3518 • www.tsbrass.com



| ITEM NO. | SALES NO.   | DESCRIPTION  |
|----------|-------------|--|
| 1        | BL-5560-03  | Swivel Vacuum Breaker Nozzle w/ Serrated Tip & 0.5 GPM Flow Disc |
| 2        | B-0198-FD05 | Serrated Tip w/ 0.5 GPM Flow Disc & Washer                       |
| 3        | 001051-45   | Washer   |
| 4        | 009538-45   | Swivel Washer  |
| 5        | 001074-45   | O-ring   |
| 6        | 014200-45   | Star Washer, Anti-Rotation                                       |
| 7        | 012443-40NS | Quarter-Turn Eterna Cartridge w/ Spring Check, RTC               |
| 8        | 000925-45   | Lab Handle Screw   |
| 9        | 001191-45NS | Green "CW" Lab Button Index                                      |
| 10       | 145L        | Black Plastic Gasket   |
| 11       | 002290-45   | Lock Washer  |
| 12       | 000965-45   | Lock Nut   |
| 13       | 012534-45   | 18" Flexible Supply Hose (2)                                     |
| 14       | 002521-45NS | 4-Arm Handle (New Style)   |
| 15       | 001194-45NS | Red "HW" Lab Button Index  |
| 16       | FD05        | Flow Disc, 0.5 GPM [ 1.9 L/min.] (Lime)                          |

**Product Specifications:**

Single Hole Deck Mount Mixing Faucet, Quarter-Turn Eterna Cartridges w/ Spring Checks, 4-Arm Handles, Swivel Vacuum Breaker Nozzle, Serrated Tip w/ 0.5 GPM Flow Control & 18" Flexible Stainless Steel Supply Hoses w/ 1/2" NPSM Male Inlets

**Product Compliance:**

ASME A112.18.1 / CSA B125.1  
NSF 61 - Section 9  
NSF 372 (Low Lead Content)  
ANSI A117.1 (ADA)  
ASSE 1001 (VB)