



# Electronic Faucets

## EC-3102-TMV4V05

TAG:

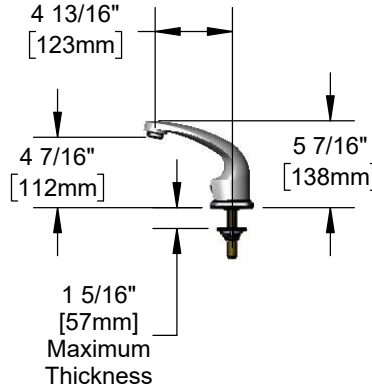
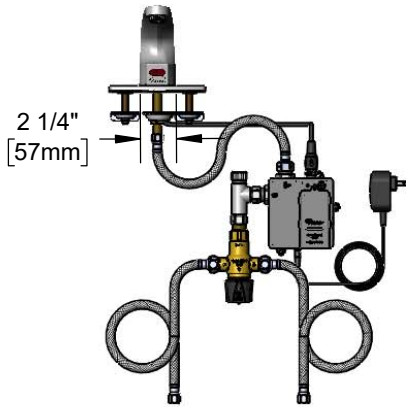


# ChekPoint™ Electronic Sensor Faucet

### Architect/Engineering Specifications:

Single hole deck mount electronic sensor faucet with polished chrome plated brass body with integral spout, 0.5 GPM vandal resistant non-aerated spray device, AC/DC control module with internal flow control setting switches, thermostatic temperature control mixing valve with check valves, 4" c/c deck plate and 18" flexible stainless steel supply hoses with 3/8" compression connections. Certified to ASME A112.18.1/CSA B125.1, NSF 61-Section 9, NSF 372, UL 1951 and ASSE 1070. Meets ADA ANSI/ICC A117.1 requirements.

Job Name \_\_\_\_\_  
 Model Specified \_\_\_\_\_ Quantity \_\_\_\_\_  
 Variations Specified \_\_\_\_\_  
 Date \_\_\_\_\_



### Features & Benefits:

- Single hole deck mount faucet w/ polished chrome plated brass body w/ integral spout
- 4" c/c deck plate with gasket and mounting hardware
- 0.5 GPM vandal resistant non-aerated spray device, Series 8 (B-0199-08-N05)
- Water resistant control module w/ internal flow control switches for adjusting auto time out & shut off delay settings
- Optional auto flush feature flows water for 30 seconds after every 12 inactive hours
- Optional metering mode
- Plug in AC transformer or (4) AA batteries (DC) power options
- Thermostatic temperature mixing valve w/ check valves
- 18" flexible stainless steel supply hoses w/ 3/8" compression connections
- Low battery LED indicator light
- Material: Polished chrome plated brass body and metal deck plate

### Product Compliance:

- ASME A112.18.1 / CSA B125.1
- NSF 61 - Section 9
- NSF 372 (Low Lead Content)
- ANSI A117.1 (ADA)
- UL 1951
- ASSE 1070 (TMV)

**Warranty:** Three Year (Limited)

### Performance Data:

- Pressure: 20 - 125 psi [1.38 - 8.62 bar]
- Temperature: 40°F - 140°F [4.44°C - 60°C]
- Flow Rate: 0.5 GPM [1.9 L/min] @ 60 psi [4.14 bar]
- Water Consumption: @10 sec = .08 gal [.32 L]  
@15 sec = .13 gal [.47 L]



ADA Compliant



### Optional Outlets (Series 3 / VR Series 8)

GPM	Aerated	Non-Aerated (Laminar)	VR Aerated	VR Non-Aerated (VR Laminar)	Optional Deck Plates
0.35	N/A	<input type="checkbox"/> B-0199-03-N035	N/A	<input type="checkbox"/> B-0199-08-N035	<input type="checkbox"/> 4" Chrome Plated Brass Deck Plate (Standard)
0.5	N/A	<input type="checkbox"/> B-0199-03-N05	N/A	Standard	<input type="checkbox"/> 8" Chrome Plated Brass Deck Plate
1.0	<input type="checkbox"/> B-0199-03-F10	N/A	<input type="checkbox"/> B-0199-08-F10	<input type="checkbox"/> B-0199-08-LF10	
1.2	<input type="checkbox"/> B-0199-03-F12	N/A	<input type="checkbox"/> B-0199-08-F12	N/A	
1.5	<input type="checkbox"/> B-0199-03-WS	N/A	<input type="checkbox"/> B-0199-08-WS	<input type="checkbox"/> B-0199-08-LF15	
2.2	<input type="checkbox"/> B-0199-03	<input type="checkbox"/> B-0199-26	<input type="checkbox"/> B-0199-08	<input type="checkbox"/> B-0199-28	



T&S BRASS AND BRONZE WORKS, INC.



• 2 Saddleback Cove • Travelers Rest, SC 29690  
 Ph 800-476-4103 • Fax 864-834-3518  
 • Simi Valley, CA • Ph 800-423-0150 • www.tsbrass.com

Date: 04/05/22