



T&S BRASS AND BRONZE WORKS, INC.
 2 Saddleback Cove / P.O. Box 1088
 Travelers Rest, SC 29690

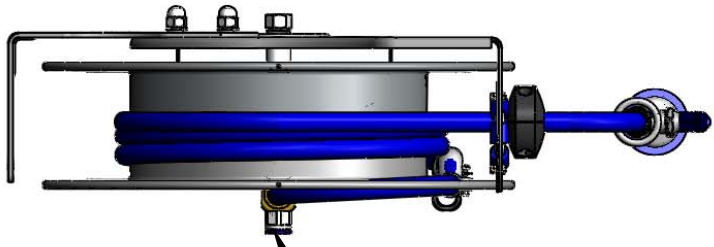
Model No.
B-7143-01

Item No.

Travelers Rest, SC: 800-476-4103 • Simi Valley, CA: 800-423-0150 • Fax: 864-834-3518 • www.tsbrass.com

This Space for Architect/Engineer Approval

Job Name _____ Date _____
 Model Specified _____ Quantity _____
 Customer/Wholesaler _____
 Contractor _____
 Architect/Engineer _____



1/2" NPT Female Inlet
 (Left Side of Reel)

Open Stainless Steel Hose Reel
 50' of 1/2" Hose

Ø 19 5/8"
 [498mm]

9 7/16"
 [240mm]

20 9/16"
 [523mm]

Mounting Hole Details

6 3/16"
 [158mm]

Ø 1/2"
 [13mm]

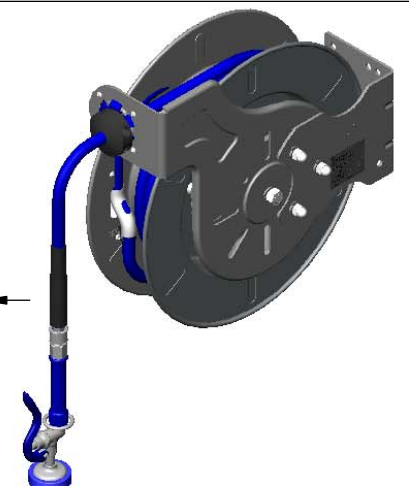
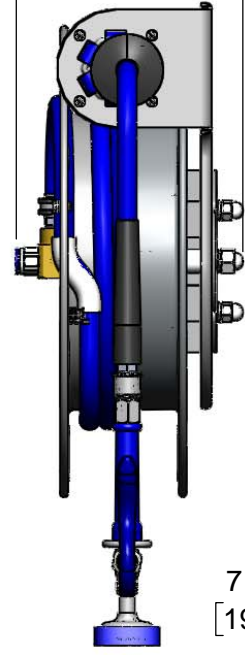
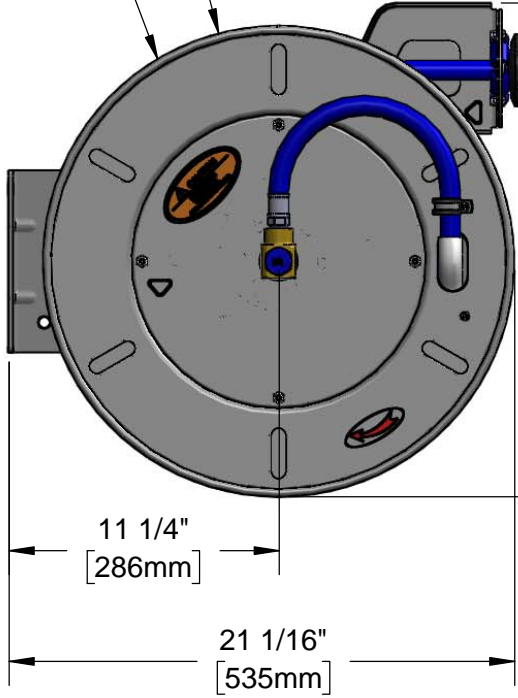
7 9/16"
 [193mm]

6"
 [152mm]

13/16"
 [21mm]

1/2"
 [13mm]

3 1/8"
 [79mm]



019653-40
 1/2" NPT
 Live Swivel

EB-0107
 High Flow
 Spray Valve

Product Specifications:
 1/2" x 50' Open Stainless Steel Reel, High Flow Spray Valve w/ Swivel
 and 1/2" NPT Female Inlet

Product Compliance:
 NSF 61 Exempt (Non-Potable)
 EPA Act 2005 Non-Compliant (PRSV)



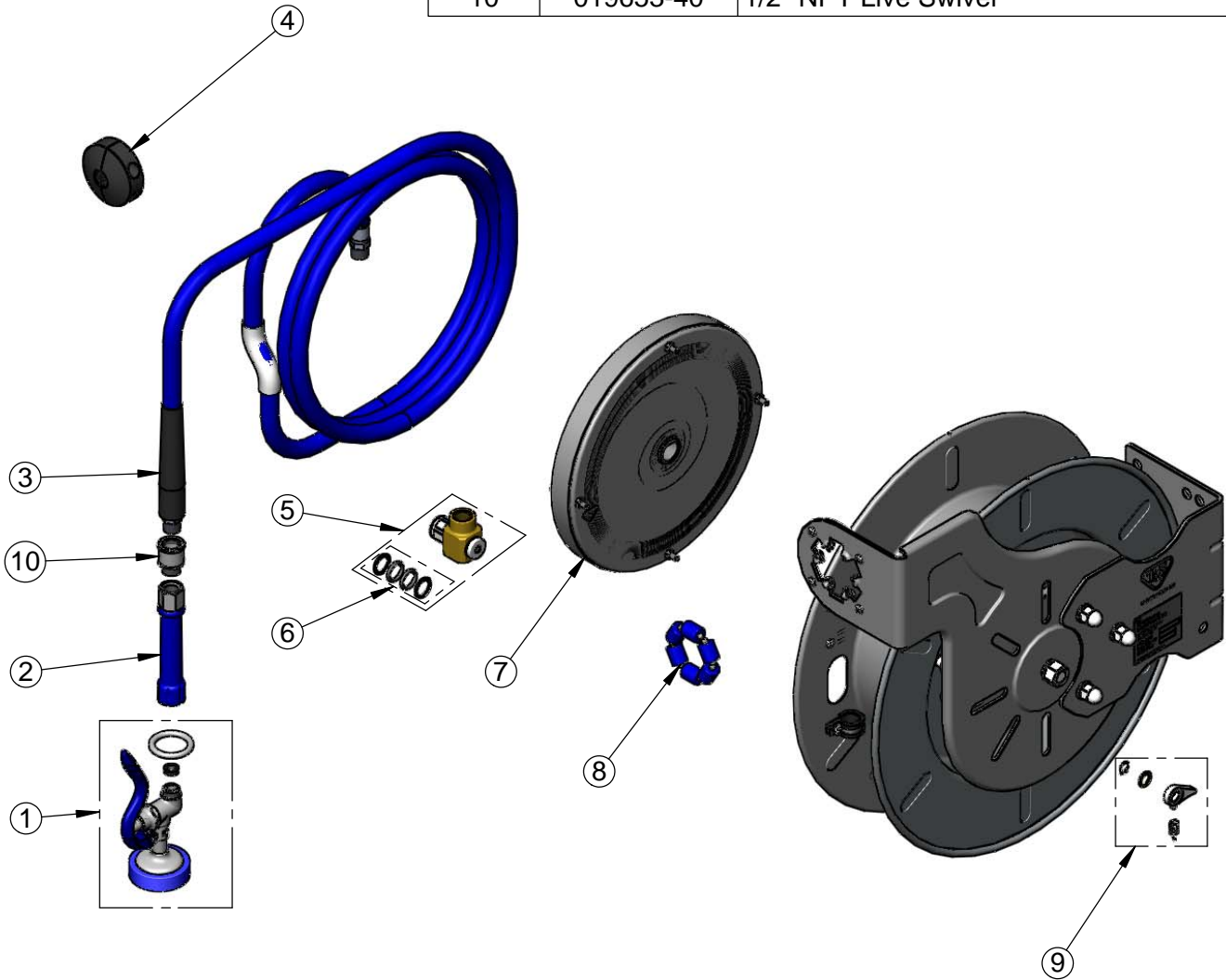
T&S BRASS AND BRONZE WORKS, INC.
 2 Saddleback Cove / P.O. Box 1088
 Travelers Rest, SC 29690

Model No.
B-7143-01

Item No.

Travelers Rest, SC: 800-476-4103 • Simi Valley, CA: 800-423-0150 • Fax: 864-834-3518 • www.tsbrass.com

ITEM NO.	SALES NO.	DESCRIPTION
1	EB-0107	High Flow Spray Valve
2	015082-40	Blue Grip Handle w/ Washer
3	014945-45	1/2" x 50' Hose Replacement Kit
4	019499-45	1/2" Hose Stop Repair Kit
5	014947-45	1/2" Swivel Repair Kit
6	019473-45	O-Ring Replacement Kit
7	014935-45	Large Stainless Steel Spring
8	014938-45	Roller Replacement Kit
9	014940-45	Ratchet Repair Kit
10	019653-40	1/2" NPT Live Swivel



Product Specifications:
 1/2" x 50' Open Stainless Steel Reel, High Flow Spray Valve w/ Swivel
 and 1/2" NPT Female Inlet

Product Compliance:
 NSF 61 Exempt (Non-Potable)
 EPA Act 2005 Non-Compliant (PRSV)