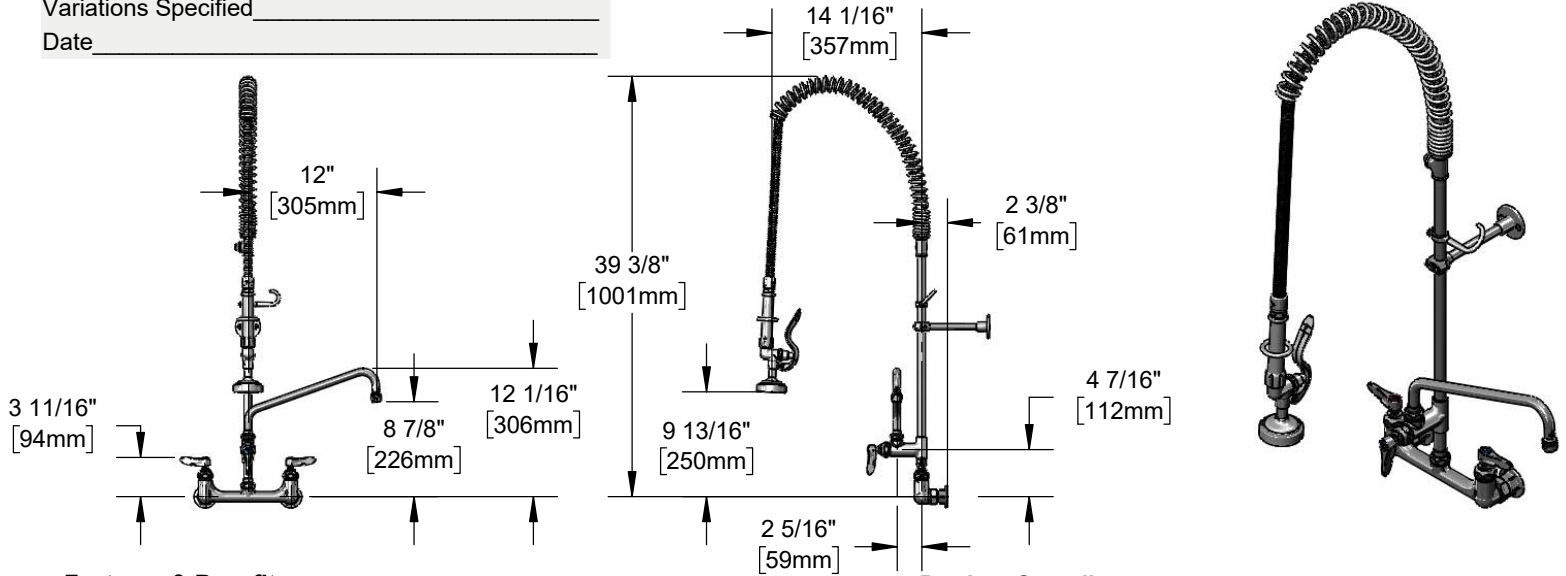




Architect/Engineering Specifications:

8" wall mount mixing faucet with polished chrome plated brass body, add-on faucet with compression cartridge and lever handle, 12" swing nozzle with stream regulator outlet, 18" riser, 44" flexible stainless steel hose with heat resistant handle, 1.15 GPM spray valve, compression cartridges with spring checks, lever handles, 1/2" NPT female inlets, 6" adjustable wall bracket, spray valve holder, accessory tee, and overhead spring. Certified to ASME A112.18.1/CSA B125.1, NSF 61-Section 9 and NSF 372. 2019 DOE PRSV - Class II compliant.

Job Name \_\_\_\_\_
Model Specified \_\_\_\_\_ Quantity \_\_\_\_\_
Variations Specified \_\_\_\_\_
Date \_\_\_\_\_



Features & Benefits:

- 8" wall mount mixing faucet w/ polished chrome plated brass body
EasyInstall add-on faucet w/ polished chrome plated brass body
12" swing nozzle w/ stream regulator outlet, Series 1
18" rigid riser
44" flexible stainless steel hose w/ heat resistant gray handle and hold down ring
1.15 GPM spray valve
Quarter-turn Eterna compression cartridges with spring checks to prevent cross flow of water
Lever handles w/ color coded indexes
1/2" NPT female eccentric inlets with Ø 2" flanges
Adjustable centers from 7 3/4" to 8 1/4"
6" adjustable wall bracket
Tee for accessory fittings
Material: Polished chrome plated brass body, tubular nozzle, add-on faucet body, riser & spray valve body, stainless steel hose, and chrome plated metal handles

Product Compliance:

- ASME A112.18.1 / CSA B125.1
NSF 61 - Section 9
NSF 372 (Low Lead Content)
2019 DOE PRSV - Class II



Warranty: Three Year (Limited)



Performance Data:

- Pressure: 20 - 125 psi
Temperature: 40 °F - 140 °F
Flow Rate:
Spray Valve: 1.15 GPM @ 60 psi
Add-On Faucet: 9.73 GPM @ 60 psi

Optional Add-On Faucet Outlets (Series 1 / VR Series 6)

Table with 3 columns: GPM, Aerated, VR Aerated (VR Laminar). Rows include GPM 1.0, 1.5, 2.2 and corresponding model numbers like B-0199-01-F10, B-0199-06-F10, etc.

Optional Handles Optional Pre-Rinse Spray Valves

- 4" Wrist Action
Lever (Standard)
4-Arm
B-0107 (1.15 GPM) (Standard)
B-0107-C (0.65 GPM)
B-0107-J (1.07 GPM)
B-0108 (1.07 GPM)
B-0108-C (0.65 GPM)

Optional Cartridges With Checks

- Quarter-Turn Cerama w/ Check Valve
Quarter-Turn Eterna w/ Spring Check (Standard)

