



# T&S BRASS AND BRONZE WORKS, INC.

2 Saddleback Cove / P.O. Box 1088  
Travelers Rest, SC 29690

Model No.

**B-0320**

Item No.

Travelers Rest, SC: 800-476-4103 • Simi Valley, CA: 800-423-0150 • Fax: 864-834-3518 • www.tsbrass.com



**ADA Compliant**

This Space for Architect/Engineer Approval

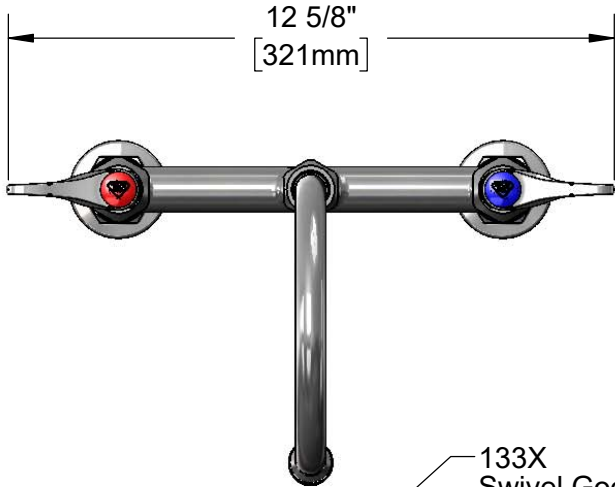
Job Name \_\_\_\_\_ Date \_\_\_\_\_

Model Specified \_\_\_\_\_ Quantity \_\_\_\_\_

Customer/Wholesaler \_\_\_\_\_

Contractor \_\_\_\_\_

Architect/Engineer \_\_\_\_\_

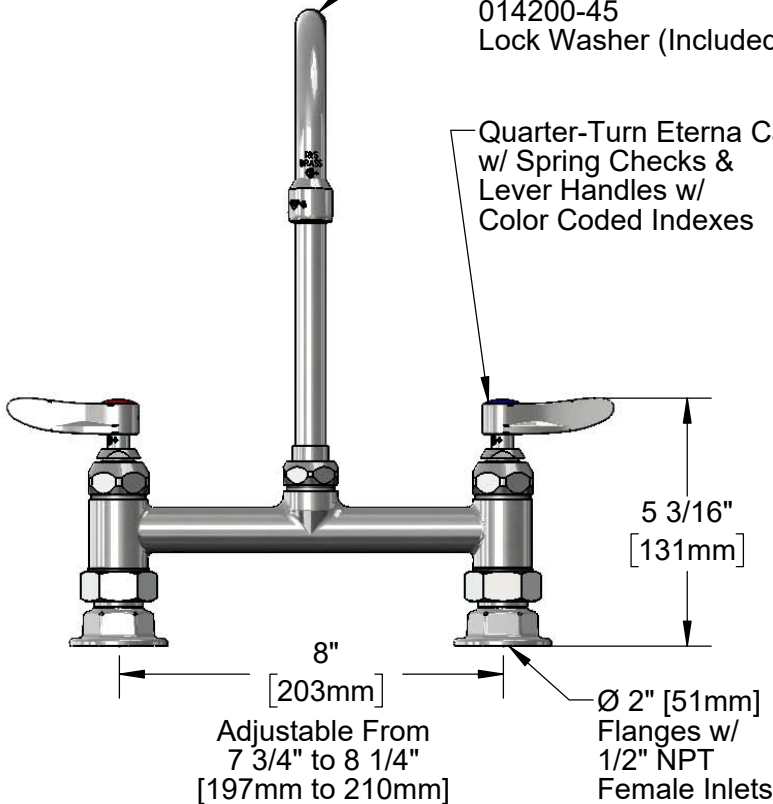


12 5/8"  
[321mm]



133X  
Swivel Gooseneck w/  
Stream Regulator Outlet.  
Converts to Rigid w/  
014200-45  
Lock Washer (Included)

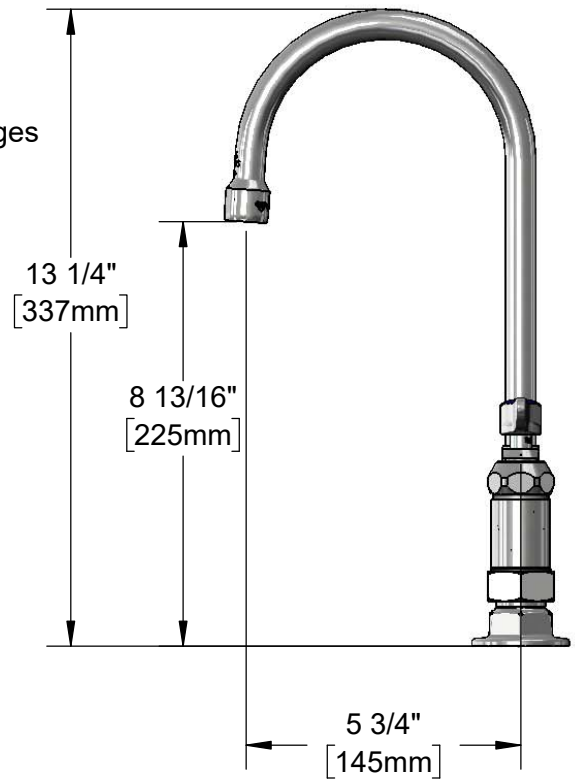
Quarter-Turn Eterna Cartridges  
w/ Spring Checks &  
Lever Handles w/  
Color Coded Indexes



5 3/16"  
[131mm]

8"  
[203mm]  
Adjustable From  
7 3/4" to 8 1/4"  
[197mm to 210mm]

Ø 2" [51mm]  
Flanges w/  
1/2" NPT  
Female Inlets



13 1/4"  
[337mm]

8 13/16"  
[225mm]

5 3/4"  
[145mm]

**Product Specifications:**

8" Deck Mount Mixing Faucet, Quarter-Turn Eterna Cartridges w/ Spring Checks, Lever Handles, 5 3/4" Swivel/Rigid Gooseneck w/ Stream Regulator Outlet & 1/2" NPT Female Inlets

**Product Compliance:**

ASME A112.18.1 / CSA B125.1  
NSF 61 - Section 9  
NSF 372 (Low Lead Content)  
ANSI A117.1 (ADA)



# T&S BRASS AND BRONZE WORKS, INC.

2 Saddleback Cove / P.O. Box 1088  
Travelers Rest, SC 29690

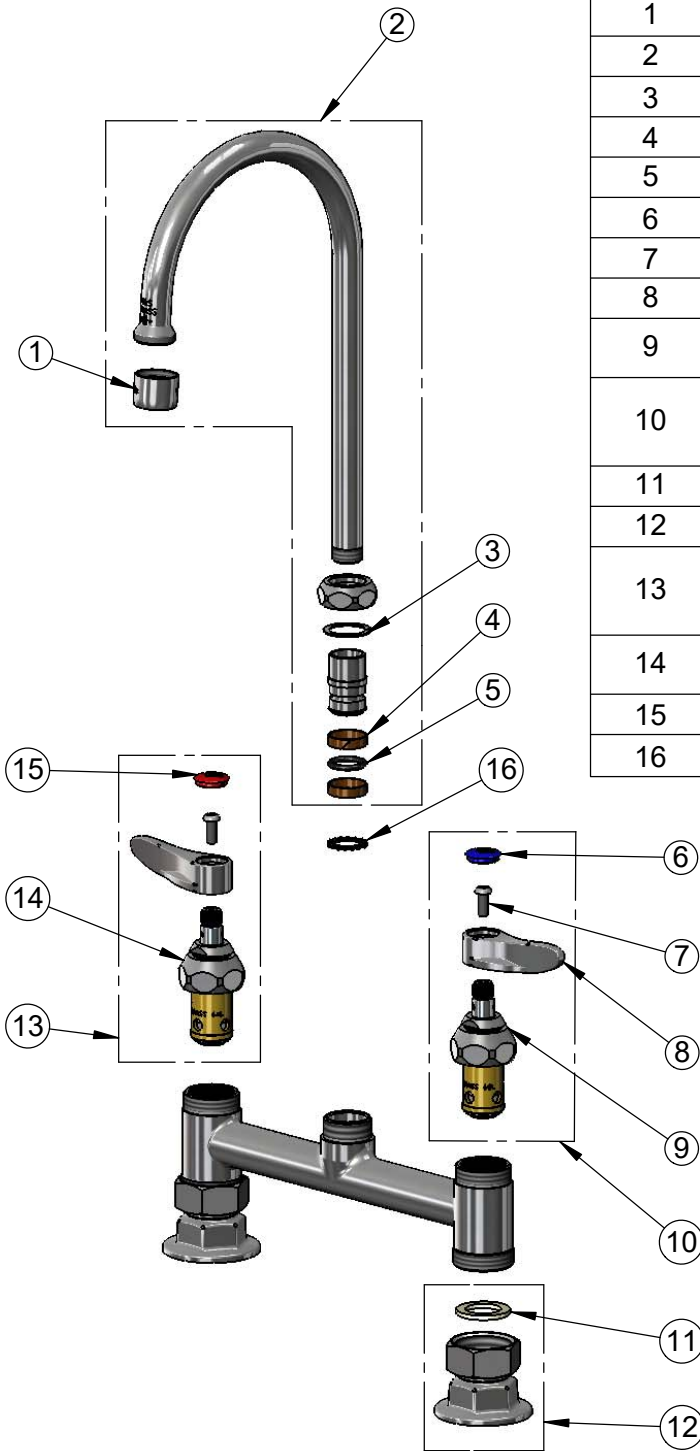
Model No.

**B-0320**

Item No.

Travelers Rest, SC: 800-476-4103 • Simi Valley, CA: 800-423-0150 • Fax: 864-834-3518 • www.tsbrass.com

| ITEM NO. | SALES NO.   | DESCRIPTION   |
|----------|-------------|---|
| 1        | B-PT        | Full Flow Stream Regulator, 55/64-27  |
| 2        | 133X        | 6" Swivel/Rigid Gooseneck   |
| 3        | 009538-45   | Swivel Washer   |
| 4        | 011429-45   | Swivel Sleeves (2)  |
| 5        | 001074-45   | O-Ring  |
| 6        | 018506-19NS | Blue Button Index, Press-in   |
| 7        | 000925-45   | Lab Handle Screw  |
| 8        | 001638-45NS | Lever Handle (New Style)  |
| 9        | 012442-40NS | Quarter-Turn Eterna Cartridge, LTC w/ Spring Check                            |
| 10       | 002711-40NS | Quarter-Turn Eterna Cartridge LTC w/ Spring Check, Handle, Blue Index & Screw |
| 11       | 001019-45   | Coupling Nut Washer   |
| 12       | 00AA        | 1/2" NPT Female Eccentric Flange  |
| 13       | 002712-40NS | Quarter-Turn Eterna Cartridge, RTC w/ Spring Check, Handle, Red Index & Screw |
| 14       | 012443-40NS | Quarter-Turn Eterna Cartridge, RTC w/ Spring Check                            |
| 15       | 001193-19NS | Red Button Index, Press-in  |
| 16       | 014200-45   | Star Washer, Anti-Rotation  |



**Product Specifications:**

8" Deck Mount Mixing Faucet, Quarter-Turn Eterna Cartridges w/ Spring Checks, Lever Handles, 5 3/4" Swivel/Rigid Gooseneck w/ Stream Regulator Outlet & 1/2" NPT Female Inlets

**Product Compliance:**

ASME A112.18.1 / CSA B125.1  
NSF 61 - Section 9  
NSF 372 (Low Lead Content)  
ANSI A117.1 (ADA)