



Architect/Engineering Specifications:

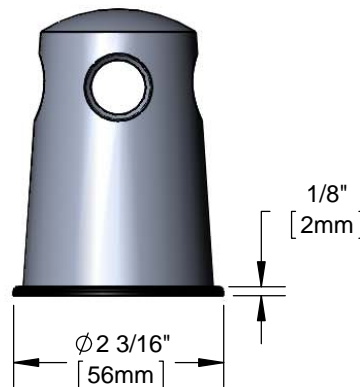
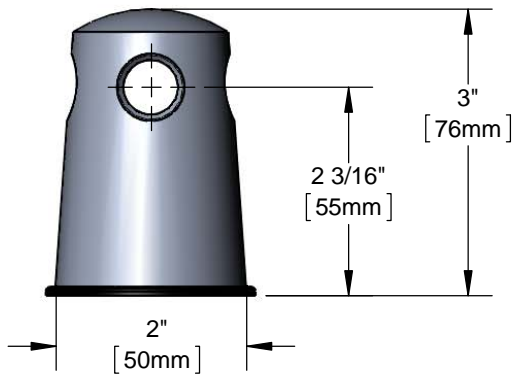
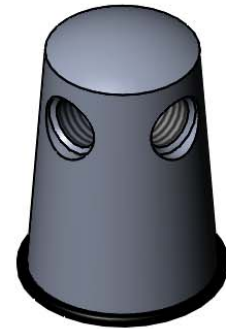
Laboratory turret with polished chrome plated brass body, (4) 3/8" NPT female outlets at 90 degrees apart and 3/8" NPT female inlet.

Job Name \_\_\_\_\_

Model Specified \_\_\_\_\_ Quantity \_\_\_\_\_

Variations Specified \_\_\_\_\_

Date \_\_\_\_\_



Features & Benefits:

- Laboratory turret with polished chrome plated brass body
- (4) 3/8" NPT female outlets
- 3/8" NPT female inlet in base
- Black plastic base gasket
- Material: Polished chrome plated brass body

Product Compliance:

- N/A

Warranty: One Year (Limited)

Performance Data:

- N/A

