

This Space for Architect/Engineer Approval

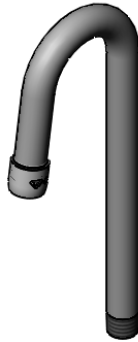
Job Name _____ Date _____

Model Specified _____ Quantity _____

Customer/Wholesaler _____

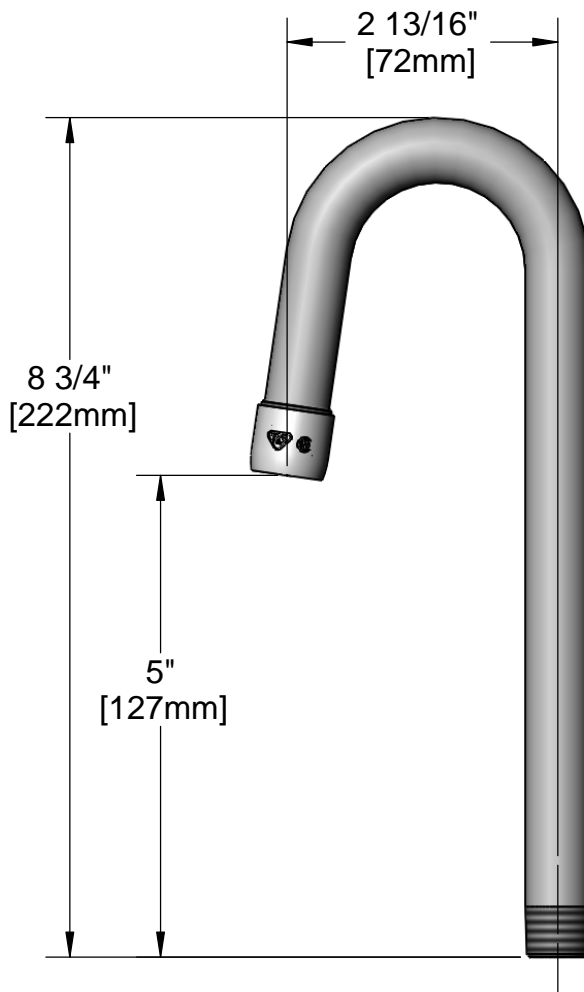
Contractor _____

Architect/Engineer _____



3/4-27 UN
Laminar Outlet
Flow Device

3/8" NPT Male End
Fits all Standard equip
Rigid Bases



Model Number

5SP-03

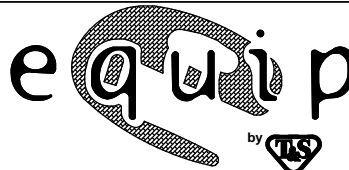
Product Specifications:

3" Rigid Gooseneck w/ Laminar Device Outlet

Product Compliance:

ASME A112.18.1 / CSA B125.1
NSF 61 - Section 9
NSF 372 (Low Lead Content)

equip
Foodservice
Accessories



2 Saddleback Cove, P.O. Box 1088
Travelers Rest, South Carolina 29690
Phone: 800.891.4808 Fax: 800.868.0084
equip.tsbrass.com

Drawn: JBC

Checked: JRM

Approved: JHB

Date: 11/21/16

Scale: 1:2

Sheet: 1 of 1