



T&S BRASS AND BRONZE WORKS, INC.

2 Saddleback Cove / P.O. Box 1088
Travelers Rest, SC 29690

Model No.
B-2991-CW-VF05

Item No.

Travelers Rest, SC: 800-476-4103 • Simi Valley, CA: 800-423-0150 • Fax: 864-834-3518 • www.tsbrass.com



ADA Compliant

This Space for Architect/Engineer Approval

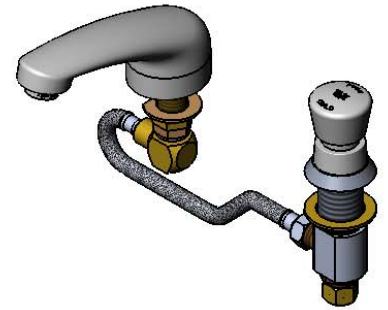
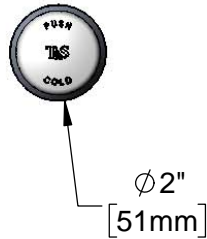
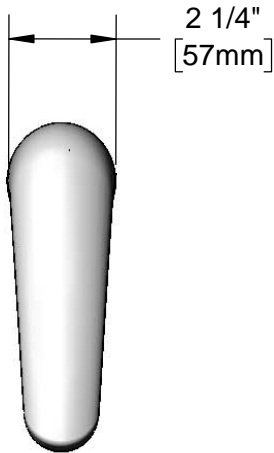
Job Name _____ Date _____

Model Specified _____ Quantity _____

Customer/Wholesaler _____

Contractor _____

Architect/Engineer _____



Lavatory Spout w/
0.5 GPM VR Non-
Aerated Spray Device

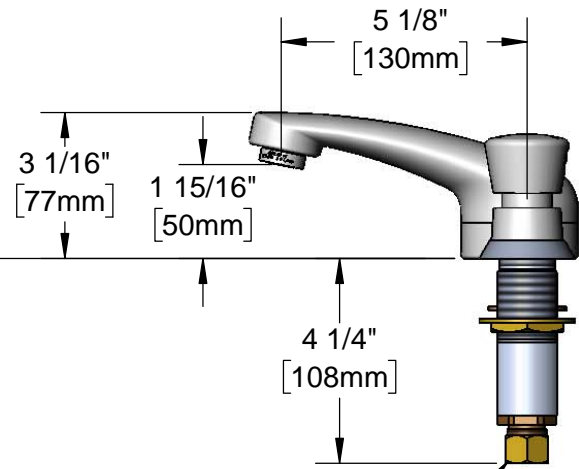
12" Stainless Steel
Supply Hose

Metering Cartridge &
Push Button Metering
Cap

Mounting Surface

1 1/4"
[32mm]
Maximum
Thickness

Adjustable
Inlet Center
6" to 12"
[152mm to 305mm]



1/2" NPSM
Male Inlet w/
Coupling Nut

Rough-In Requirement:
Center Shank: $\phi 1"$ [25mm] Mounting Hole
Cold Side Body: $\phi 1 1/2"$ [38mm] Mounting Hole

Product Specifications:
Deck Mount Commercial Faucet, Metering Cartridge, Push Button Handle, Lavatory Spout w/ 0.5 GPM VR Non-Aerated Spray Device, 12" Flexible Connection Hose & 1/2" NPSM Male Inlet w/ Coupling Nut

Product Compliance:
ASME A112.18.1 / CSA B125.1
NSF 61 - Section 9
NSF 372 (Low Lead Content)
ANSI A117.1 (ADA)



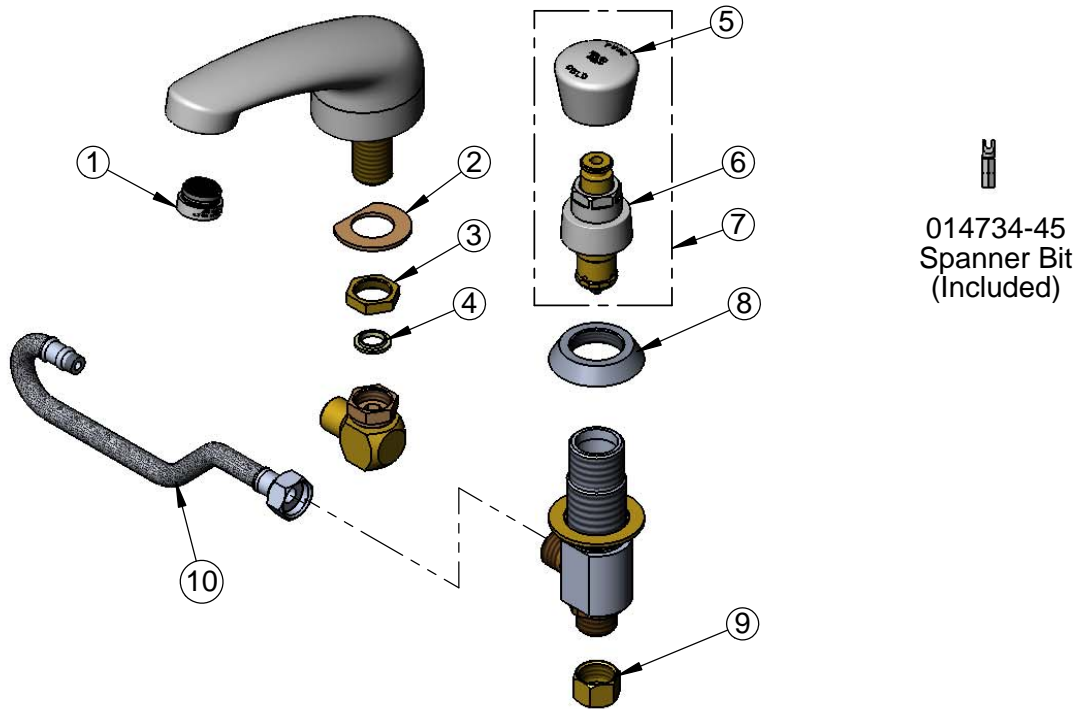
T&S BRASS AND BRONZE WORKS, INC.
 2 Saddleback Cove / P.O. Box 1088
 Travelers Rest, SC 29690

Model No.
B-2991-CW-VF05

Item No.

Travelers Rest, SC: 800-476-4103 • Simi Valley, CA: 800-423-0150 • Fax: 864-834-3518 • www.tsbrass.com

ITEM NO.	SALES NO.	DESCRIPTION
1	B-0199-08-N05	VR 0.5 GPM Non-Aerated Spray Device, 13/16-27 UN Male w/ Key
2	012596-45BW	Shank Washer, Brass
3	002954-45	Shank Lock Nut
4	012702-45	Washer, Cross Body
5	014195-40	Cold Push Button Cap w/ Spanner Bit
6	238A	Push Button Metering Cartridge
7	238AC	Metering Cartridge w/ Cold Push Button Cap & Spanner Bit
8	000537-40	Flange
9	000958-20	Coupling Nut
10	011649-45	12" Flexible Supply Hose (2)



Product Specifications:
 Deck Mount Commercial Faucet, Metering Cartridge, Push Button Handle, Lavatory Spout w/ 0.5 GPM VR Non-Aerated Spray Device, 12" Flexible Connection Hose & 1/2" NPSM Male Inlet w/ Coupling Nut

Product Compliance:
 ASME A112.18.1 / CSA B125.1
 NSF 61 - Section 9
 NSF 372 (Low Lead Content)
 ANSI A117.1 (ADA)