



T&S BRASS AND BRONZE WORKS, INC.
 2 Saddleback Cove / P.O. Box 1088
 Travelers Rest, SC 29690

Model No.
B-2855-060X

Item No.

Travelers Rest, SC: 800-476-4103 • Simi Valley, CA: 800-423-0150 • Fax: 864-834-3518 • www.tsbrass.com

This Space for Architect/Engineer Approval

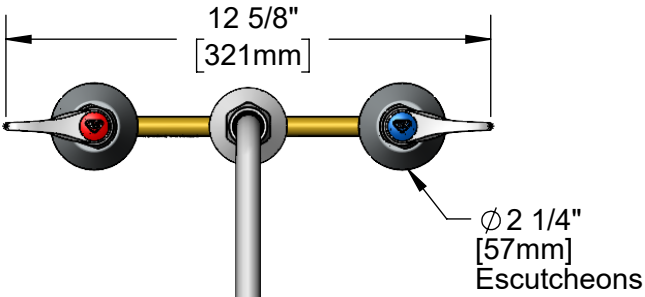
Job Name _____ Date _____

Model Specified _____ Quantity _____

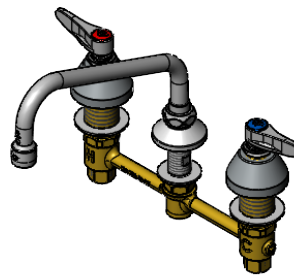
Customer/Wholesaler _____

Contractor _____

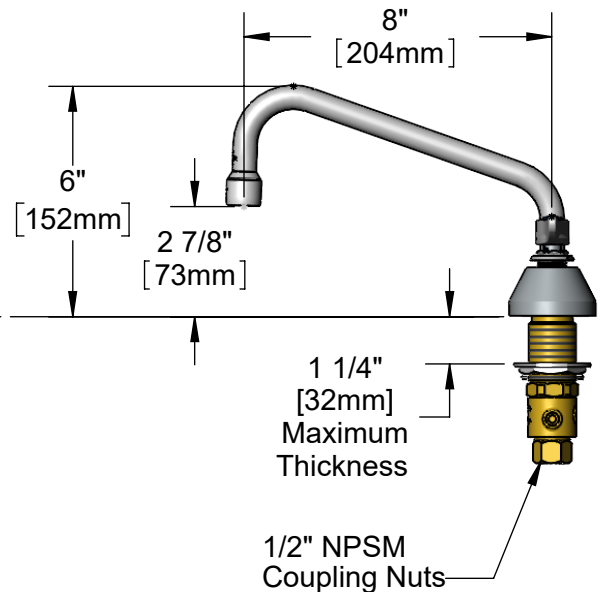
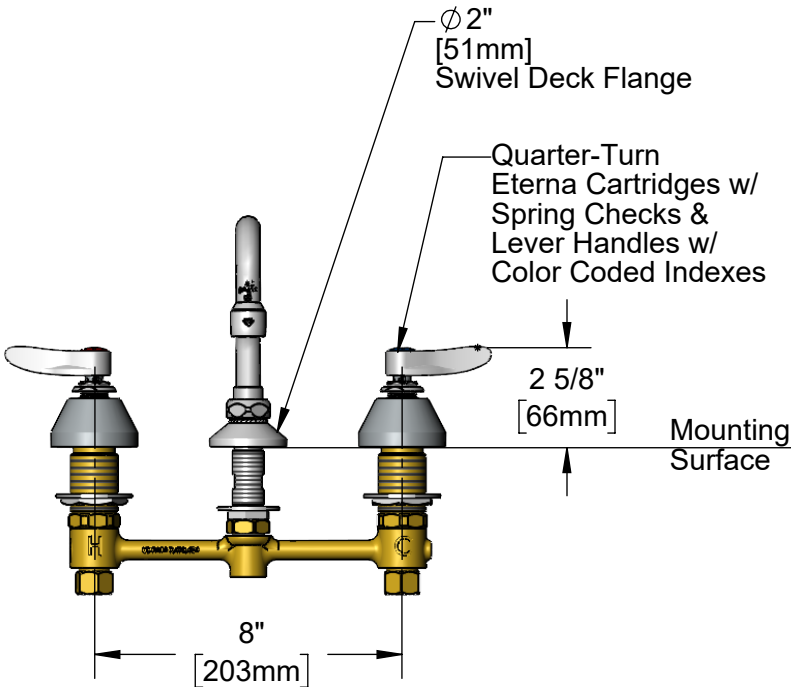
Architect/Engineer _____



060X-A22
 8" Swing Nozzle w/
 2.2 GPM Aerator.
 Rigid Conversion Requires
 014200-45 Lock Washer
 (Included)



ADA Compliant



Rough-In Requirement:
 ϕ 1" [25mm] for Center Shank
 ϕ 1 1/2" [38mm] for Hot/Cold Side

Product Specifications:
 8" Concealed Widespread EasyInstall Mixing Faucet, Lever Handles, Quarter-Turn Eterna Cartridges w/ Spring Checks, 8" Swing Nozzle w/ 2.2 GPM Aerator and 1/2" NPT Male Inlets

Product Compliance:
 ASME A112.18.1 / CSA B125.1
 NSF 61 - Section 9
 NSF 372 (Low Lead Content)
 ANSI A117.1 (ADA)



T&S BRASS AND BRONZE WORKS, INC.

2 Saddleback Cove / P.O. Box 1088
Travelers Rest, SC 29690

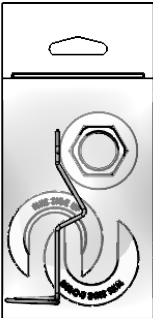
Model No.

B-2855-060X

Item No.

Travelers Rest, SC: 800-476-4103 • Simi Valley, CA: 800-423-0150 • Fax: 864-834-3518 • www.tsbrass.com

ITEM NO.	SALES NO.	DESCRIPTION
1	B-0199-01	2.2 GPM Aerator, 55/64-27 UN Female
2	060X-A22	8" Swing Nozzle w/ 2.2 GPM Aerator
3	009538-45	Swivel Washer
4	011429-45	Swivel Sleeves (2)
5	001074-45	O-Ring
6	014200-45	Star Washer, Anti-Rotation
7	018506-19NS	Blue Button Index, Press-in
8	000925-45	Lab Handle Screw
9	001636-45NS	Lever Handle, Blue Index & Screw
10	016754-40	EasyInstall CWS Swivel Center Shank
11	016742-45	Center Flange Nut
12	016745-45	Compression Nut & Fitting
13	016752-40NS	EasyInstall, CWS Quarter-Turn Eterna Cartridge w/ Spring Check, LTC
14	016777-45	CWS Hanger
15	016749-45	Sidebody C-Washer
16	000958-20	Coupling Nut
17	016753-40NS	EasyInstall, CWS Quarter-Turn Eterna Cartridge w/ Spring Check, RTC
18	001257-40NS	Bell Escutcheon
19	001637-45NS	Lever Handle, Red Index & Screw
20	001638-45NS	Lever Handle (New Style)
21	001193-19NS	Red Button Index, Press-in
22	016743-20	Eterna Bonnet - EXTENDED
23	009002-40NS	CWS Packing Nut Assembly



017245-40
Installation Repair Kit
Includes #11, #14, & (2)#15

Product Specifications:
8" Concealed Widespread EasyInstall Mixing Faucet, Lever Handles, Quarter-Turn Eterna Cartridges w/ Spring Checks, 8" Swing Nozzle w/ 2.2 GPM Aerator and 1/2" NPT Male Inlets

Product Compliance:
ASME A112.18.1 / CSA B125.1
NSF 61 - Section 9
NSF 372 (Low Lead Content)
ANSI A117.1 (ADA)