



**T&S BRASS AND BRONZE WORKS, INC.**  
 2 Saddleback Cove / P.O. Box 1088  
 Travelers Rest, SC 29690

Model No.  
**B-0133-14CRB8ST**

Item No.

Travelers Rest, SC: 800-476-4103 • Simi Valley, CA: 800-423-0150 • Fax: 864-834-3518 • www.tsbrass.com

This Space for Architect/Engineer Approval

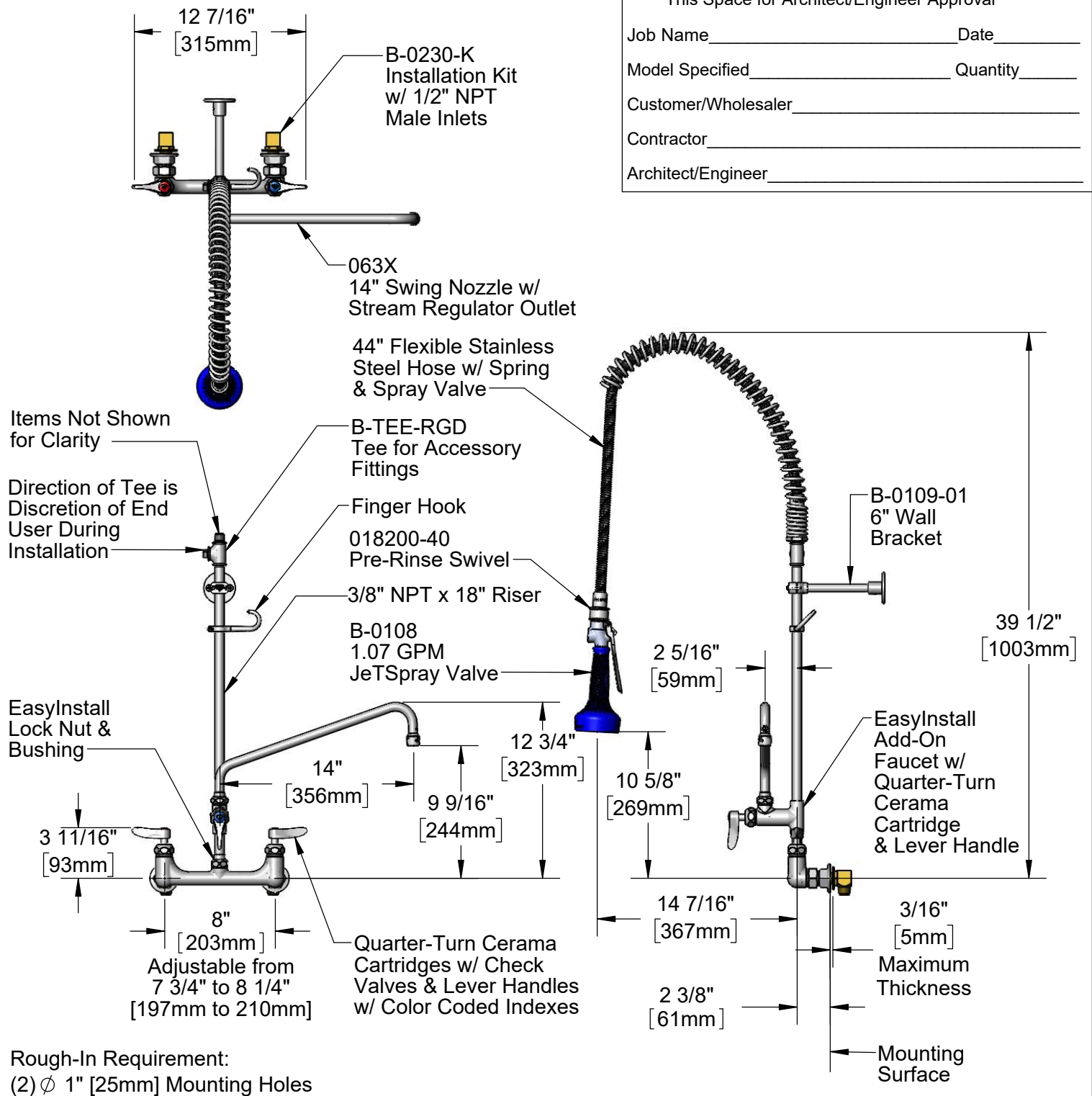
Job Name \_\_\_\_\_ Date \_\_\_\_\_

Model Specified \_\_\_\_\_ Quantity \_\_\_\_\_

Customer/Wholesaler \_\_\_\_\_

Contractor \_\_\_\_\_

Architect/Engineer \_\_\_\_\_



Rough-In Requirement:  
 (2)  $\phi$  1" [25mm] Mounting Holes

Product Specifications:  
 Pre-Rinse Unit: EasyInstall 8" Wall Mount Mixing Faucet, Quarter-Turn Cerama Cartridges w/ Check Valves, Lever Handles, Add-On Faucet w/ 14" Swing Nozzle, 44" Flexible Stainless Steel Hose, 1.07 GPM JeTSpray Valve, Pre-Rinse Swivel, Rigid Tee for Accessory Fittings, 6" Wall Bracket & 1/2" NPT Male Installation Kit

Product Compliance:  
 ASME A112.18.1 / CSA B125.1  
 NSF 61 - Section 9  
 NSF 372 (Low Lead Content)  
 2019 DOE PRSV - Class II



# T&S BRASS AND BRONZE WORKS, INC.

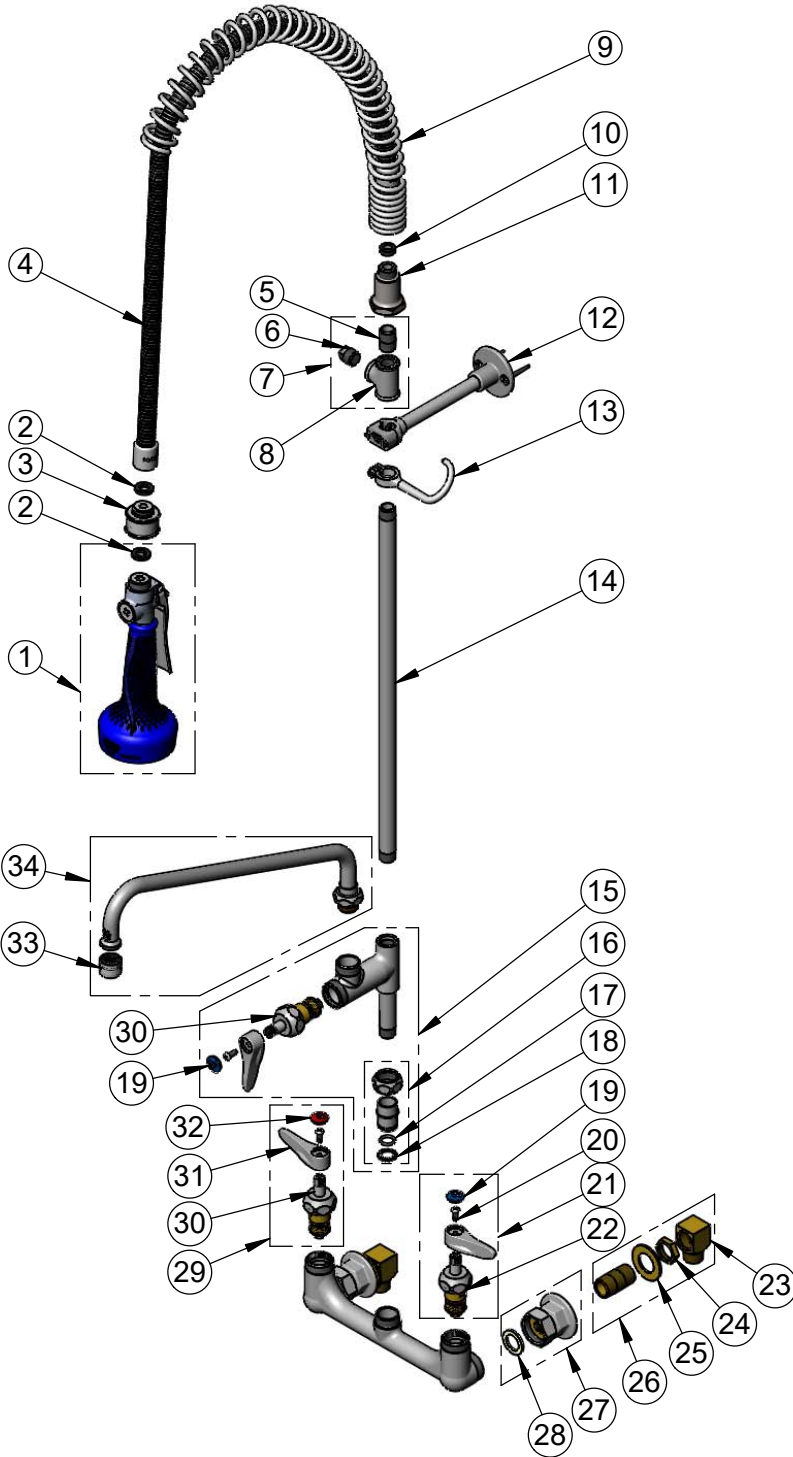
2 Saddleback Cove / P.O. Box 1088  
Travelers Rest, SC 29690

Model No.

**B-0133-14CRB8ST**

Item No.

Travelers Rest, SC: 800-476-4103 • Simi Valley, CA: 800-423-0150 • Fax: 864-834-3518 • www.tsbrass.com



ITEM NO.	SALES NO.	DESCRIPTION
1	B-0108	1.07 GPM Spray Valve w/ Ergo-Grip
2	001014-45	Washer, B-0100 Hose Barrel
3	018200-40	Pre-Rinse Swivel w/ 2 Washers
4	B-0044-H2A	44" Flexible Stainless Steel Hose, Less Handle
5	002535-25	3/8" Close Nipple
6	002369-25	3/8" NPT Plug
7	B-TEE-RGD	Rigid Tee
8	001614-40	3/8" NPT Tee
9	000888-45	EasyInstall Overhead Spring
10	010476-45	#27 Washer
11	000821-40	Spring Body
12	B-0109-01	6" Wall Bracket
13	004R	Finger Hook
14	000369-40	3/8" NPT x 18" Riser
15	B-0155-CR-LN	Add-On Faucet w/ Quarter-Turn Cerama Cartridge, RTC & Lever Handle, Less Nozzle
16	EZ-K	EasyInstall Kit: Nut, Bushing, O-ring & Lock Washer
17	001065-45	O-ring
18	014200-45	Star Washer, Anti-Rotation
19	018506-19NS	Blue Button Index, Press-in
20	000925-45	Lab Handle Screw
21	012447-25NS	Quarter-Turn Cerama Cartridge, LTC w/ Check Valve, Handle, Index & Screw
22	012395-25NS	Quarter-Turn Cerama Cartridge, LTC w/ Bonnet & Check Valve
23	B-1100-K	1/2" NPT Male Inlet Elbow
24	002954-45	Shank Lock Nut
25	000999-45	Brass Lock Washer
26	B-0230-K	Short Elbow Installation Kit
27	00AA	1/2" NPT Female Eccentric Flange
28	001019-45	Coupling Nut Washer
29	012446-25NS	Quarter-Turn Cerama Cartridge, RTC w/ Check Valve, Handle, Index & Screw
30	012394-25NS	Quarter-Turn Cerama Cartridge, RTC w/ Bonnet & Check Valve
31	001638-45NS	Lever Handle (New Style)
32	001193-19NS	Red Button Index, Press-in
33	B-PT	Full Flow Stream Regulator, 55/64-27
34	063X	14" Swing Nozzle w/ Stream Regulator Outlet

**Product Specifications:**

Pre-Rinse Unit: EasyInstall 8" Wall Mount Mixing Faucet, Quarter-Turn Cerama Cartridges w/ Check Valves, Lever Handles, Add-On Faucet w/ 14" Swing Nozzle, 44" Flexible Stainless Steel Hose, 1.07 GPM JeTSpray Valve, Pre-Rinse Swivel, Rigid Tee for Accessory Fittings, 6" Wall Bracket & 1/2" NPT Male Installation Kit

**Product Compliance:**

ASME A112.18.1 / CSA B125.1  
NSF 61 - Section 9  
NSF 372 (Low Lead Content)  
2019 DOE PRSV - Class II