



**T&S BRASS AND BRONZE WORKS, INC.**  
 2 Saddleback Cove / P.O. Box 1088  
 Travelers Rest, SC 29690

Model No.  
**B-7112-08M**

Item No.

Travelers Rest, SC: 800-476-4103 • Simi Valley, CA: 800-423-0150 • Fax: 864-834-3518 • www.tsbrass.com

This Space for Architect/Engineer Approval

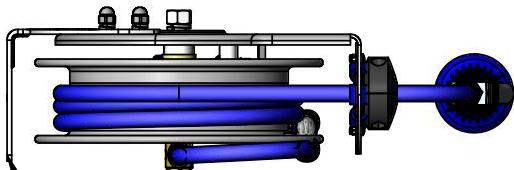
Job Name \_\_\_\_\_ Date \_\_\_\_\_

Model Specified \_\_\_\_\_ Quantity \_\_\_\_\_

Customer/Wholesaler \_\_\_\_\_

Contractor \_\_\_\_\_

Architect/Engineer \_\_\_\_\_

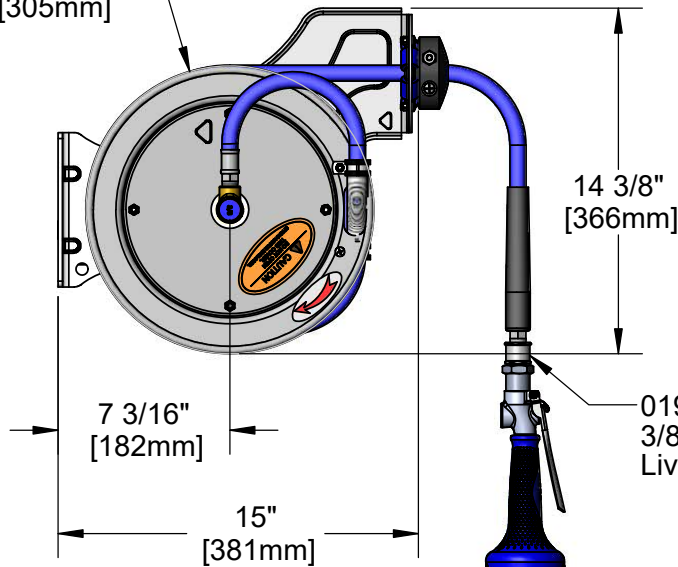


3/8" NPT Female Inlet  
 (Left Side of Reel)

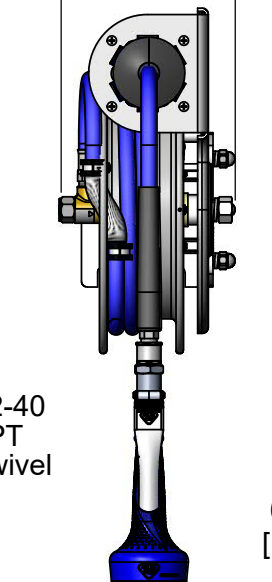
Open Stainless Steel Hose Reel;  
 15 Ft. of 3/8" Hose



Ø 12"  
 [305mm]



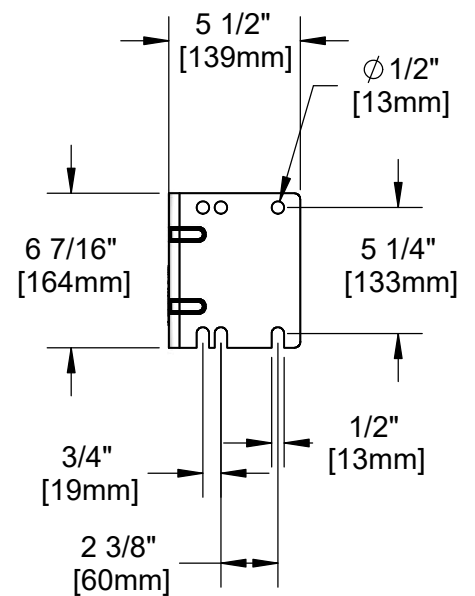
7 1/4"  
 [184mm]



019652-40  
 3/8" NPT  
 Live Swivel

B-0108  
 1.07 GPM  
 Spray Valve

Mounting Hole Details



Product Specifications:  
 3/8" x 15 Ft. Open Stainless Steel Reel with 1.07 GPM Flow Spray Valve & Swivel

Product Compliance:  
 NSF 61 Exempt (Non-Potable)  
 2019 DOE PRSV - Class II



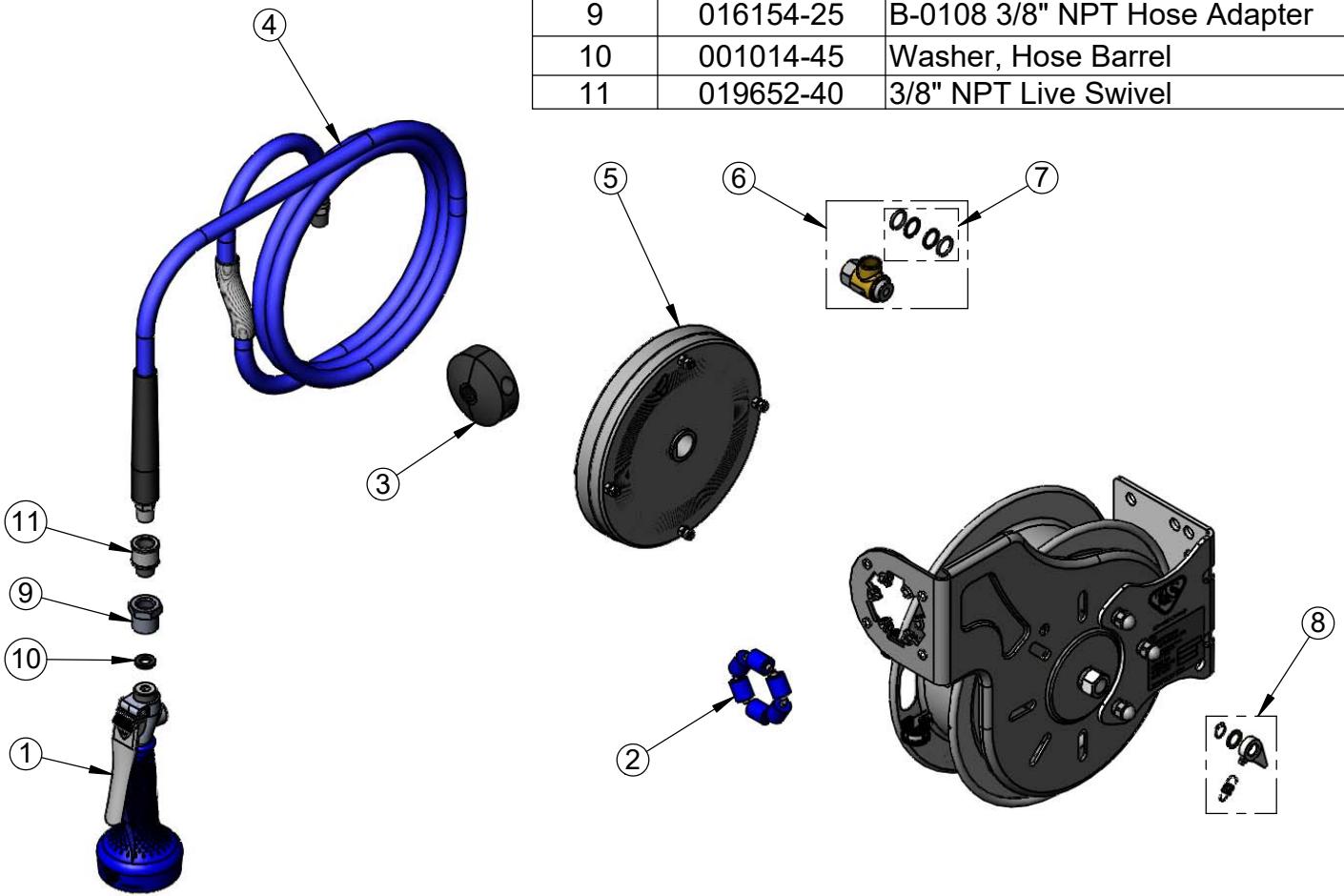
**T&S BRASS AND BRONZE WORKS, INC.**  
 2 Saddleback Cove / P.O. Box 1088  
 Travelers Rest, SC 29690

Model No.  
**B-7112-08M**

Item No.

Travelers Rest, SC: 800-476-4103 • Simi Valley, CA: 800-423-0150 • Fax: 864-834-3518 • www.tsbrass.com

ITEM NO.	SALES NO.	DESCRIPTION
1	B-0108	1.07 GPM Spray Valve
2	014938-45	Roller Assembly Repair Kit
3	014949-45	Hose Stop Repair Kit
4	014944-45	3/8" x 15' Hose Replacement Kit
5	014933-45	Small SS Spring Assembly
6	014946-45	3/8" Swivel Repair Kit
7	014948-45	O-Ring Replacement Kit
8	014940-45	Ratchet Repair Kit
9	016154-25	B-0108 3/8" NPT Hose Adapter
10	001014-45	Washer, Hose Barrel
11	019652-40	3/8" NPT Live Swivel



**Product Specifications:**  
 3/8" x 15 Ft. Open Stainless Steel Reel with 1.07 GPM Flow Spray Valve & Swivel

**Product Compliance:**  
 NSF 61 Exempt (Non-Potable)  
 2019 DOE PRSV - Class II