



Architect/Engineering Specifications:

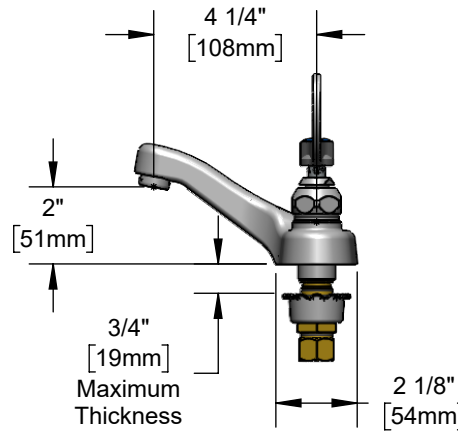
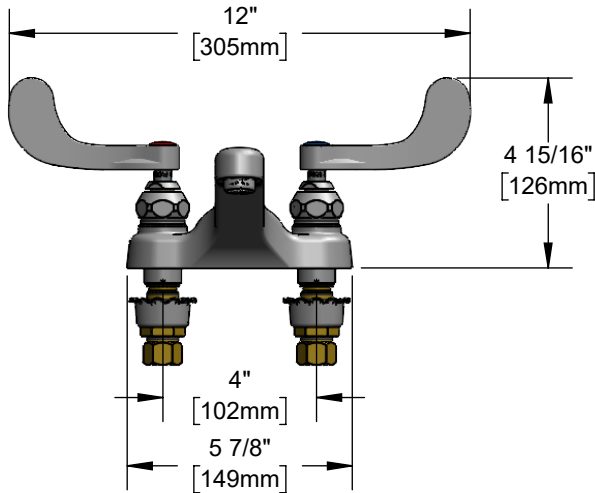
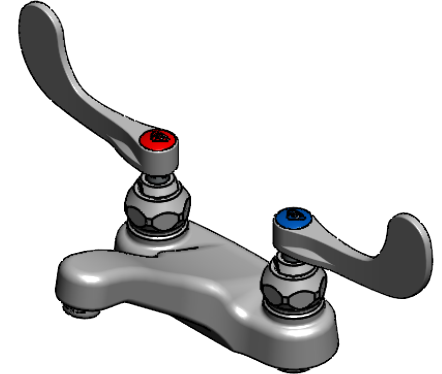
4" centerset deck mount mixing faucet with polished chrome plated brass body and integral spout, 2.2 GPM aerator, compression cartridges with spring checks, 4" wrist action handles w/ anti-microbial coating, 1/2" NPSM male inlets. Certified to ASME A112.18.1/CSA B125.1, NSF 61-Section 9 and NSF 372. Meets ADA ANSI/ICC A117.1 requirements.

Job Name _____

Model Specified _____ Quantity _____

Variations Specified _____

Date _____



Features & Benefits:

- 4" centerset deck mount mixing faucet w/ polished chrome plated brass cast body and spout
- 2.2 GPM aerator, Series 3 (B-0199-03)
- Quarter-turn Eterna compression cartridges w/ spring checks to prevent cross flow of water
- 4" wrist action handles w/ anti-microbial coating & color coded indexes
- 1/2" NPSM male inlets with coupling nuts
- Material: Polished chrome plated brass cast body & spout and anti-microbial coated chrome plated metal handles

Product Compliance:

- ASME A112.18.1 / CSA B125.1
- NSF 61 - Section 9
- NSF 372 (Low Lead Content)
- ANSI A117.1 (ADA)

Warranty: One Year (Limited)

Performance Data:

- Pressure: 20 - 125 psi [1.38 - 6.62 bar]
- Temperature: 40°F - 140°F [4.44°C - 60°C]
- Flow Rate: 2.2 GPM [8.33 L/min] @ 60 psi [4.14 bar]



ADA Compliant

Optional Outlets (Series 3 / VR Series 8)

GPM	Aerated	Non-Aerated (Laminar)	VR Aerated	VR Non-Aerated (VR Laminar)
0.35	N/A	<input type="checkbox"/> B-0199-03-N035	N/A	<input type="checkbox"/> B-0199-08-N035
0.5	N/A	<input type="checkbox"/> B-0199-03-N05	N/A	<input type="checkbox"/> B-0199-08-N05
1.0	N/A	N/A	N/A	<input type="checkbox"/> B-0199-08-LF10
1.2	<input type="checkbox"/> B-0199-03-F12	N/A	<input type="checkbox"/> B-0199-08-F12	N/A
1.5	<input type="checkbox"/> B-0199-03-WS	N/A	<input type="checkbox"/> B-0199-08-WS	<input type="checkbox"/> B-0199-08-LF15
2.2	Standard	<input type="checkbox"/> B-0199-26	<input type="checkbox"/> B-0199-08	<input type="checkbox"/> B-0199-28

Optional Anti-Microbial Coated Handles

- 4" Wrist Action (Standard)
- Lever
- 4-Arm

Optional Cartridges

- Quarter-Turn Cerama w/ Check Valve
- Quarter-Turn Eterna w/ Spring Check (Standard)
- Push Button Metering
- Pivot Action Metering
- Wrist Action Metering

