

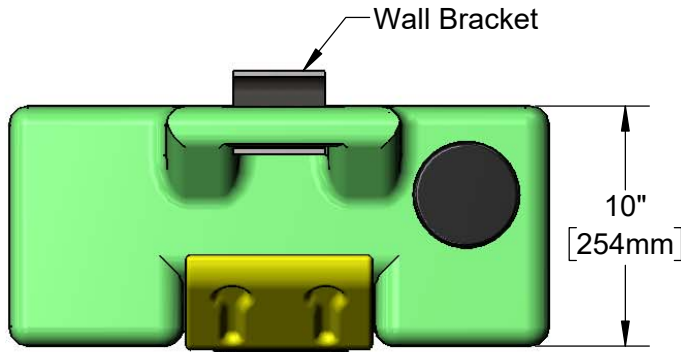


T&S BRASS AND BRONZE WORKS, INC.
 2 Saddleback Cove / P.O. Box 1088
 Travelers Rest, SC 29690

Model No.
EW-7501

Item No.

Travelers Rest, SC: 800-476-4103 • Simi Valley, CA: 800-423-0150 • Fax: 864-834-3518 • www.tsbrass.com



This Space for Architect/Engineer Approval

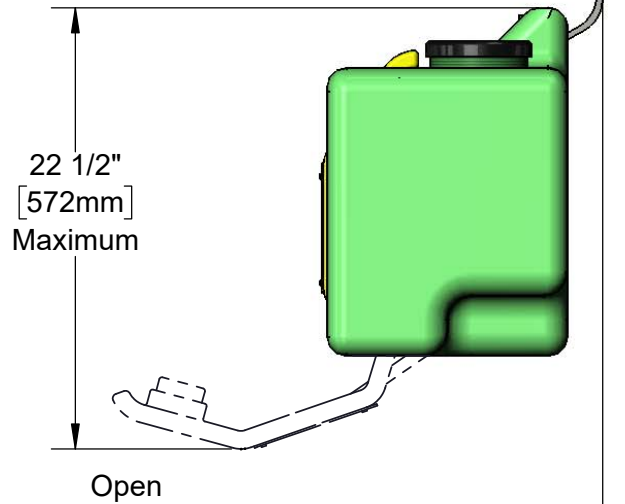
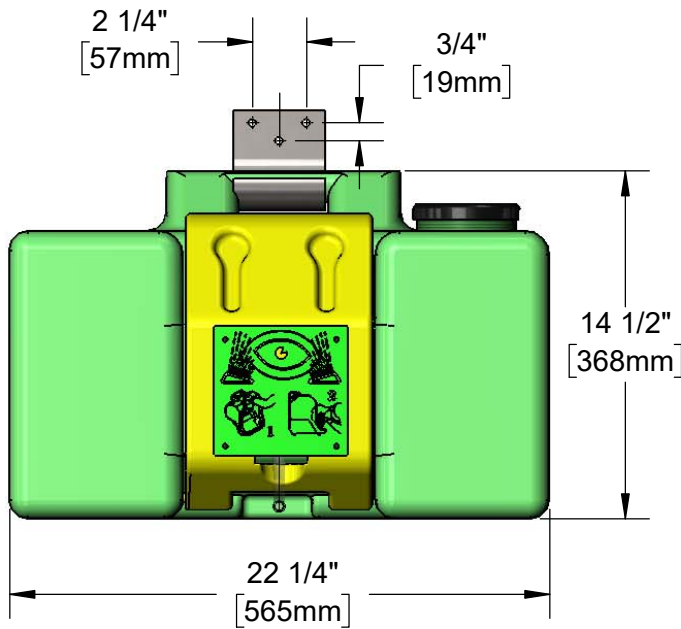
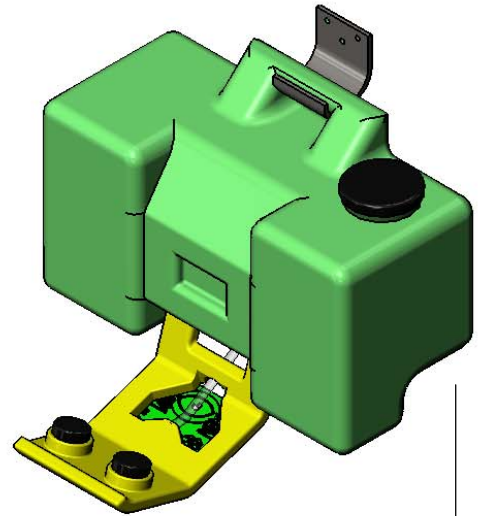
Job Name _____ Date _____

Model Specified _____ Quantity _____

Customer/Wholesaler _____

Contractor _____

Architect/Engineer _____



Wall

Note:

1. Portable Eyewash Station- 9 Gallon Capacity Polyethylene Tank with Wall Mount Bracket

2. EW-9082 Bacteriostatic Preservative Solution Sold Separately

Product Specifications:

Nine Gallon Gravity Fed Portable Eyewash Unit with Fold Down Eyewash Arm, Eyewash Heads, Tripod Anchor, Stainless Steel Socket Head Cap Screw, Rubber Gasket and Wall Bracket

Product Compliance:

ANSI Z358.1 (Latest Revision)
 NSF 61 Exempt (Non-Potable)