



Architect/Engineering Specifications:

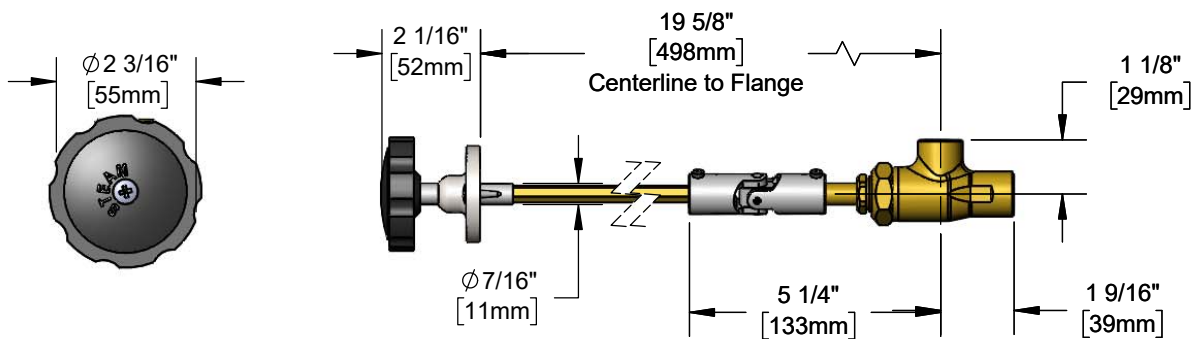
Remote control angled valve with brass body for steam, 19 5/8" centerline to flange, black heat resistant handle, panel flange and 3/8" NPT female inlet and outlet.

Job Name _____

Model Specified _____ Quantity _____

Variations Specified _____

Date _____



Features & Benefits:

- Remote control angle valve with brass body for steam
- 19 5/8" centerline to bushing
- Stainless steel floating cone and seat for steam
- Black heat resistant handle
- $\phi 2$ " panel flange with mounting screws
- Outlet at 90° to inlet
- 3/8" NPT female inlet and outlet
- Material: brass body and remote arm

Product Compliance:

- N/A

Warranty: One Year (Limited)

Performance Data:

- N/A

