



T&S BRASS AND BRONZE WORKS, INC.

2 Saddleback Cove / P.O. Box 1088
Travelers Rest, SC 29690

Model No.

B-0712-WA

Item No.

Travelers Rest, SC: 800-476-4103 • Simi Valley, CA: 800-423-0150 • Fax: 864-834-3518 • www.tsbrass.com



ADA Compliant

This Space for Architect/Engineer Approval

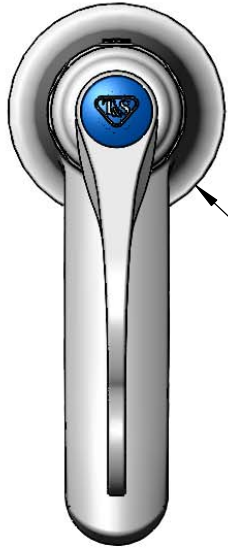
Job Name _____ Date _____

Model Specified _____ Quantity _____

Customer/Wholesaler _____

Contractor _____

Architect/Engineer _____



Ø 2 1/4"
[57mm]
Base

Wrist-Action Metering
Cartridge & 4" Wrist Action
Handle w/ Blue (Cold) Index

B-0199-03
2.2 GPM
Aerator

Mounting
Surface

2 5/16"
[59mm]

1/2" NPSM
Male Inlet

1 5/16"
[34mm]

4"
[102mm]

4 1/16"
[103mm]

5 1/16"
[129mm]

6 11/16"
[171mm]

13/16"
[21mm]
Maximum

150A
Optional Tailpiece & Nut
For 1/4" NPT Connection
(Included)

Rough-In Requirement:
Ø 1 1/8" [29mm] Mounting Hole

Product Specifications:

Single Hole Single Temperature Basin Deck Mount Faucet, Wrist
Action Metering Cartridge, 4" Wrist Action Handle, 2.2 GPM Aerator
& 1/2" NPSM Male Inlet

Product Compliance:

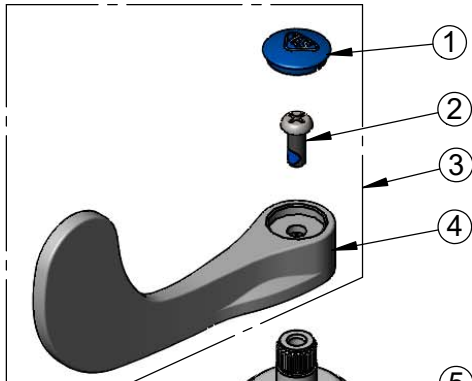
ASME A112.18.1 / CSA B125.1
NSF 61 - Section 9
NSF 372 (Low Lead Content)
ANSI A117.1 (ADA)



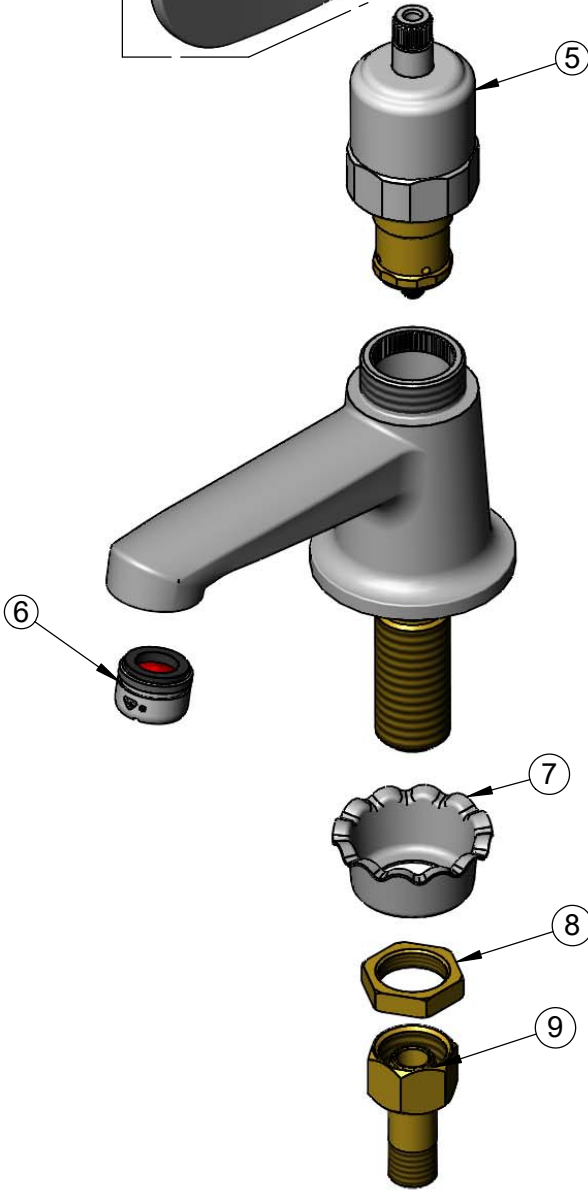
T&S BRASS AND BRONZE WORKS, INC.
 2 Saddleback Cove / P.O. Box 1088
 Travelers Rest, SC 29690

Model No.
B-0712-WA
 Item No.

Travelers Rest, SC: 800-476-4103 • Simi Valley, CA: 800-423-0150 • Fax: 864-834-3518 • www.tsbrass.com



ITEM NO.	SALES NO.	DESCRIPTION
1	018506-19NS	Blue Button Index, Press-in
2	000925-45	Lab Handle Screw
3	B-WH4C-NS	4" Wrist Action Handle, Screw & Cold Index
4	B-WH4-NS	Wrist Action Handle - New Style
5	012449-40	Wrist-Action Metering Cartridge
6	B-0199-03	2.2 GPM Aerator
7	001000-45	Rosette Washer
8	002954-45	Shank Lock Nut
9	150A	1/4" NPT Tailpiece & Nut
40	000958-20	Coupling Nut
41	001592-20	1/4" NPT Tailpiece



Product Specifications:
 Single Hole Single Temperature Basin Deck Mount Faucet, Wrist Action Metering Cartridge, 4" Wrist Action Handle, 2.2 GPM Aerator & 1/2" NPSM Male Inlet

Product Compliance:
 ASME A112.18.1 / CSA B125.1
 NSF 61 - Section 9
 NSF 372 (Low Lead Content)
 ANSI A117.1 (ADA)