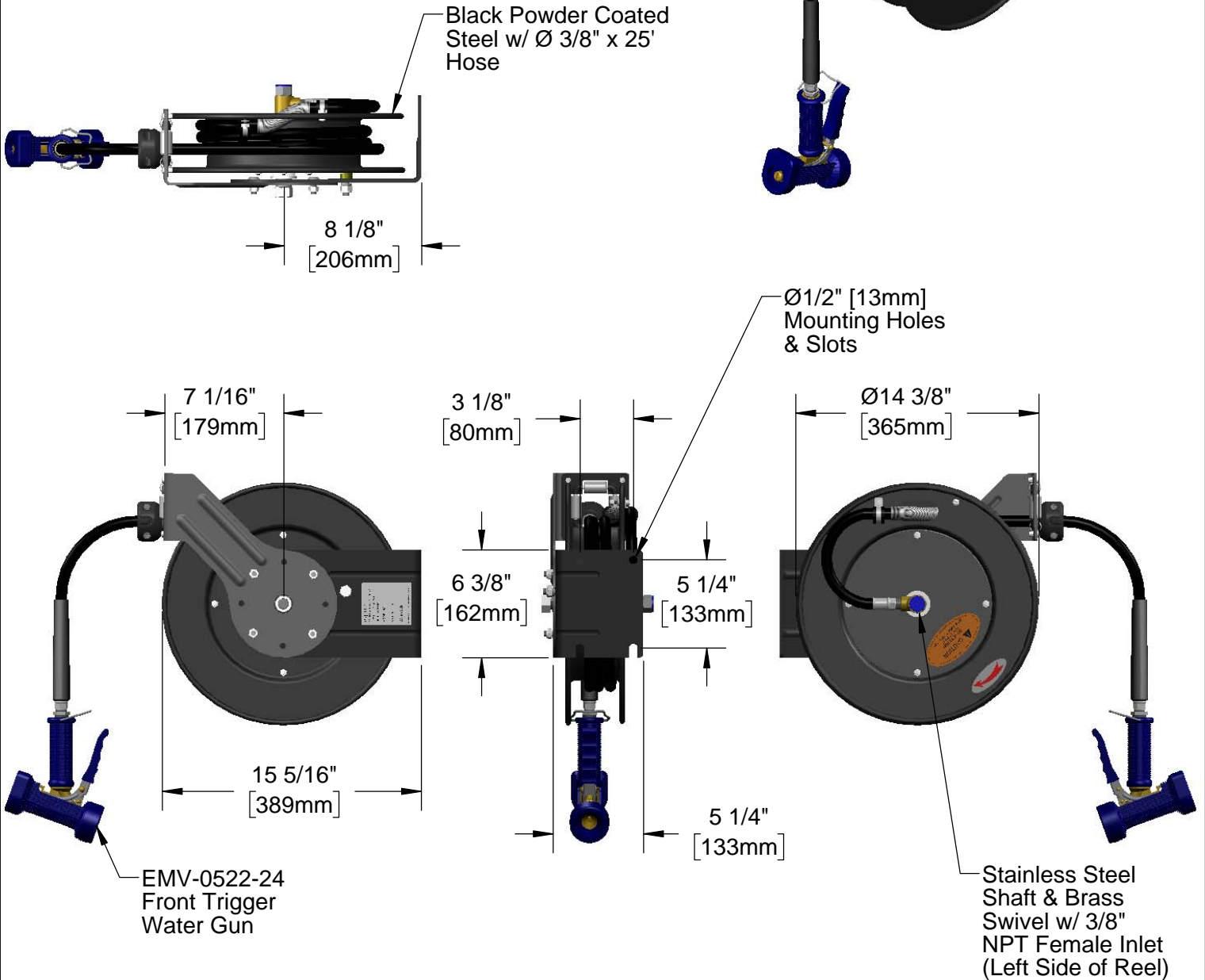


This Space for Architect/Engineer Approval

Job Name _____ Date _____
 Model Specified _____ Quantity _____
 Customer/Wholesaler _____
 Contractor _____
 Architect/Engineer _____



Model Number
5HR-222-12

Product Specifications:
**Black Powder Coated Steel, Open Hose Reel
 w/ Ø 3/8" x 25' Hose & Front Trigger Brass Water Gun**

Product Compliance:
 NSF 61 Exempt (Non-Potable)
 EPAct 2005 Non-Compliant (PRSV)

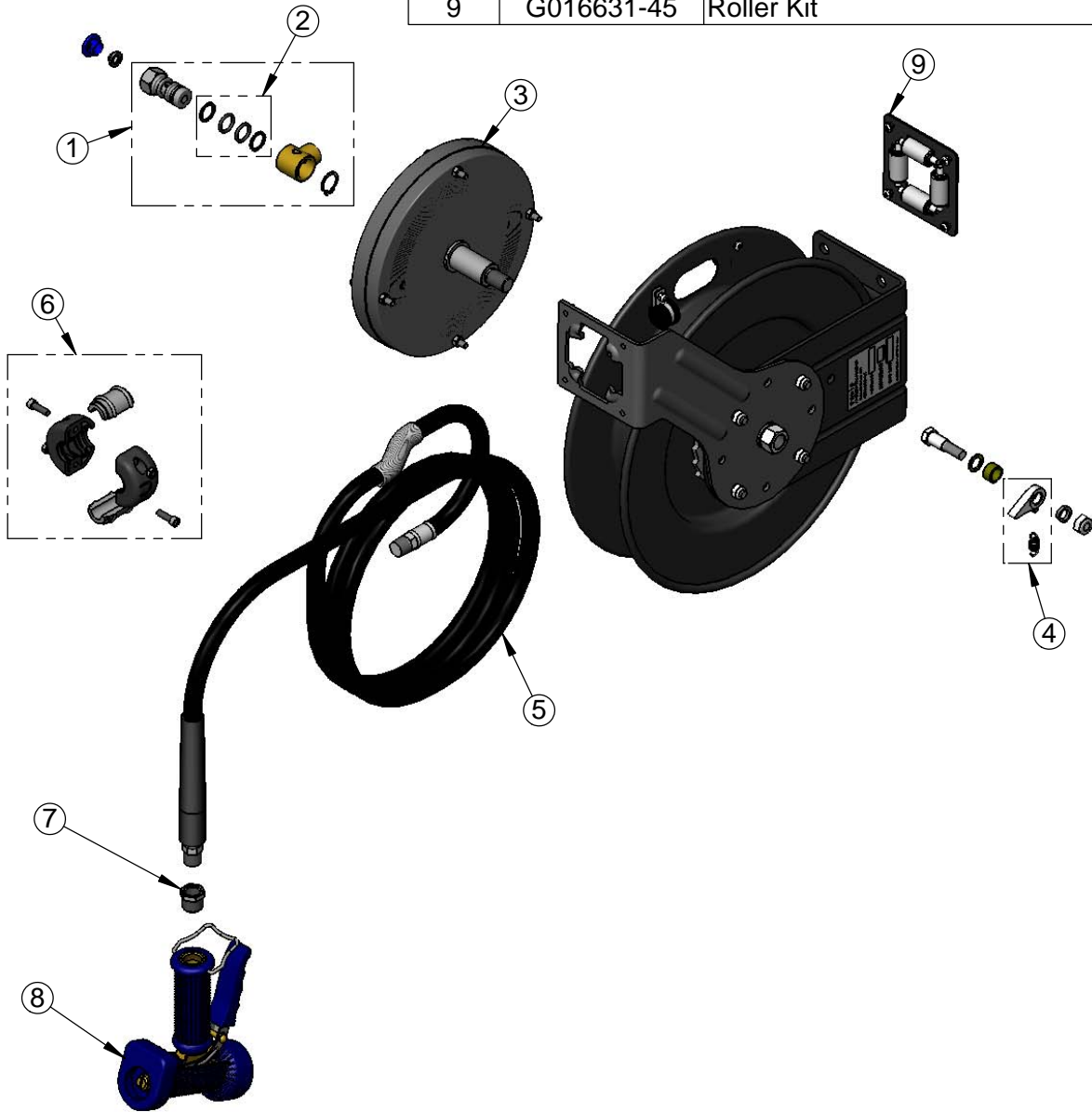
equip
 Foodservice
 Accessories



by 

2 Saddleback Cove, P.O. Box 1088
 Travelers Rest, South Carolina 29690
 Phone: 800.891.4808 Fax: 800.868.0084
 equip.tsbrass.com

ITEM NO.	SALES NO.	DESCRIPTION
1	5HR-2SA	Complete 3/8" Swivel Assembly
2	014948-45	Seal Kit
3	G016682-45	Spring Assembly
4	014940-45	Ratchet Repair Kit
5	5HR-2HSE-25	Ø 3/8" x 25' Hose
6	019246-45	Hose Stop Repair Kit
7	001359-40	Hex Bushing, 1/2" Male x 3/8" Female
8	EMV-0522-24	Front Trigger Brass Water Gun
9	G016631-45	Roller Kit



Model Number

5HR-222-12

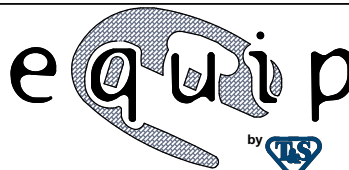
Product Specifications:

**Black Powder Coated Steel, Open Hose Reel
w/ Ø 3/8" x 25' Hose & Front Trigger Brass Water Gun**

Product Compliance:

NSF 61 Exempt (Non-Potable)
EPA 2005 Non-Compliant (PRSV)

equip
Foodservice
Accessories



2 Saddleback Cove, P.O. Box 1088
Travelers Rest, South Carolina 29690
Phone: 800.891.4808 Fax: 800.868.0084
equip.tsbrass.com