



Medical and Lavatory Faucets

B-0892-WS

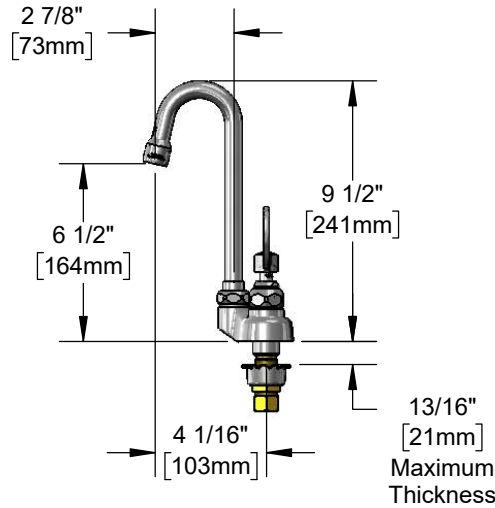
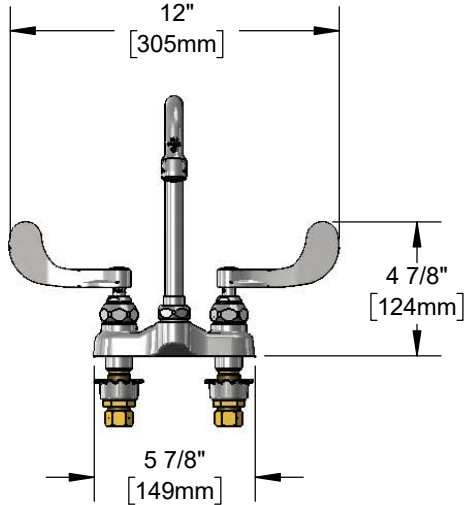
TAG:

Centerset Lavatory Faucet

Architect/Engineering Specifications:

4" centerset deck mount mixing faucet with polish chrome plated brass body, 2 7/8" swivel/rigid gooseneck, 1.5 GPM aerator, compression cartridges with spring checks, 4" wrist action handles and 1/2" NPSM male inlets. Certified to ASME A112.18.1/CSA B125.1, NSF 61-Section 9, NSF 372 and EPA WaterSense. Meets ADA ANSI/ICC A117.1 requirements.

Job Name _____
 Model Specified _____ Quantity _____
 Variations Specified _____
 Date _____



Features & Benefits:

- 4" centerset deck mount mixing faucet w/ polish chrome plated brass body
- 2 7/8" swivel gooseneck
- Lock washer included for rigid applications
- 1.5 GPM aerator, Series 1 (B-0199-01-WS)
- Quarter-turn Eterna compression cartridges with spring checks to prevent crossflow of water
- 4" wrist action handles w/ color coded indexes
- 1/2" NPSM male inlets with coupling nuts
- Material: Chrome plated brass body & tubular spout and chrome plated metal handles

Product Compliance:

- ASME A112.18.1 / CSA B125.1
- NSF 61 - Section 9
- NSF 372 (Low Lead Content)
- ANSI A117.1 (ADA)
- EPA WaterSense



Warranty: One Year (Limited)

Performance Data:

- Pressure: 20 - 125 psi
- Temperature: 40 °F - 140 °F
- Flow Rate: 1.5 GPM @ 60 psi



ADA Compliant



Optional Outlets (Series 1 / VR Series 6)

GPM	Aerated	VR Aerated	Non-Aerated (Laminar)	VR Non-Aerated (VR Laminar)
0.35	N/A	N/A	<input type="checkbox"/> B-0199-01-N035	<input type="checkbox"/> B-0199-06-N035
0.5	N/A	N/A	<input type="checkbox"/> B-0199-01-N05	<input type="checkbox"/> B-0199-06-N05
1.0	<input type="checkbox"/> B-0199-01-F10	<input type="checkbox"/> B-0199-06-F10	N/A	N/A
1.2	<input type="checkbox"/> B-0199-01-F12	<input type="checkbox"/> B-0199-06-F12	<input type="checkbox"/> B-0199-01-LF12	<input type="checkbox"/> B-0199-06-LF12
1.5	Standard	<input type="checkbox"/> B-0199-06-WS	<input type="checkbox"/> B-0199-29	<input type="checkbox"/> B-0199-29VR
2.2	<input type="checkbox"/> B-0199-01	<input type="checkbox"/> B-0199-06	<input type="checkbox"/> B-0199-21	<input type="checkbox"/> B-0199-21-VRF

Optional Handles

- 4" Wrist Action (Standard)
- 4-Arm
- Lever

Optional Cartridges

- Quarter-Turn Cerama w/ Check Valve
- Quarter-Turn Eterna w/ Spring Check (Standard)
- Metering



T&S BRASS AND BRONZE WORKS, INC.



• 2 Saddleback Cove • Travelers Rest, SC 29690
 Ph 800-476-4103 • Fax 864-834-3518
 • Simi Valley, CA • Ph 800-423-0150 • www.tsbrass.com

Date: 09/27/18