



T&S BRASS AND BRONZE WORKS, INC.

2 Saddleback Cove / P.O. Box 1088
Travelers Rest, SC 29690

Model No.

EC-3130-VF05-HG

Item No.

Travelers Rest, SC: 800-476-4103 • Simi Valley, CA: 800-423-0150 • Fax: 864-834-3518 • www.tsbrass.com



ADA Compliant

This Space for Architect/Engineer Approval

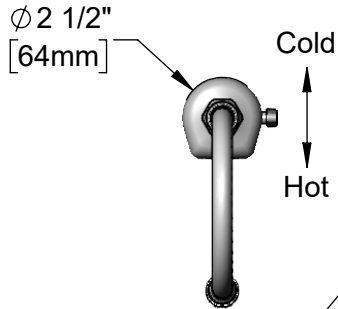
Job Name _____ Date _____

Model Specified _____ Quantity _____

Customer/Wholesaler _____

Contractor _____

Architect/Engineer _____



Ø 2 1/2"
[64mm]

Cold
Hot

Swivel Gooseneck w/
0.5 GPM [1.9 L/min]
Vandal Resistant
Non-Aerated Spray Device.
Converts to Rigid w/
014200-45 Lock Washer
(Included)

Internal Above Deck
Electronics w/ Flow
Control Setting Switches.
Optional DC Power w/
6 V Lithium Battery.

Temperature Mixing Handle
w/ Color Coded Index
(Optional Plug Included to
Replace Handle When
Temperature is Preset)

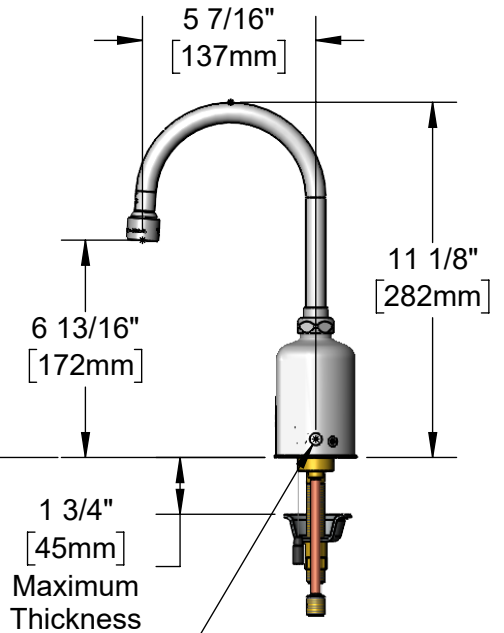
Removable
Anti-Rotation Pin

Mounting
Surface

13/16"
[21mm]

Connection to
Power Supply

18" [457mm] Flexible
Stainless Steel Supply
Hoses



5 7/16"
[137mm]

6 13/16"
[172mm]

11 1/8"
[282mm]

1 3/4"
[45mm]
Maximum
Thickness

Shown w/ Optional
Plug Installed When
Water Temperature
is Preset (Included)



Optional 100-240 VAC
Adapter w/ 72" [1830mm]
Power Cord

Hydro-Generator Power Supply.
No Battery or AC Adapter
Needed to Supply Power to Faucet

Check Valve Adapters
w/ 3/8" Compression
(9/16-24 UN) Inlets

Rough-In Requirement:

Ø 1 1/4" [32mm] Mounting Hole

Ø 3/16" [5mm] Anti-Rotation Pin Hole (Optional)

Product Specifications:

Chrome Plated Brass Above Deck Electronics Faucet, Single Hole Deck Mount, 5 7/16" Gooseneck w/ 0.5 GPM VR Non-Aerated Spray Device, Point-of-Use Temperature Control, Hydro-Generator Powered, Flexible Stainless Steel Supply Hoses & 3/8" Compression Inlets

Product Compliance:

ASME A112.18.1 / CSA B125.1
NSF 61 - Section 9
NSF 372 (Low Lead Content)
ANSI A117.1 (ADA)
UL 1951



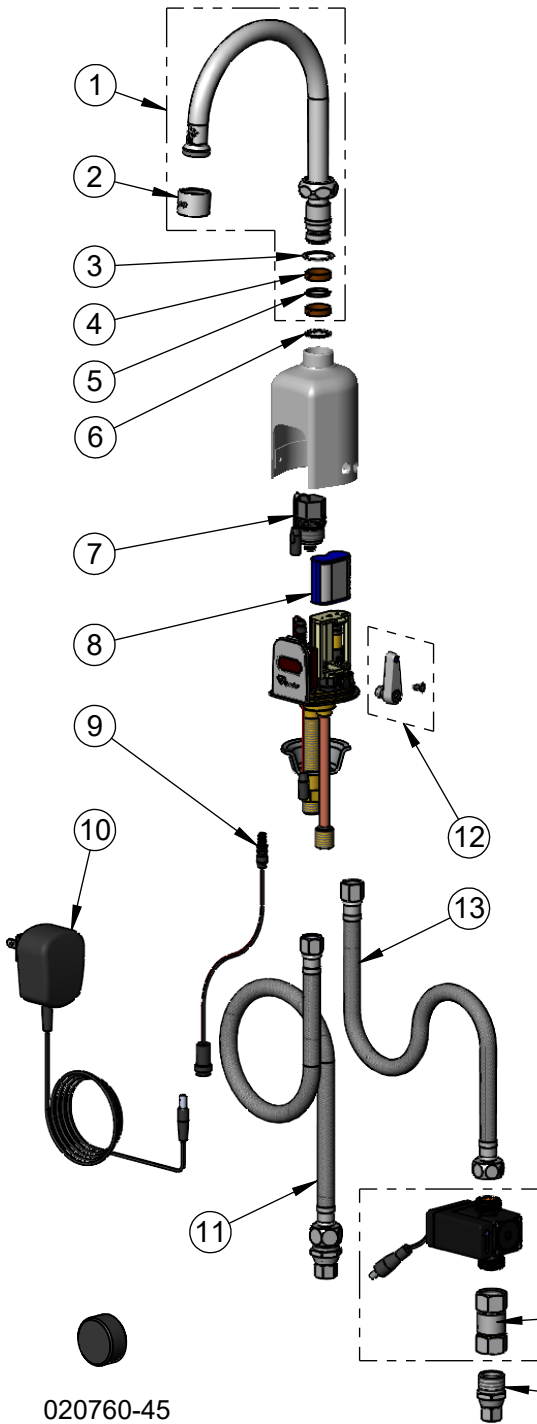
T&S BRASS AND BRONZE WORKS, INC.

2 Saddleback Cove / P.O. Box 1088
Travelers Rest, SC 29690

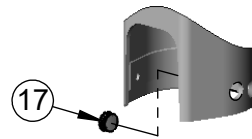
Model No.
EC-3130-VF05-HG

Item No.

Travelers Rest, SC: 800-476-4103 • Simi Valley, CA: 800-423-0150 • Fax: 864-834-3518 • www.tsbrass.com



020760-45
Sensor Range
Set-Up Magnet



Optional Plug Replaces
Lever Handle When
Pre-setting Temperature
(Installs from Inside of Body)



015425-45
VR Aerator Key



018543-45
Torx T-20
VR L-Key

ITEM NO.	SALES NO.	DESCRIPTION
1	019283-40	Swivel Gooseneck w/ VR 0.5 GPM Non-Aerated Spray Device & Key
2	B-0199-06-N05	VR 0.5 GPM Non-Aerated Spray Device, 55/64-27 UN Female w/ Key
3	009538-45	Swivel Washer
4	011429-45	Swivel Sleeves (2)
5	001074-45	O-Ring
6	014200-45	Star Washer, Anti-Rotation
7	020330-45	Solenoid Valve, M22 x 2 Male Thd
8	019087-45	6VDC Lithium Battery, CR-P2
9	020417-45	Aux. Power Connector Cable
* 10	5EF-0002C	AC Adapter - US Plug
* 11	018544-45	SS Flex Hose w/ Check Valve Adapter
12	020270-45	Lever Asm & Body Screw Kit w/ L-Key
* 13	5EF-0005	Supply Hose, 9/16-24 Female x 1/2" NPSM
14	EC-HYDROGEN-LF	Low Flow Hydro-Generator
15	017506-45	Swivel Coupling Body
16	019564-45	Check Valve Adapter Body
* 17	020426-45	Body Plug, Pre-Set Temperature

* For Versions Prior to 2024, Consult with T&S Customer Service

Flow Control Switches are Located Behind the Sensor.

Switches are set to DEFAULT position:

- Auto Time Out = 15 seconds
- Shut Off Delay = 1 second
- Auto Flush = OFF
- Metering Mode = OFF

Available Water Flow Control Selections:

- Auto Time Out: 15 sec, 30 sec, 45 sec, 60 sec, 3 min, 20 min
- Shut Off Delay: 1 sec, 10 sec, 15 sec, 30 sec
- Auto Flush (30 Seconds After Every 12 Inactive Hours): ON or OFF
- Metering Mode = ON or OFF

Product Specifications:

Chrome Plated Brass Above Deck Electronics Faucet, Single Hole Deck Mount, 5 7/16" Gooseneck w/ 0.5 GPM VR Non-Aerated Spray Device, Point-of-Use Temperature Control, Hydro-Generator Powered, Flexible Stainless Steel Supply Hoses & 3/8" Compression Inlets

Product Compliance:

ASME A112.18.1 / CSA B125.1
NSF 61 - Section 9
NSF 372 (Low Lead Content)
ANSI A117.1 (ADA)
UL 1951