



This Space for Architect/Engineer Approval

Job Name _____ Date _____

Model Specified _____ Quantity _____

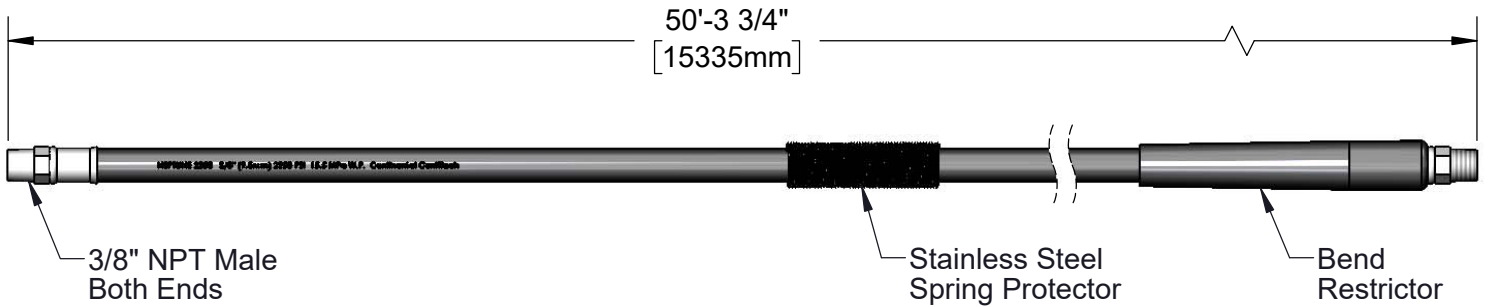
Customer/Wholesaler _____

Contractor _____

Architect/Engineer _____

NOTES:

1. HOSE CONSTRUCTION:
 - A. LENGTH = 50 FT.
 - B. MAX PRESSURE = 225 PSI
 - C. MAX TEMP = 180 °F.
 - D. 3/8" I.D. ONE WIRE TUBING.
 - E. SAE 100R1AT RATING.



Model Number <h2 style="text-align: center;">5HR-2HSE-50</h2>	Product Specifications: <p style="text-align: center;">50 Ft. Black Hose Assembly, Medium Pressure(225 psi) 3/8" NPT Male Both Ends, Spring Protector and Bend Restrictor</p>
--	---

Product Compliance: NSF 61 Exempt (Non-Potable)
--

equip
Foodservice
Accessories

by

2 Saddleback Cove, P.O. Box 1088
Travelers Rest, South Carolina 29690
Phone: 800.891.4808 Fax: 800.868.0084
equip.tsbrass.com