



T&S BRASS AND BRONZE WORKS, INC.

2 Saddleback Cove / P.O. Box 1088
Travelers Rest, SC 29690

Model No.

B-2744

Item No.

Travelers Rest, SC: 800-476-4103 • Simi Valley, CA: 800-423-0150 • Fax: 864-834-3518 • www.tsbrass.com



ADA Compliant

This Space for Architect/Engineer Approval

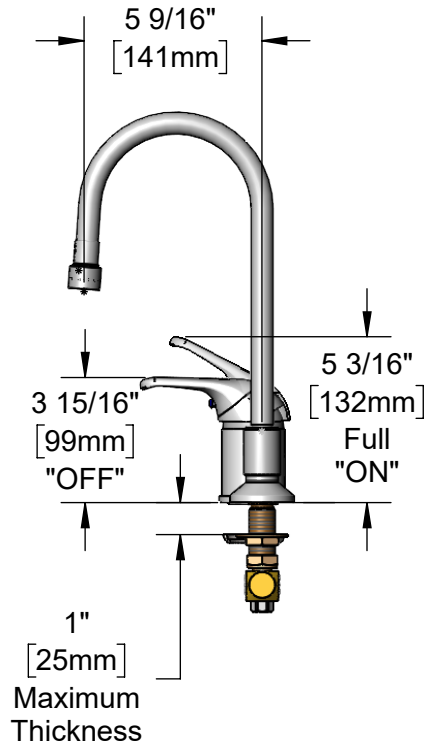
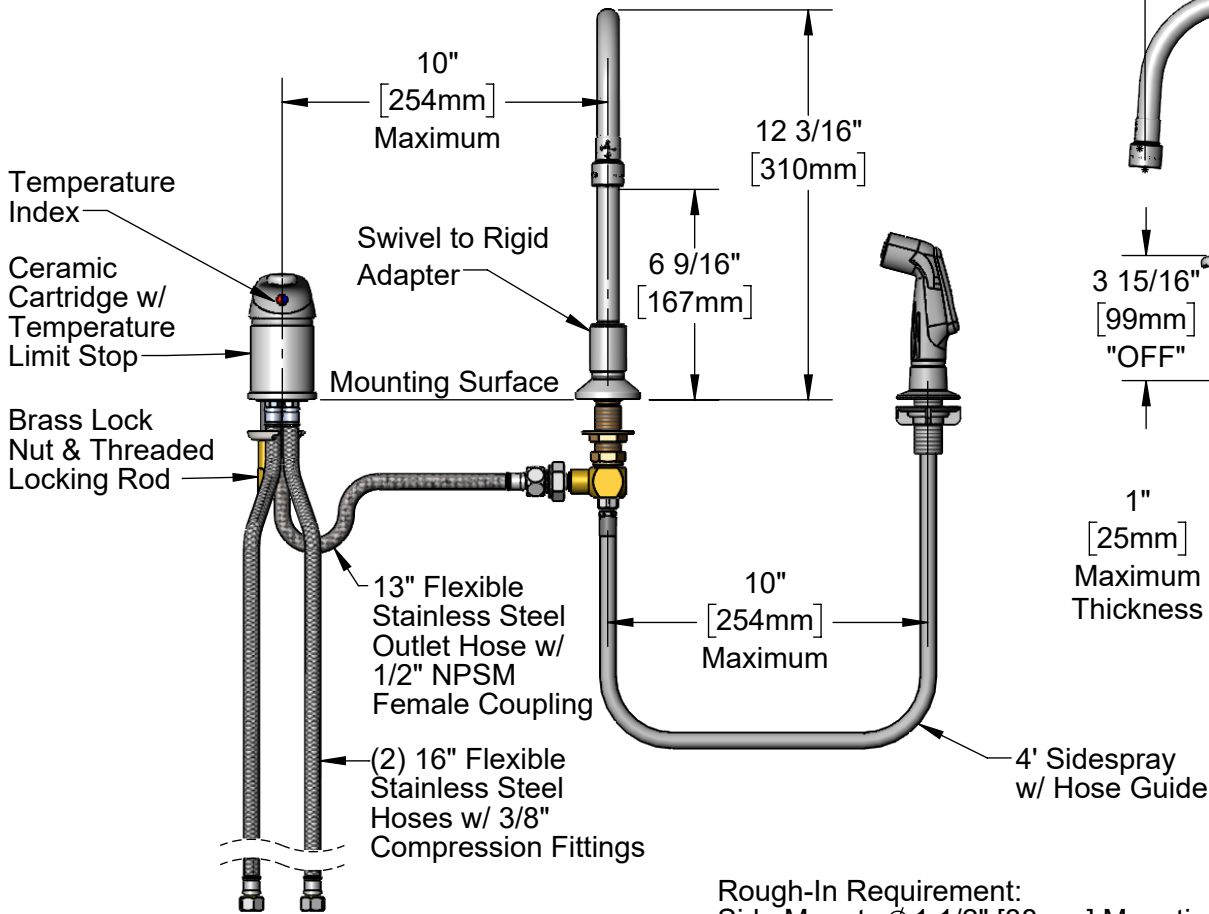
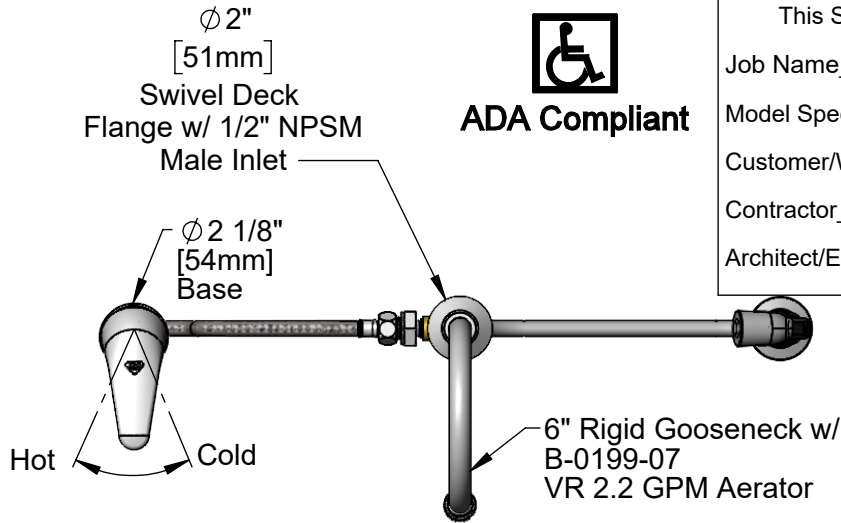
Job Name _____ Date _____

Model Specified _____ Quantity _____

Customer/Wholesaler _____

Contractor _____

Architect/Engineer _____



Rough-In Requirement:
 Side Mount: $\phi 1 \frac{1}{2}"$ [38mm] Mounting Hole
 Swivel Deck Flange & Sidespray: $\phi 1"$ [25mm] Mounting Hole

Product Specifications:

Single Lever Side Mount Faucet, Ceramic Cartridge, Remote On/Off Control Base, Rigid Gooseneck, Vandal Resistant 2.2 GPM Aerator, 4' Sidespray & (2) 16" Flexible Stainless Steel Supply Hoses

Product Compliance:

ASME A112.18.1 / CSA B125.1
 NSF 61 - Section 9
 NSF 372 (Low Lead Content)
 ANSI A117.1 (ADA)



T&S BRASS AND BRONZE WORKS, INC.

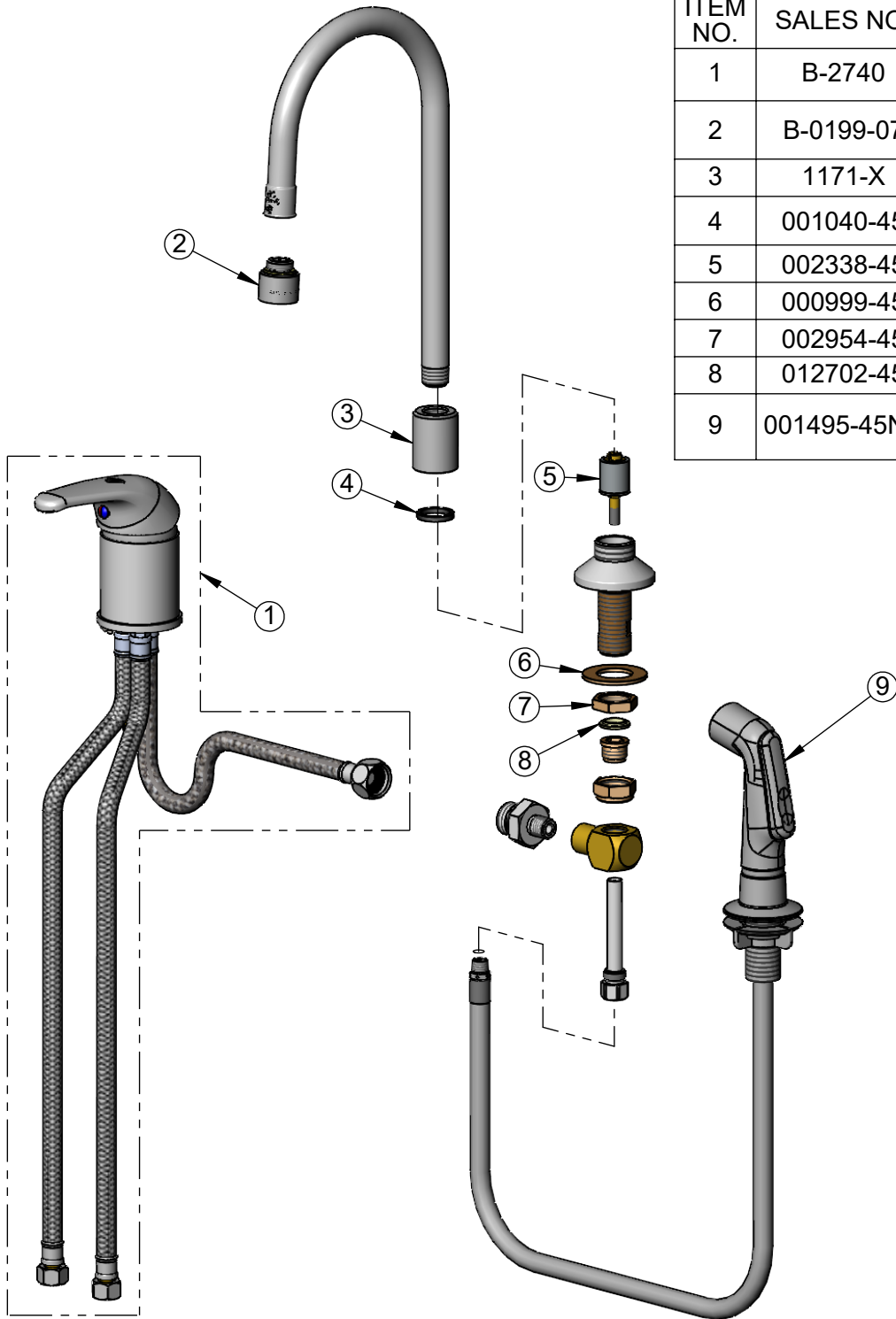
2 Saddleback Cove / P.O. Box 1088
Travelers Rest, SC 29690

Model No.

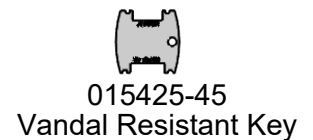
B-2744

Item No.

Travelers Rest, SC: 800-476-4103 • Simi Valley, CA: 800-423-0150 • Fax: 864-834-3518 • www.tsbrass.com



ITEM NO.	SALES NO.	DESCRIPTION
1	B-2740	Side Mount Single Lever Control Faucet
2	B-0199-07	Vandal Resistant 2.2 GPM Aerator, 3/8" NPSM Male
3	1171-X	Diverter Adapter
4	001040-45	Washer, 3/4 ID x 15/16 OD x 1/8 thick
5	002338-45	Diverter Valve
6	000999-45	Brass Lock Washer
7	002954-45	Shank Lock Nut
8	012702-45	Washer, Cross Body
9	001495-45NS	4' Sidespray & Hose Guide, New Style



Product Specifications:

Single Lever Side Mount Faucet, Ceramic Cartridge, Remote On/Off Control Base, Rigid Gooseneck, Vandal Resistant 2.2 GPM Aerator, 4' Sidespray & (2) 16" Flexible Stainless Steel Supply Hoses

Product Compliance:

ASME A112.18.1 / CSA B125.1
NSF 61 - Section 9
NSF 372 (Low Lead Content)
ANSI A117.1 (ADA)