



# T&S BRASS AND BRONZE WORKS, INC.

2 Saddleback Cove / P.O. Box 1088  
Travelers Rest, SC 29690

Model No.

**TPS1000-BS1**

Item No.

Travelers Rest, SC: 800-476-4103 • Simi Valley, CA: 800-423-0150 • Fax: 864-834-3518 • www.tsbrass.com

This Space for Architect/Engineer Approval

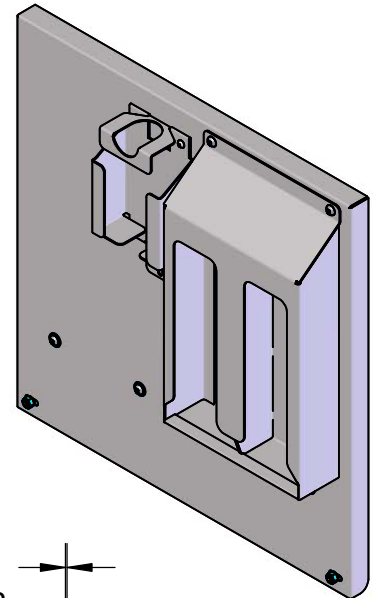
Job Name \_\_\_\_\_ Date \_\_\_\_\_

Model Specified \_\_\_\_\_ Quantity \_\_\_\_\_

Customer/Wholesaler \_\_\_\_\_

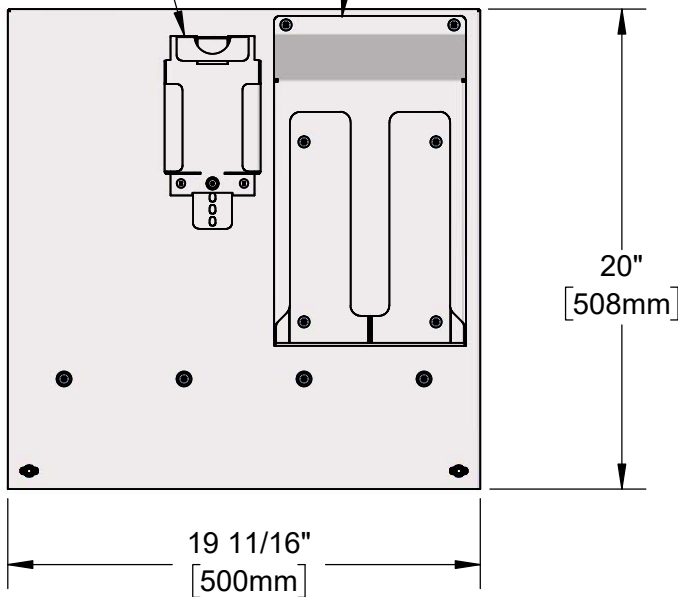
Contractor \_\_\_\_\_

Architect/Engineer \_\_\_\_\_

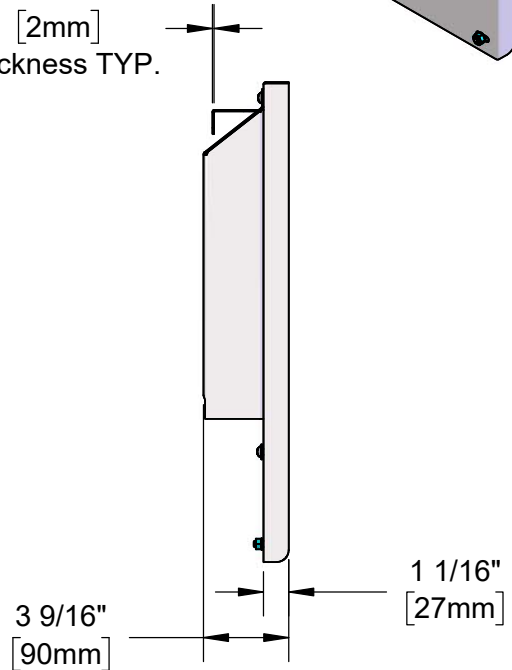


Soap Dispenser Fits  
3 7/8" Wide x 2"  
Deep x 5" to 8" Tall  
Soap Bottle

Bay is Designed to 1/2  
Ream of 150-count, 1-ply  
Sheets (3.7" x 10.1")  
Paper Towels



1/16"  
[2mm]  
Thickness TYP.



Product Specifications:  
Stainless Steel Backsplash w/ Soap Dispenser and Paper Towel Holder

Product Compliance: