



T&S BRASS AND BRONZE WORKS, INC.

2 Saddleback Cove / P.O. Box 1088
Travelers Rest, SC 29690

Model No.

MPY-8DLN-06

Item No.

Travelers Rest, SC: 800-476-4103 • Simi Valley, CA: 800-423-0150 • Fax: 864-834-3518 • www.tsbrass.com

This Space for Architect/Engineer Approval

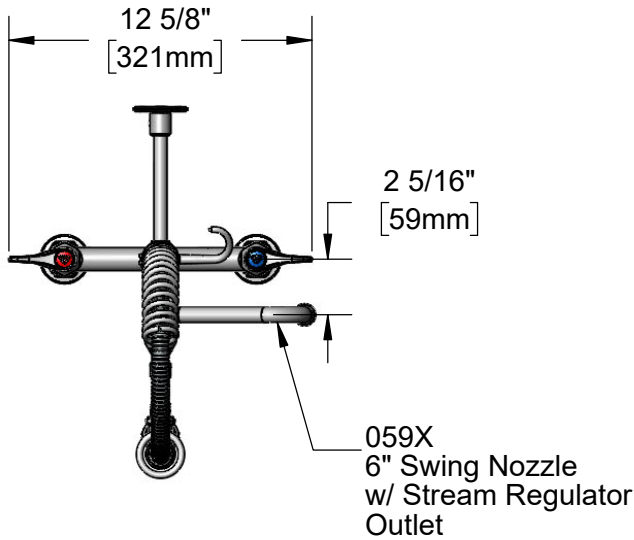
Job Name _____ Date _____

Model Specified _____ Quantity _____

Customer/Wholesaler _____

Contractor _____

Architect/Engineer _____



24" Flexible Stainless Steel Hose w/ Spring & Spray Valve

B-0107-C
0.65 GPM Low Flow Spray Valve

Items Not Shown For Clarity

3/8" NPT x 8" Riser

6" [152mm]

7 3/8" [187mm]

Finger Hook

B-0109-01
6" Wall Bracket

24 9/16" [624mm]

EasyInstall Add-On Faucet w/ Quarter-Turn Eterna Cartridge & Lever Handle

Mounting Surface

5 3/16" [131mm]

12 9/16" [320mm]

9 1/2" [241mm]

7 1/2" [191mm]

8" [203mm]
Adjustable From 7 3/4" to 8 1/4" [197mm to 210mm]

Quarter-Turn Eterna Cartridges w/ Spring Checks & Lever Handles w/ Color Coded Indexes

Ø 2" [51mm] Flanges w/ 1/2" NPT Female Inlets

Product Specifications:

Pre-Rinse Unit: EasyInstall 8" Deck Mount Mixing Faucet, Quarter-Turn Eterna Cartridges w/ Spring Checks, Lever Handles, Add-On Faucet w/ 6" Swing Nozzle, Compact Spring, 24" Flexible Stainless Steel Hose, 0.65 GPM Low Flow Spray Valve, 6" Wall Bracket & 1/2" NPT Female Inlets

Product Compliance:

ASME A112.18.1 / CSA B125.1
NSF 61 - Section 9
NSF 372 (Low Lead Content)
2019 DOE PRSV - Class I
For Commercial Use Only



T&S BRASS AND BRONZE WORKS, INC.

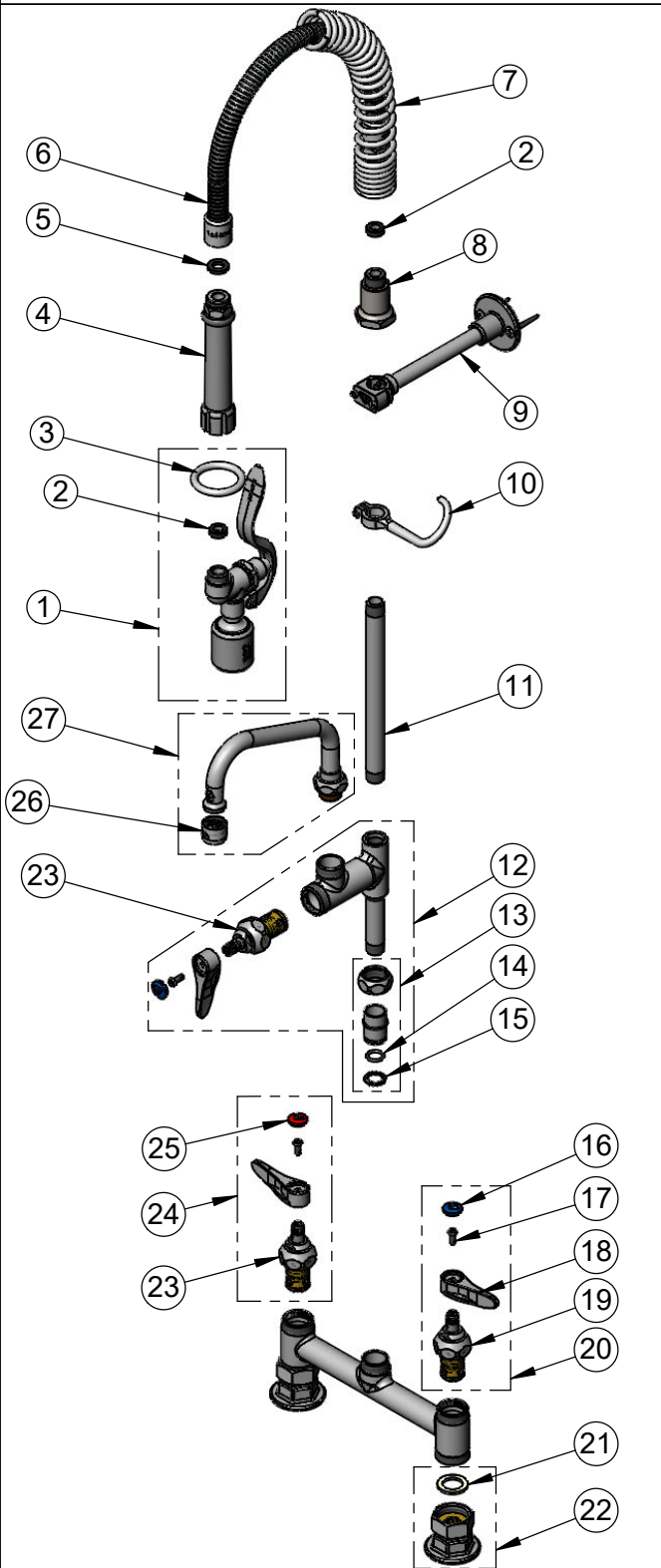
2 Saddleback Cove / P.O. Box 1088
Travelers Rest, SC 29690

Model No.

MPY-8DLN-06

Item No.

Travelers Rest, SC: 800-476-4103 • Simi Valley, CA: 800-423-0150 • Fax: 864-834-3518 • www.tsbrass.com



ITEM NO.	SALES NO.	DESCRIPTION
1	B-0107-C	0.65 GPM Low Flow Spray Valve
2	010476-45	#27 Washer
3	000907-45	Spray Valve Hold Down Ring
4	002987-40	Grip Handle
5	001014-45	Washer, B-0100 Hose Barrel
6	B-0024-H2A	24" Flexible Stainless Steel Hose, Less Handle
7	016795-45	Compact Spring
8	000821-40	Spring Body
9	B-0109-01	6" Wall Bracket
10	004R	Finger Hook
11	078X	3/8" NPT x 8" Riser
12	B-0155-LNEZ	EasyInstall Add-On Faucet w/ Quarter-Turn Eterna Cartridge w/ Spring Check, Handle, Blue Index & Screw, RTC
13	EZ-K	EasyInstall Kit: Nut, Bushing, O-Ring & Lock Washer
14	001065-45	O-Ring
15	014200-45	Star Washer, Anti-Rotation
16	018506-19NS	Blue Button Index, Press-in
17	000925-45	Lab Handle Screw
18	001638-45NS	Lever Handle (New Style)
19	012442-40NS	Quarter-Turn Eterna Cartridge w/ Spring Check, LTC
20	002711-40NS	Quarter-Turn Eterna Cartridge w/ Spring Check, Handle, Blue Index & Screw, LTC
21	001019-45	Coupling Nut Washer
22	00AA	1/2" NPT Female Eccentric Flange
23	012443-40NS	Quarter-Turn Eterna Cartridge w/ Spring Check, RTC
24	002712-40NS	Quarter-Turn Eterna Cartridge w/ Spring Check, Handle, Red Index & Screw, RTC
25	001193-19NS	Red Button Index, Press-in
26	B-PT	Full Flow Stream Regulator, 55/64-27
27	059X	6" Swing Nozzle

Product Specifications:
Pre-Rinse Unit: EasyInstall 8" Deck Mount Mixing Faucet, Quarter-Turn Eterna Cartridges w/ Spring Checks, Lever Handles, Add-On Faucet w/ 6" Swing Nozzle, Compact Spring, 24" Flexible Stainless Steel Hose, 0.65 GPM Low Flow Spray Valve, 6" Wall Bracket & 1/2" NPT Female Inlets

Product Compliance:
ASME A112.18.1 / CSA B125.1
NSF 61 - Section 9
NSF 372 (Low Lead Content)
2019 DOE PRSV - Class I
For Commercial Use Only