



T&S BRASS AND BRONZE WORKS, INC.

2 Saddleback Cove / P.O. Box 1088
Travelers Rest, SC 29690

Model No.

P3-8WESV-08M-CR

Item No.

Travelers Rest, SC: 800-476-4103 • Simi Valley, CA: 800-423-0150 • Fax: 864-834-3518 • www.tsbrass.com

This Space for Architect/Engineer Approval

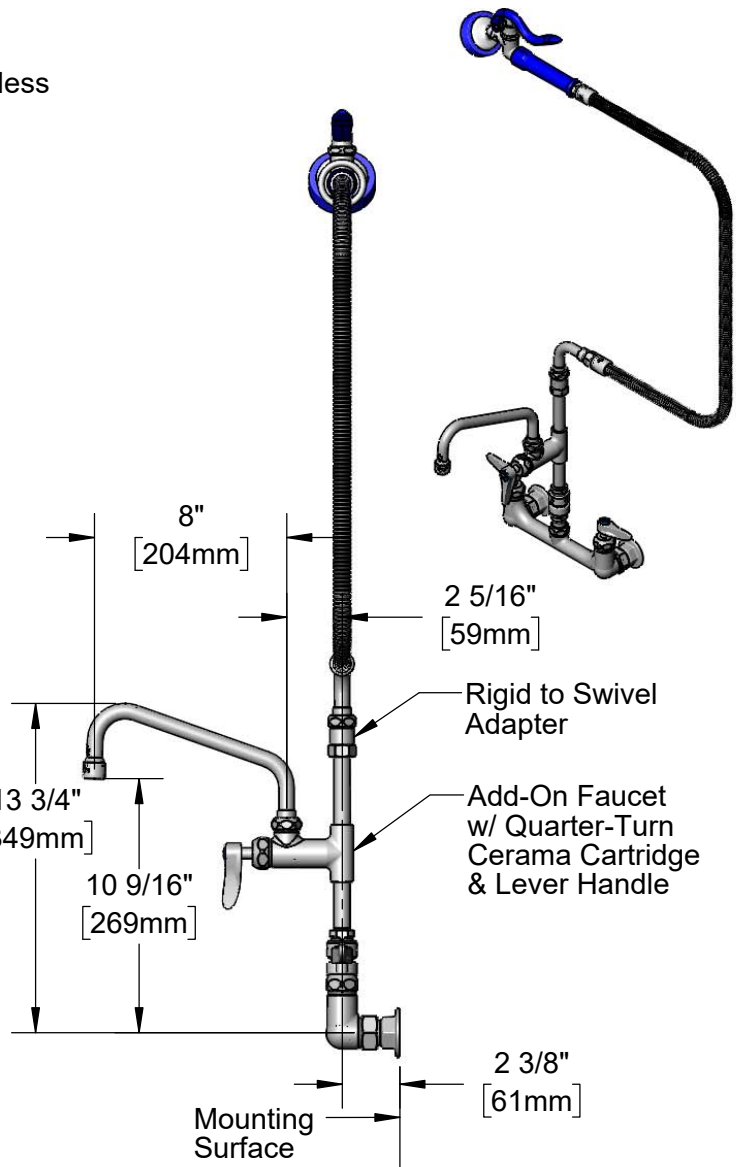
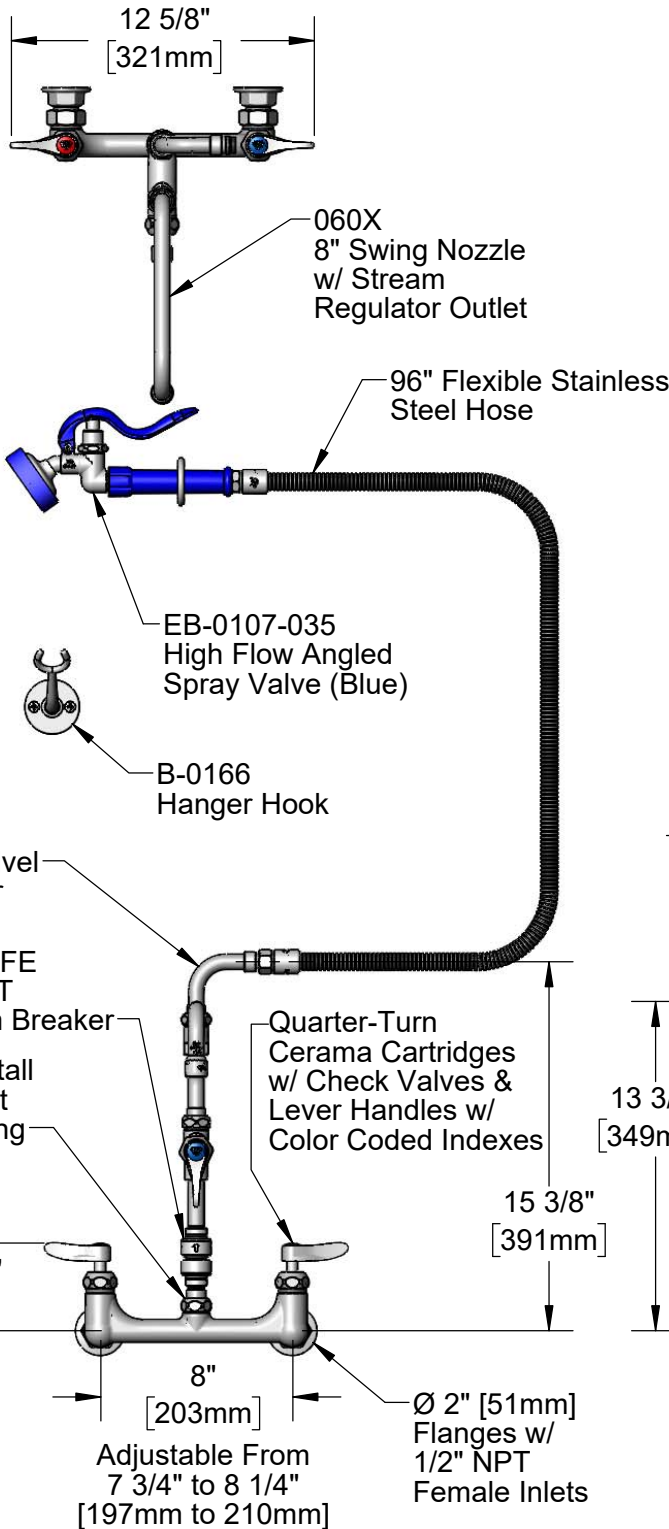
Job Name _____ Date _____

Model Specified _____ Quantity _____

Customer/Wholesaler _____

Contractor _____

Architect/Engineer _____



Product Specifications:

8" Wall Mount Mixing Faucet, Quarter-Turn Cerama Cartridges w/ Check Valves, Lever Handles, Add-On Faucet, 8" Swing Nozzle w/ Stream Regulator Outlet, Vacuum Breaker, High Flow Angled Spray Valve (Blue), 96" Flexible Stainless Steel Hose & 1/2" NPT Female Inlets

Product Compliance:

ASME A112.18.1 / CSA B125.1
NSF 61 Exempt (Non-Potable)
CSA B64.8 (VB)
2019 DOE PRSV Non-Compliant



T&S BRASS AND BRONZE WORKS, INC.

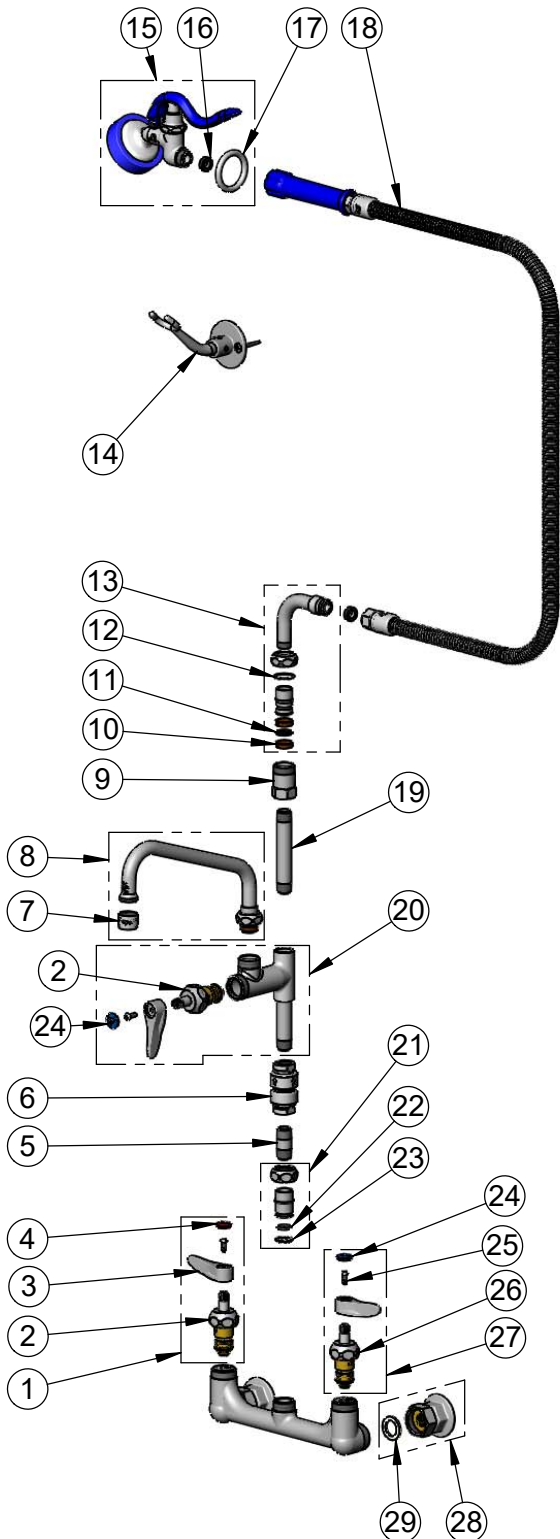
2 Saddleback Cove / P.O. Box 1088
Travelers Rest, SC 29690

Model No.

P3-8WESV-08M-CR

Item No.

Travelers Rest, SC: 800-476-4103 • Simi Valley, CA: 800-423-0150 • Fax: 864-834-3518 • www.tsbrass.com



ITEM NO.	SALES NO.	DESCRIPTION
1	012446-25NS	Quarter-Turn Cerama Cartridge w/ Check Valve, Handle, Red Index & Screw, RTC
2	012394-25NS	Quarter-Turn Cerama Cartridge w/ Check Valve, RTC
3	001638-45NS	Lever Handle (New Style)
4	001193-19NS	Red Button Index, Press-in
5	002341-40	Nipple, 3/8" NPT x 1 1/2"
6	B-0970-FE	3/8" NPT Vacuum Breaker
7	B-PT	Full Flow Stream Regulator, 55/64-27
8	060X	8" Swing Nozzle
9	054X	Swivel Body
10	011429-45	Swivel Sleeves (2)
11	001074-45	O-Ring
12	009538-45	Swivel Washer
13	034A	90° Swivel Adapter
14	B-0166	Wall Hook
15	EB-0107-035	High Flow Angled Spray Valve (Blue)
16	010476-45	#27 Washer
17	000907-45	Spray Valve Hold Down Ring
18	EB-0096-H	96" Flexible Stainless Steel Hose w/ Blue Grip Handle
19	000360-40	Nipple, 3/8" NPT x 4"
20	B-0155-CR-LN	Add-On Faucet w/ Quarter-Turn Cerama Cartridge, Less Nozzle
21	EZ-K	EasyInstall Kit
22	001065-45	O-Ring
23	014200-45	Star Washer, Anti-Rotation
24	018506-19NS	Blue Button Index, Press-in
25	000925-45	Lab Handle Screw
26	012395-25NS	Quarter-Turn Cerama Cartridge w/ Check Valve, LTC
27	012447-25NS	Quarter-Turn Cerama Cartridge w/ Check Valve, Handle, Blue Index & Screw, LTC
28	00AA	1/2" NPT Female Eccentric Flange
29	001019-45	Coupling Nut Washer

Product Specifications:

8" Wall Mount Mixing Faucet, Quarter-Turn Cerama Cartridges w/ Check Valves, Lever Handles, Add-On Faucet, 8" Swing Nozzle w/ Stream Regulator Outlet, Vacuum Breaker, High Flow Angled Spray Valve (Blue), 96" Flexible Stainless Steel Hose & 1/2" NPT Female Inlets

Product Compliance:

ASME A112.18.1 / CSA B125.1
NSF 61 Exempt (Non-Potable)
CSA B64.8 (VB)
2019 DOE PRSV Non-Compliant