



T&S BRASS AND BRONZE WORKS, INC.
 2 Saddleback Cove / P.O. Box 1088
 Travelers Rest, SC 29690

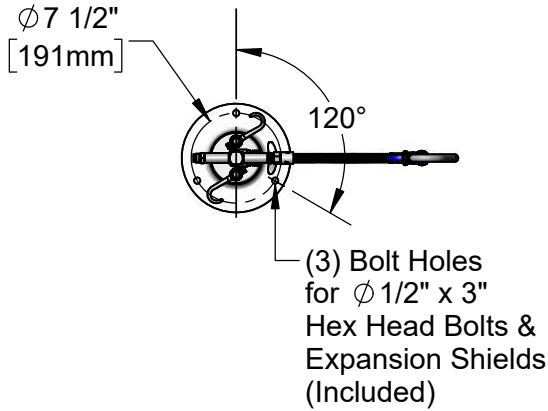
Model No.
B-0190

Item No.

Travelers Rest, SC: 800-476-4103 • Simi Valley, CA: 800-423-0150 • Fax: 864-834-3518 • www.tsbrass.com

This Space for Architect/Engineer Approval

Job Name _____ Date _____
 Model Specified _____ Quantity _____
 Customer/Wholesaler _____
 Contractor _____
 Architect/Engineer _____



EB-0107-035
 High Flow Angled
 Spray Valve
 (Blue)

EB-0104-H
 Flexible Stainless
 Steel Hose w/
 Blue Grip
 Handle

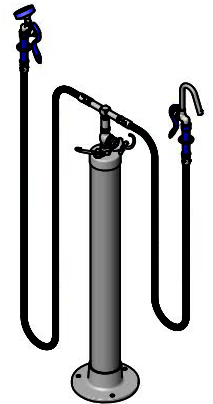
Pot Filling
 Hook Nozzle

Items Not Shown
 For Clarity

Swivel Joint

(2) 002852-40
 Hook & Bolt

EB-0068-H
 Flexible Stainless
 Steel Hose w/
 Blue Grip
 Handle



9 1/2"
 [242mm]
 Appx. When
 Hose is Hanging

9 1/2"
 [242mm]
 Appx. When
 Hose is Hanging

6 1/2"
 [165mm]

45 5/16"
 [1152mm]

Mounting
 Surface

$\phi 9 \frac{1}{16}''$
 [230mm]

Rough-In Requirement:
 Assembly Connects to a 1/2" Pipe Nipples Roughed in
 From Floor on 2" Centers to a Height of 6"

Product Specifications:
 Kettle Kaddy Combination Kettle Filler Spray Stanchion, Control Valve,
 104" and 68" Flexible Stainless Steel Hoses, Hook Nozzle & High Flow Spray
 Valve

Product Compliance:
 ASME A112.18.1 / CSA B125.1
 NSF 61 - Section 9
 NSF 372 (Low Lead Content)
 2019 DOE PRSV Non-Compliant



T&S BRASS AND BRONZE WORKS, INC.

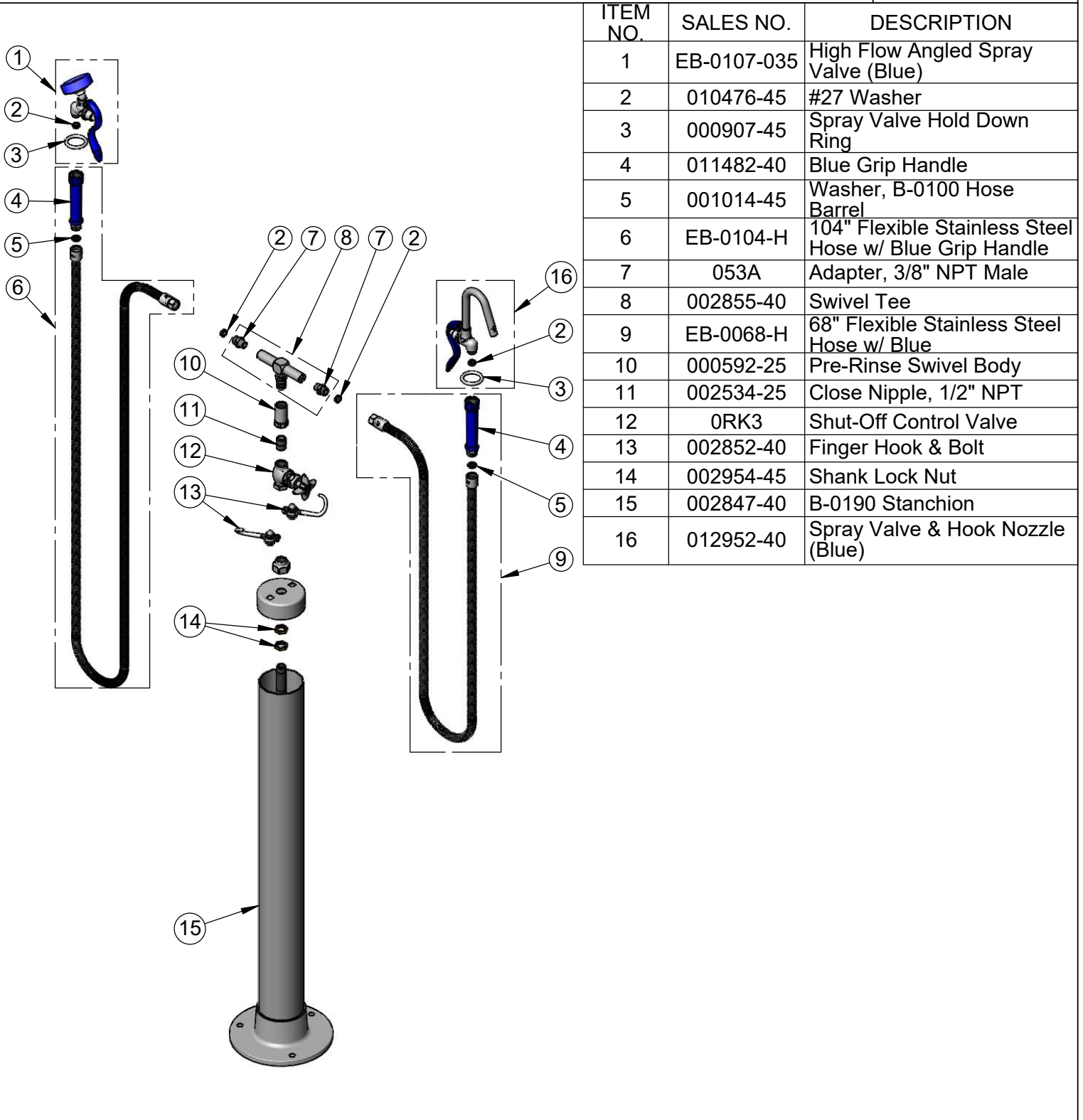
2 Saddleback Cove / P.O. Box 1088
Travelers Rest, SC 29690

Model No.

B-0190

Item No.

Travelers Rest, SC: 800-476-4103 • Simi Valley, CA: 800-423-0150 • Fax: 864-834-3518 • www.tsbrass.com



ITEM NO.	SALES NO.	DESCRIPTION
1	EB-0107-035	High Flow Angled Spray Valve (Blue)
2	010476-45	#27 Washer
3	000907-45	Spray Valve Hold Down Ring
4	011482-40	Blue Grip Handle
5	001014-45	Washer, B-0100 Hose Barrel
6	EB-0104-H	104" Flexible Stainless Steel Hose w/ Blue Grip Handle
7	053A	Adapter, 3/8" NPT Male
8	002855-40	Swivel Tee
9	EB-0068-H	68" Flexible Stainless Steel Hose w/ Blue
10	000592-25	Pre-Rinse Swivel Body
11	002534-25	Close Nipple, 1/2" NPT
12	0RK3	Shut-Off Control Valve
13	002852-40	Finger Hook & Bolt
14	002954-45	Shank Lock Nut
15	002847-40	B-0190 Stanchion
16	012952-40	Spray Valve & Hook Nozzle (Blue)

Product Specifications:
Kettle Kaddy Combination Kettle Filler Spray Stanchion, Control Valve, 104" and 68" Flexible Stainless Steel Hoses, Hook Nozzle & High Flow Spray Valve

Product Compliance:
ASME A112.18.1 / CSA B125.1
NSF 61 - Section 9
NSF 372 (Low Lead Content)
2019 DOE PRSV Non-Compliant