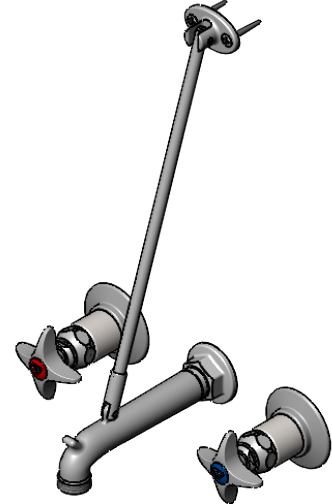
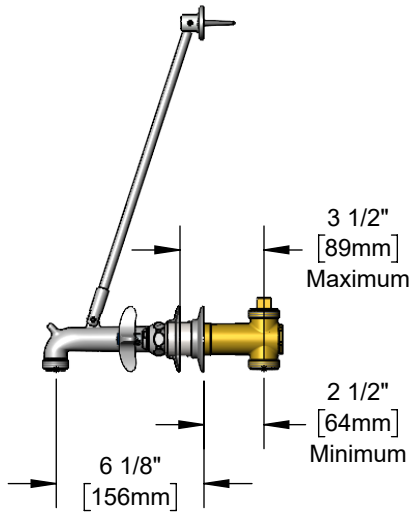
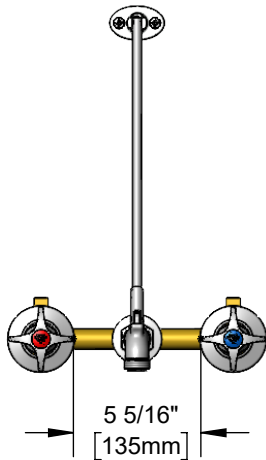




#### Architect/Engineering Specifications:

8" wall mount concealed mixing faucet with brass body, polished chrome plated brass spout with pail hook and garden hose outlet, compression cartridges with spring checks, 4-arm handles, upper wall support rod and 1/2" NPT female inlets and outlet. Certified to ASME A112.18.1/CSA B125.1, NSF 61-section 9 and NSF 372. Meets ADA ANSI/ICC A117.1 requirements

Job Name \_\_\_\_\_  
 Model Specified \_\_\_\_\_ Quantity \_\_\_\_\_  
 Variations Specified \_\_\_\_\_  
 Date \_\_\_\_\_



#### Features & Benefits:

- 8" concealed bypass mixing valve w/ 1/2" NPT female union inlet connections
- Ø2 3/16" polished chrome plated brass adjustable wall flanges & sleeves
- Polished chrome plated spout assembly w/ Ø2" wall flange, pail hook & male garden hose outlet
- Quarter-turn Eterna compression cartridges w/ spring checks to prevent cross flow of water
- 4-arm handles w/ color coded indexes
- 1/2" NPT female inlets (may be supplied from above or below)
- Upper wall support rod
- Material: Brass bodies with polished chrome plated adjustable flanges, support rod and chrome plated metal handles

#### Product Compliance:

- ASME A112.18.1 / CSA B125.1
- NSF 61 - Section 9
- NSF 372 (Low Lead Content)
- ANSI A117.1 (ADA)



ADA Compliant

**Warranty:** One Year (Limited)

#### Performance Data:

- Pressure: 20 - 125 psi [1.38 - 8.62 bar]
- Temperature: 40°F - 140°F [4.44°C - 60°C]
- Flow Rate: 11.06 GPM [41.9 L/min] @ 60 psi [4.14 bar]

#### Optional Handles

- 4" Wrist Action
- Lever
- 4-Arm (Standard)

#### Optional Cartridges With Checks

- Quarter-Turn Cerama w/ Check Valve
- Quarter-Turn Eterna w/ Spring Check (Standard)

