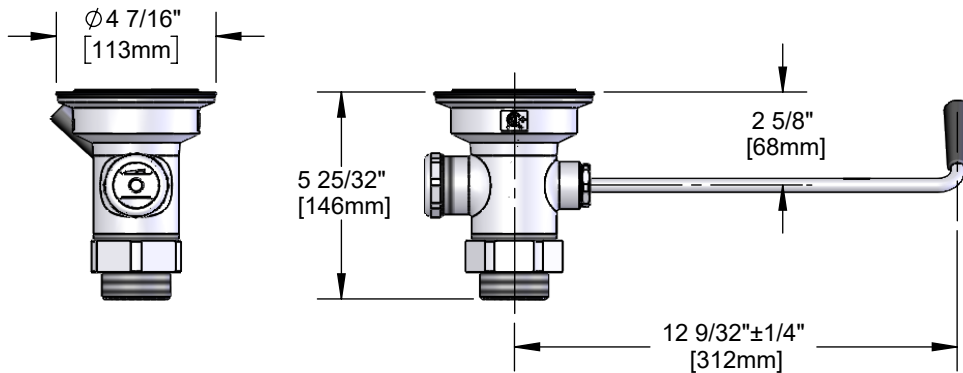
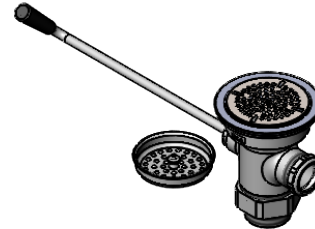




**Architect/Engineering Specifications:**

Rotary waste valve for 3 1/2" sink opening with rough chrome plated body, 2" NPT male outlet / 1 1/2" NPT female outlet, twist handle with heat resistant plastic grip, 2" NPT female x 1 1/2" NPT male adapter, 3 1/2" snap-in removable strainer, overflow outlet with cap and removable strainer basket. Certified to ASME A112.18.2/CSA B125.2

Job Name \_\_\_\_\_  
 Model Specified \_\_\_\_\_ Quantity \_\_\_\_\_  
 Variations Specified \_\_\_\_\_  
 Date \_\_\_\_\_



**Features & Benefits:**

- Rotary waste valve for 3 1/2" sink opening w/ rough chrome plated brass body
- 2" NPT male outlet / 1 1/2" NPT female outlet
- Twist handle w/ heat resistant plastic grip
- 2" NPT female x 1 1/2" NPT male adapter
- 3 1/2" snap-in removable strainer
- Removable strainer basket
- Overflow outlet w/ cap & sealing washer
- Material: Rough chrome plated brass body & adapter and stainless steel handle & flat strainer

**Product Compliance:**

- ASME A112.18.2 / CSA B125.2

**Warranty:** One Year (Limited)

**Performance Data:**

- Discharge Rate: 17.14 GPM [64.88 L/min] max
- Temperature: 40°F - 180°F [4.44°C - 82.2°C]

