



# Washdown Stations

## MV-0771-12CW

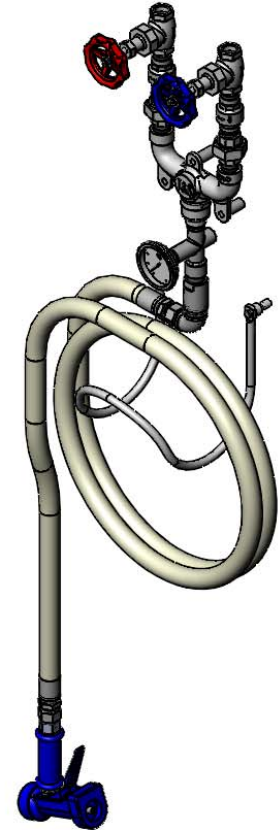
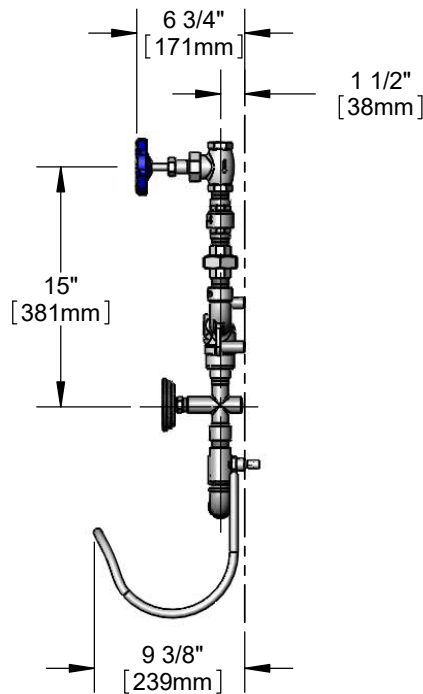
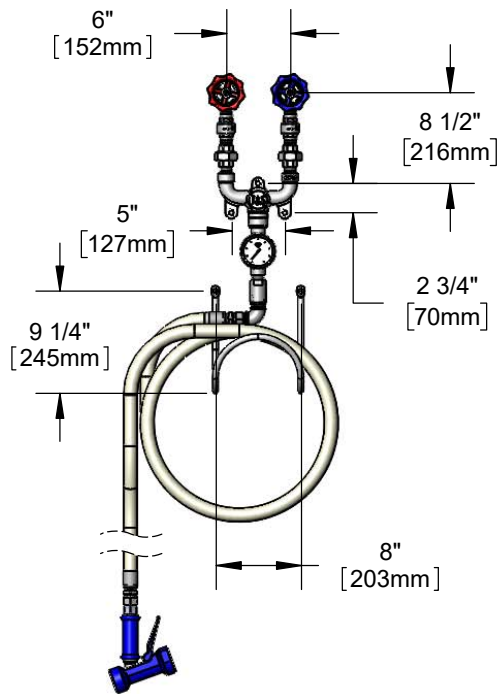
TAG:

### Mixing Valve

#### Architect/Engineering Specifications:

Chrome plated washdown station w/ 3/4" mixing valve, thermometer, 50' hose, rear trigger stainless steel water gun & hose rack.

Job Name \_\_\_\_\_  
 Model Specified \_\_\_\_\_ Quantity \_\_\_\_\_  
 Variations Specified \_\_\_\_\_  
 Date \_\_\_\_\_



#### Features & Benefits:

- Rear trigger stainless steel water gun w/ rubber cover and 7/16" orifice
- Brass thermometer tee
- Stainless steel thermometer, temperature range 0 °F - 200 °F
- 3/4" I.D. x 50' creamery hose w/ inlet swivel
- Stainless steel hose rack w/ mounting hardware
- Material: Chrome plated brass tee, stainless steel thermometer & water gun and rubber hose

#### Product Compliance:

- NSF 61 Exempt (Non-Potable)

**Warranty:** One Year (Limited)

#### Performance Data:

- Pressure: 20 - 125 psi [1.38 - 8.62 bar]
- Temperature: 40 °F - 200 °F [4.44 °C - 93.3 °C]
- Flow Rate: 10.60 GPM [40.1 L/min] @ 60 psi [4.14 bar]



T&S BRASS AND BRONZE WORKS, INC.



• 2 Saddleback Cove • Travelers Rest, SC 29690  
 Ph 800-476-4103 • Fax 864-834-3518  
 • Simi Valley, CA • Ph 800-423-0150 • www.tsbrass.com

Date: 07/17/20