



# T&S BRASS AND BRONZE WORKS, INC.

2 Saddleback Cove / P.O. Box 1088  
Travelers Rest, SC 29690

Model No.

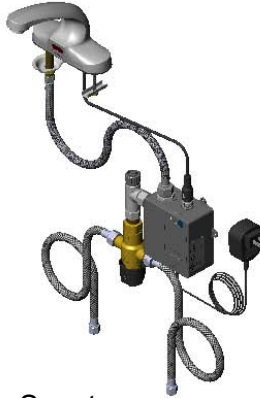
**EC-3104-TMV**

Item No.

Travelers Rest, SC: 800-476-4103 • Simi Valley, CA: 800-423-0150 • Fax: 864-834-3518 • www.tsbrass.com



ADA Compliant



This Space for Architect/Engineer Approval

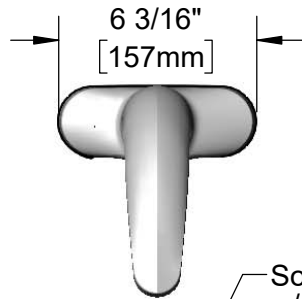
Job Name \_\_\_\_\_ Date \_\_\_\_\_

Model Specified \_\_\_\_\_ Quantity \_\_\_\_\_

Customer/Wholesaler \_\_\_\_\_

Contractor \_\_\_\_\_

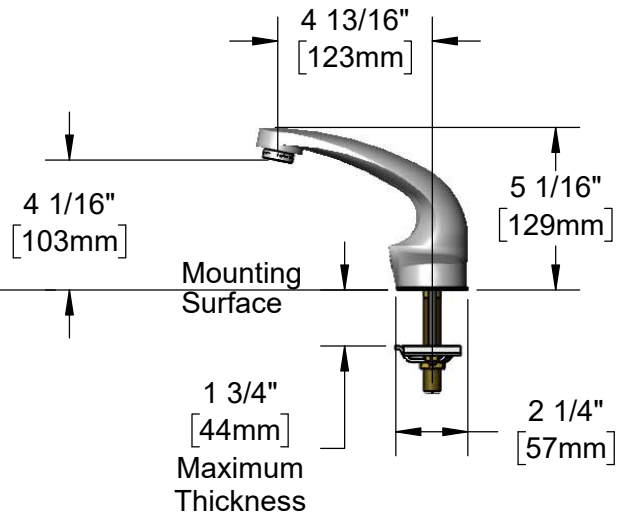
Architect/Engineer \_\_\_\_\_



Solid Cast Brass Spout  
w/ Polish Chrome Plated Finish  
and 2.2 GPM [8.3 L/min]  
Vandal Resistant Aerator



1/2" NPSM x 1/4" NPSM  
18" [457mm] Flexible  
Stainless Steel Hose



4" [102mm]

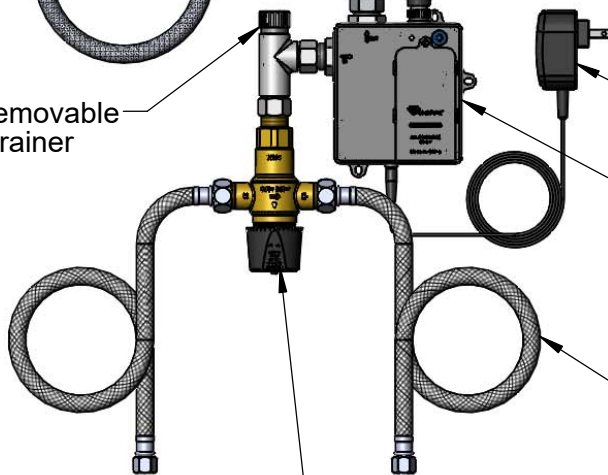
24" [610mm]  
Sensor Cable

Removable  
Strainer

100-240 VAC Adapter  
w/ 72" [1830mm] Power Cord

4" x 4 3/8" x 2 3/16" Deep  
[102mm x 111mm x 56mm]  
Water Resistant Control Module Box (Grey)  
w/ Internal Flow Control Setting  
Switches, AC or DC Operated w/ (4) AA Batteries.  
Hardwire Capable Using Terminals on Back.

(2) 3/8" Compression x 1/2" NPSM  
18" [457mm] Flexible Stainless Steel  
Supply Hoses



EC-TMV  
ASSE 1070 Thermostatic Temperature  
Mixing Valve w/ Check Valves

Rough-In Requirement:

(2)  $\varnothing$  1" [25mm] Mounting Holes on 4" [102mm] Centers

### Product Specifications:

Chrome Plated Brass Electronic Faucet: 4" c/c Deck Mount Spout w/ 2.2 GPM VR Aerator, AC/DC Control Module w/ Internal Flow Control Setting Switches, Thermostatic Temperature Control Mixing Valve w/ Check Valves, 18" Hot & Cold Flexible Stainless Steel Supply Hoses

### Product Compliance:

ASME A112.18.1 / CSA B125.1  
NSF 61 - Section 9  
NSF 372 (Low Lead Content)  
ANSI A117.1 (ADA)  
UL 1951  
ASSE 1070 (TMV)



# T&S BRASS AND BRONZE WORKS, INC.

2 Saddleback Cove / P.O. Box 1088  
Travelers Rest, SC 29690

Model No.

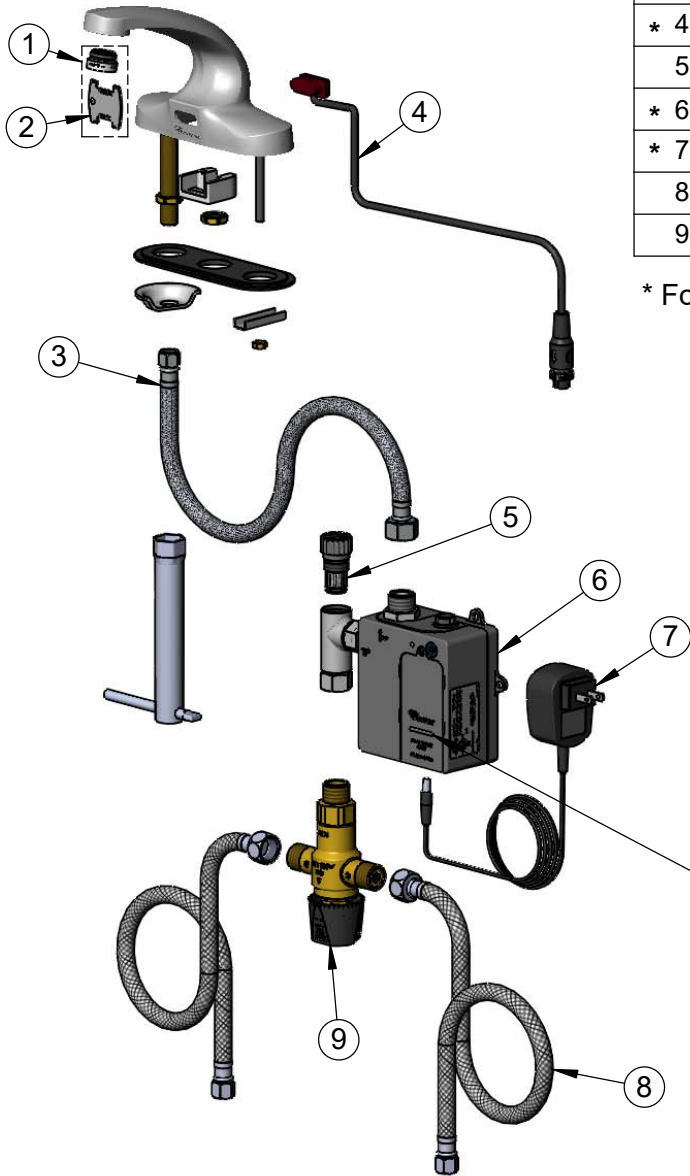
**EC-3104-TMV**

Item No.

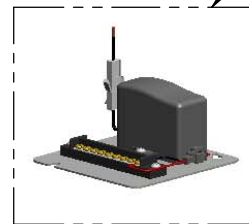
Travelers Rest, SC: 800-476-4103 • Simi Valley, CA: 800-423-0150 • Fax: 864-834-3518 • www.tsbrass.com

| ITEM NO. | SALES NO. | DESCRIPTION                                   |
|----------|-----------|---|
| 1        | B-0199-08 | VR 2.2 GPM Aerator, 13/16-27 UN Male w/ Key   |
| 2        | 015425-45 | Vandal Resistant Key                          |
| 3        | 016297-45 | Inlet Hose, Faucet, 1/2" NPSM-F x 1/4" NPSM-F |
| * 4      | 019174-45 | Sensor Cable Assembly                         |
| 5        | EC-FILTER | Replacement Filter                            |
| * 6      | 019944-45 | ChekPoint Control Module w/ Filter Tee        |
| * 7      | 5EF-0002C | AC Adapter - US Plug                          |
| 8        | 5EF-0005  | Supply Hose, 9/16-24 Female x 1/2" NPSM       |
| 9        | EC-TMV    | ASSE 1070 Thermostatic Mixing Valve           |

\* For Versions Prior to 2021, Consult with T&S Customer Service



A Maximum of (8) ChekPoint Faucets can be Hardwire Connected and Powered by EC-HARDWIRE ChekPoint Hardwire AC Transformer. (Sold Separately)



Flow Control Switches are Located Behind Battery Compartment Cover.

\* Switches are Set to DEFAULT Position:

- Auto Time Out = 15 Seconds
- Shut Off Delay = 1 Second
- Auto Flush = OFF
- Metering Mode = OFF

**\* Available Water Flow Control Selections:**

- Auto Time Out: 15 sec, 30 sec, 45 sec, 60 sec, 3 min, 20 min
- Shut Off Delay: 1 sec, 10 sec, 15 sec, 30 sec
- Auto Flush (30 Seconds After Every 12 Inactive Hours): ON or OFF
- Metering Mode: ON or OFF

**Product Specifications:**

Chrome Plated Brass Electronic Faucet: 4" c/c Deck Mount Spout w/ 2.2 GPM VR Aerator, AC/DC Control Module w/ Internal Flow Control Setting Switches, Thermostatic Temperature Control Mixing Valve w/ Check Valves, 18" Hot & Cold Flexible Stainless Steel Supply Hoses

**Product Compliance:**

ASME A112.18.1 / CSA B125.1  
NSF 61 - Section 9  
NSF 372 (Low Lead Content)  
ANSI A117.1 (ADA)  
UL 1951  
ASSE 1070 (TMV)