



# T&S BRASS AND BRONZE WORKS, INC.

2 Saddleback Cove / P.O. Box 1088  
Travelers Rest, SC 29690

Model No.

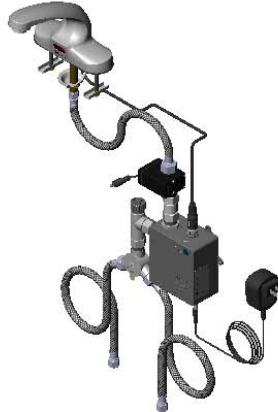
**EC-3103-VF05-HG**

Item No.

Travelers Rest, SC: 800-476-4103 • Simi Valley, CA: 800-423-0150 • Fax: 864-834-3518 • www.tsbrass.com



ADA Compliant



This Space for Architect/Engineer Approval

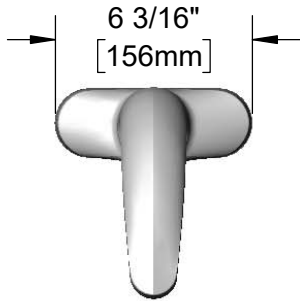
Job Name \_\_\_\_\_ Date \_\_\_\_\_

Model Specified \_\_\_\_\_ Quantity \_\_\_\_\_

Customer/Wholesaler \_\_\_\_\_

Contractor \_\_\_\_\_

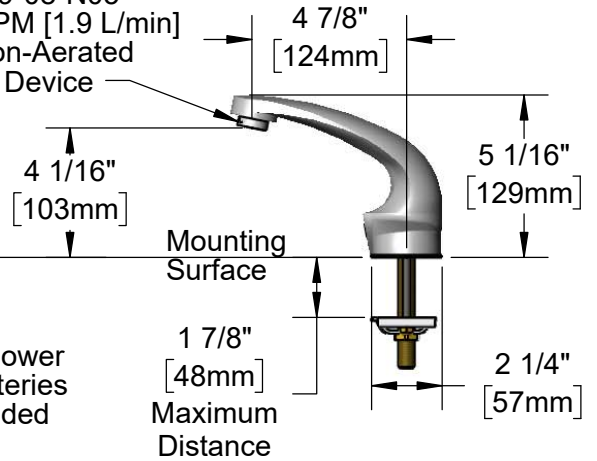
Architect/Engineer \_\_\_\_\_



Solid Cast Brass Spout w/  
Polish Chrome Plated Finish

1/2" NPSM x 1/4" NPSM  
18" [457mm] Flexible  
Stainless Steel Hose

B-0199-08-N05  
0.5 GPM [1.9 L/min]  
VR Non-Aerated  
Spray Device



24" [610mm]  
Sensor Cable

Hydro-Generator Power  
Supply. No AA Batteries  
or AC Adapter Needed  
to Supply Power to  
Faucet. (Connect Plug  
to Power Port)

4"  
[102mm]

Removable  
Strainer

4" x 4 3/8" x 2 3/16" Deep  
[102mm x 111mm x 56mm]  
Water Resistant Control Module Box (Grey)  
w/ Internal Flow Control Setting Switches,  
AC or DC Operated w/ (4) AA Batteries.  
Hardwire Capable Using Terminals on Back

Optional 100-240 VAC  
Adapter w/ 72" [1830mm]  
Power Cord

(2) 3/8" Compression x 1/2" NPSM  
18" [457mm] Flexible Stainless  
Steel Supply Hoses

Temperature Mixing Valve  
w/ Check Valves

### Rough-In Requirement:

- (1) Ø 1" [25mm] Center Shank Mounting Hole &
- (2) 1/2" [13mm] Mounting Stud Holes (on 4" Centers)

### Product Specifications:

Chrome Plated Brass Electronic Faucet: 4" Deck Mt. Spout w/ VR 0.5 GPM Non-Aerated Spray Device, AC/DC Control Module w/ Internal Flow Control Setting Switches, Temperature Control Mixing Valve w/ Check Valves, Hydro-Generator, 18" Flexible Stainless Steel Supply Hoses

### Product Compliance:

ASME A112.18.1 / CSA B125.1  
NSF 61 - Section 9  
NSF 372 (Low Lead Content)  
ANSI A117.1 (ADA)  
UL 1951



# T&S BRASS AND BRONZE WORKS, INC.

2 Saddleback Cove / P.O. Box 1088  
Travelers Rest, SC 29690

Model No.

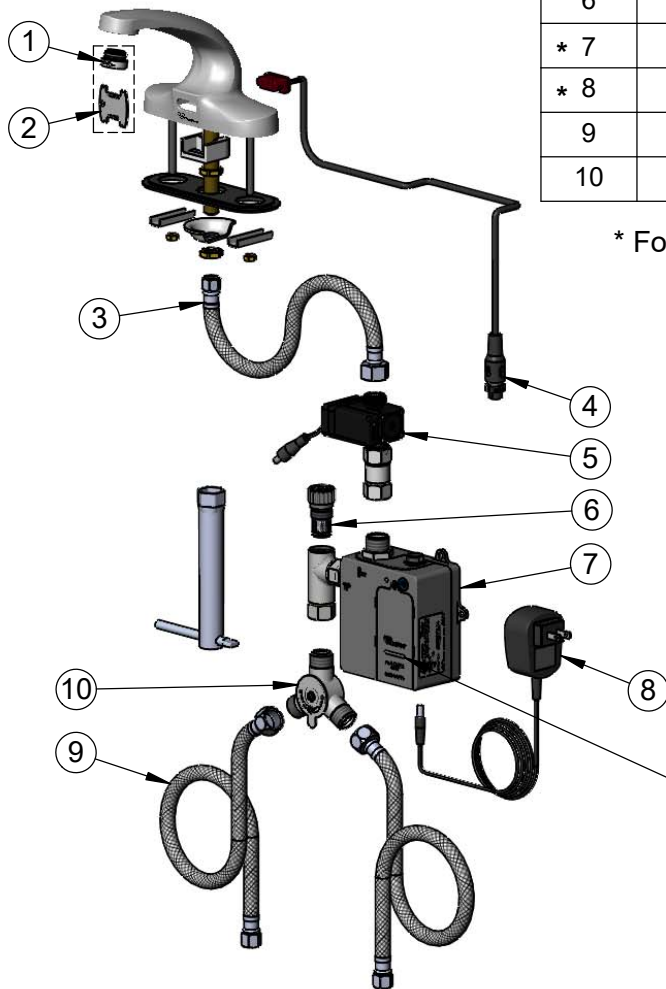
**EC-3103-VF05-HG**

Item No.

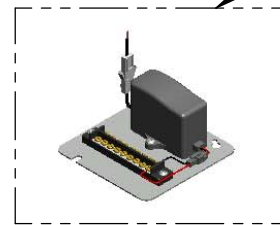
Travelers Rest, SC: 800-476-4103 • Simi Valley, CA: 800-423-0150 • Fax: 864-834-3518 • www.tsbrass.com

ITEM NO.	SALES NO.	DESCRIPTION
1	B-0199-08-N05	0.5 GPM VR Spray Device, 13/16-27 Male
2	015425-45	Vandal Resistant Key
3	016297-45	Inlet Hose, Faucet, 1/2" NPSM-F x 1/4" NPSM-F
* 4	019174-45	Sensor Cable Assembly
5	EC-HYDROGEN-LF	Low Flow Hydro-Generator
6	EC-FILTER	Replacement Filter
* 7	019944-45	ChekPoint Control Module w/ Filter Tee
* 8	5EF-0002C	AC Adapter - US Plug
9	5EF-0005	Supply Hose, 9/16-24 Female x 1/2" NPSM
10	5EF-0006	Mechanical Mixing Valve

\* For Versions Prior to 2021, Consult with T&S Customer Service



A Maximum of (8) ChekPoint Faucets can be Hardwire Connected and Powered by EC-HARDWIRE ChekPoint Hardwire AC Transformer. (Sold Separately)



Flow Control Switches are Located Behind Battery Compartment Cover.  
\* Switches are Set to DEFAULT Position:  
- Auto Time Out = 15 Seconds  
- Shut Off Delay = 1 Second  
- Auto Flush = OFF  
- Metering Mode = OFF

**\* Available Water Flow Control Selections:**

- Auto Time Out: 15 sec, 30 sec, 45 sec, 60 sec, 3 min, 20 min
- Shut Off Delay: 1 sec, 10 sec, 15 sec, 30 sec
- Auto Flush (30 Seconds After Every 12 Inactive Hours): ON or OFF
- Metering Mode: ON or OFF

**Product Specifications:**

Chrome Plated Brass Electronic Faucet: 4" Deck Mt. Spout w/ VR 0.5 GPM Non-Aerated Spray Device, AC/DC Control Module w/ Internal Flow Control Setting Switches, Temperature Control Mixing Valve w/ Check Valves, Hydro-Generator, 18" Flexible Stainless Steel Supply Hoses

**Product Compliance:**

ASME A112.18.1 / CSA B125.1  
NSF 61 - Section 9  
NSF 372 (Low Lead Content)  
ANSI A117.1 (ADA)  
UL 1951