



**T&S BRASS AND BRONZE WORKS, INC.**  
 2 Saddleback Cove / P.O. Box 1088  
 Travelers Rest, SC 29690

Model No.  
**B-2465**

Item No.

Travelers Rest, SC: 800-476-4103 • Simi Valley, CA: 800-423-0150 • Fax: 864-834-3518 • www.tsbrass.com



**ADA Compliant**

This Space for Architect/Engineer Approval

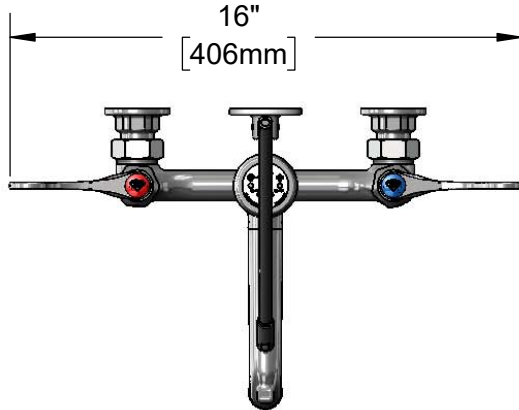
Job Name \_\_\_\_\_ Date \_\_\_\_\_

Model Specified \_\_\_\_\_ Quantity \_\_\_\_\_

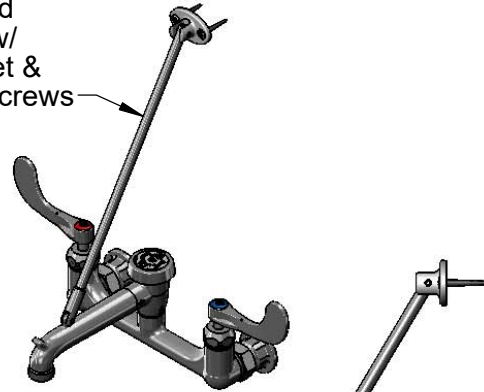
Customer/Wholesaler \_\_\_\_\_

Contractor \_\_\_\_\_

Architect/Engineer \_\_\_\_\_

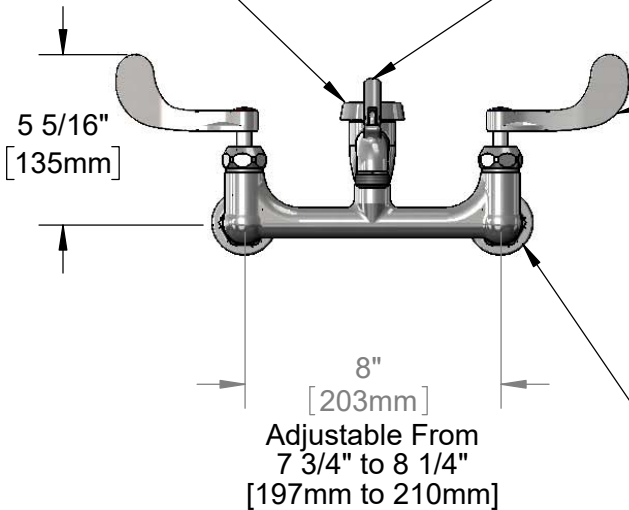


Support Rod  
 Furnished w/  
 Wall Bracket &  
 Mounting Screws



B-0969  
 1/2" Vacuum  
 Breaker

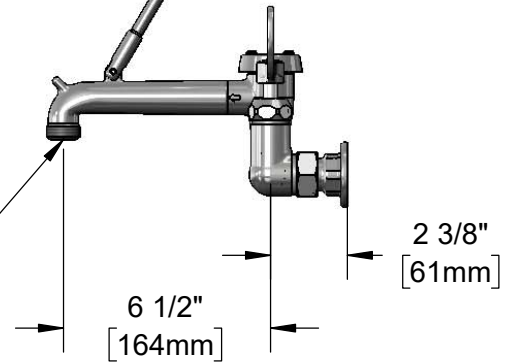
Items  
 Not Shown  
 For Clarity



Quarter-Turn  
 Cerama Cartridges  
 w/ Check Valves &  
 4" Wrist Action  
 Handles w/ Color  
 Coded Indexes

Male Garden  
 Hose Outlet

Ø2" [51mm]  
 Flanges w/  
 1/2" NPT  
 Female Inlets



48" Black Rubber Flexible Hose w/  
 Female Garden Hose Connector (1) End

**Product Specifications:**

8" Wall Mount Service Sink Mixing Faucet, Quarter-Turn Cerama Cartridges w/ Check Valves, 4" Wrist Action Handles, 1/2" NPT Vacuum Breaker, Upper Wall Brace, 48" Black Rubber Flexible Hose & 1/2" NPT Female Inlets

**Product Compliance:**

ASME A112.18.1 / CSA B125.1  
 NSF 61 - Section 9  
 NSF 372 (Low Lead Content)  
 ANSI A117.1 (ADA)  
 ASSE 1001 (VB)



# T&S BRASS AND BRONZE WORKS, INC.

2 Saddleback Cove / P.O. Box 1088  
Travelers Rest, SC 29690

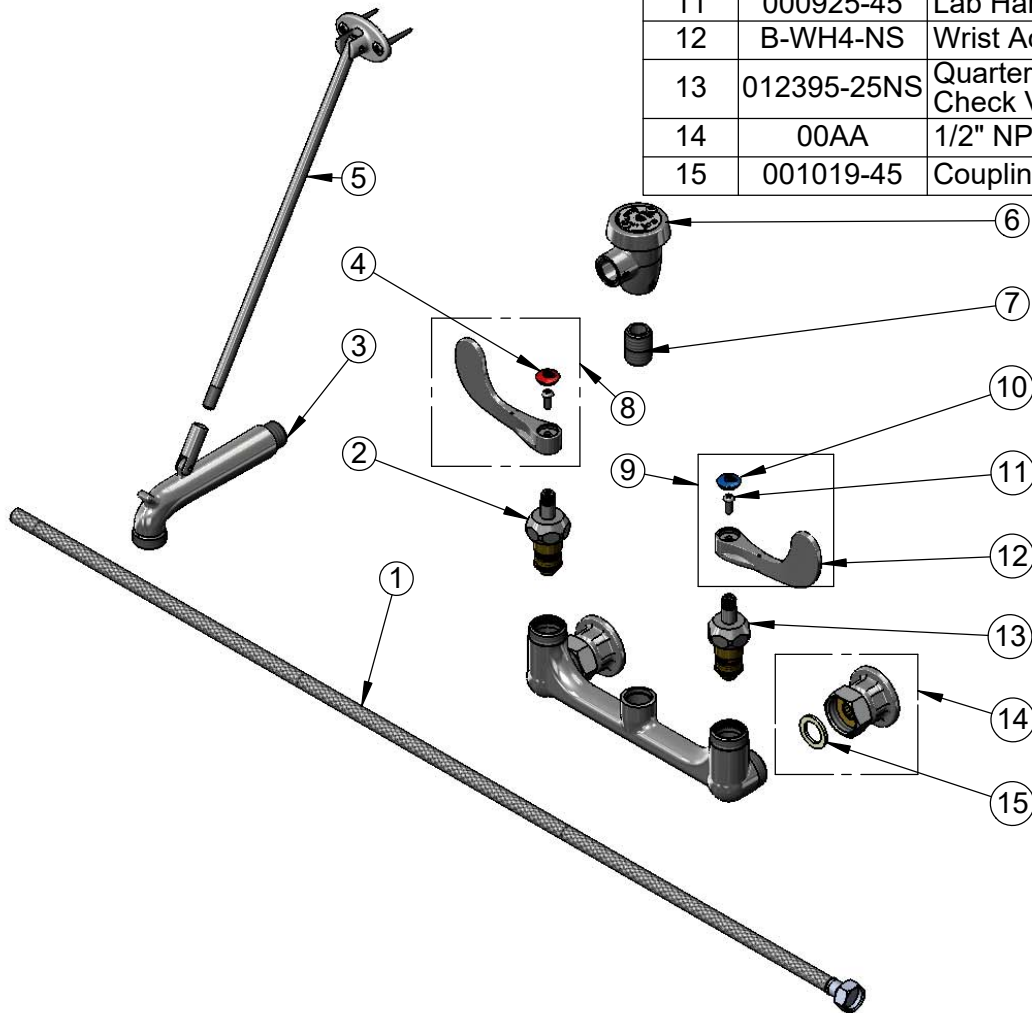
Model No.

**B-2465**

Item No.

Travelers Rest, SC: 800-476-4103 • Simi Valley, CA: 800-423-0150 • Fax: 864-834-3518 • www.tsbrass.com

ITEM NO.	SALES NO.	DESCRIPTION
1	B-0618-02	48" Black Rubber Hose w/ GH Inlet
2	012394-25NS	Quarter-Turn Cerama Cartridge w/ Check Valve, RTC
3	009545-40	Nozzle, Polish Chrome w/ Top Support Clevis
4	001193-19NS	Red Button Index, Press-in
5	009546-40	Upper Support Rod, Polish Chrome w/ Mounting Screws
6	B-0969	Vacuum Breaker, 1/2"
7	002534-25	Close Nipple, 1/2" NPT
8	B-WH4H-NS	Wrist Action Handle, Red Index & Screw
9	B-WH4C-NS	Wrist Action Handle, Blue Index & Screw
10	018506-19NS	Blue Button Index, Press-in
11	000925-45	Lab Handle Screw
12	B-WH4-NS	Wrist Action Handle (New Style)
13	012395-25NS	Quarter-Turn Cerama Cartridge w/ Check Valve, LTC
14	00AA	1/2" NPT Female Eccentric Flange
15	001019-45	Coupling Nut Washer



**Product Specifications:**

8" Wall Mount Service Sink Mixing Faucet, Quarter-Turn Cerama Cartridges w/ Check Valves, 4" Wrist Action Handles, 1/2" NPT Vacuum Breaker, Upper Wall Brace, 48" Black Rubber Flexible Hose & 1/2" NPT Female Inlets

**Product Compliance:**

ASME A112.18.1 / CSA B125.1  
NSF 61 - Section 9  
NSF 372 (Low Lead Content)  
ANSI A117.1 (ADA)  
ASSE 1001 (VB)