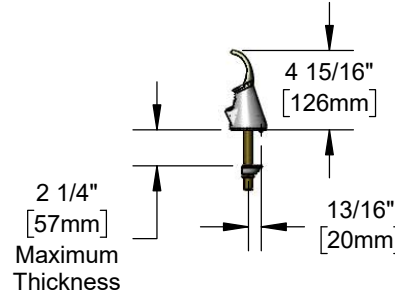
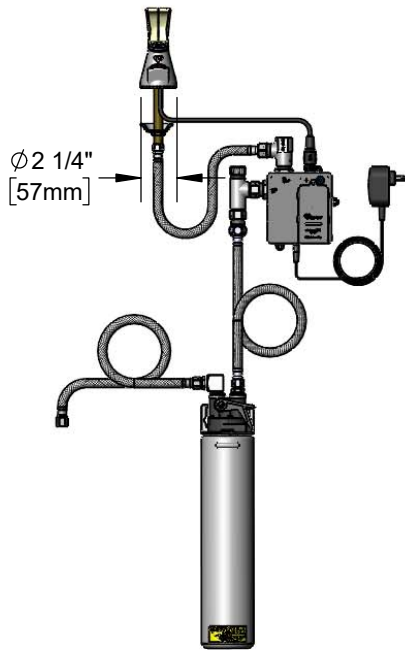




Architect/Engineering Specifications:

Single hole, deck mount electronic sensor bubbler with polished chrome plated brass body, rubber mouth guard, AC/DC control module with internal flow control setting switches, flow control valve, water filtration cartridge and flexible stainless steel supply hose with 3/8" compression connection. Certified to ASME A112.18.1/CSA B125.1, NSF 61-Section 9, NSF 372 and UL 1951. Meets ADA ANSI/ICC A117.1 requirements.

Job Name _____
 Model Specified _____ Quantity _____
 Variations Specified _____
 Date _____



Features & Benefits:

- Single hole, deck mount electronic sensor bubbler
- Polished chrome plated brass body
- Rubber mouth guard
- Water resistant control module w/ internal flow control switches for adjusting auto time out & shut off delay settings
- Optional auto flush feature flows water for 30 seconds after every 12 inactive hours
- Plug in AC adapter or (4) AA battery (DC) power options
- Low battery LED indicator light
- Adjustable flow control valve
- Replaceable water filtration cartridge & docking station
- 3/8" compression female inlet connection
- Material: Polished chrome plated brass bodies

Product Compliance:

- ASME A112.18.1 / CSA B125.1
- NSF 61 - Section 9
- NSF 372 (Low Lead Content)
- ANSI A117.1 (ADA)
- UL 1951

Warranty: Three Year (Limited)

Performance Data:

- Pressure: 20 - 125 psi [1.38 - 8.62 bar]
- Temperature: 40 °F - 140 °F [4.44 °C - 60 °C]
- Flow Rate: @4" Distance = .29 GPM [1.10 L/min] @ 60 psi [4.14 bar]
- Water Consumption: @10 sec=.05 gal [.19 L]
@15 sec=.07 gal [.26 L]

