



T&S BRASS AND BRONZE WORKS, INC.
 2 Saddleback Cove / P.O. Box 1088
 Travelers Rest, SC 29690

Model No.
B-0114-01

Item No.

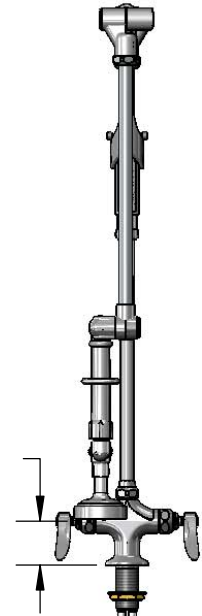
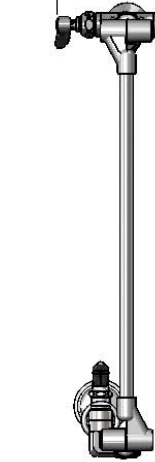
Travelers Rest, SC: 800-476-4103 • Simi Valley, CA: 800-423-0150 • Fax: 864-834-3518 • www.tsbrass.com

This Space for Architect/Engineer Approval

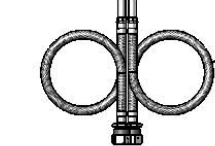
Job Name _____ Date _____
 Model Specified _____ Quantity _____
 Customer/Wholesaler _____
 Contractor _____
 Architect/Engineer _____

7 3/8"
 [187mm]

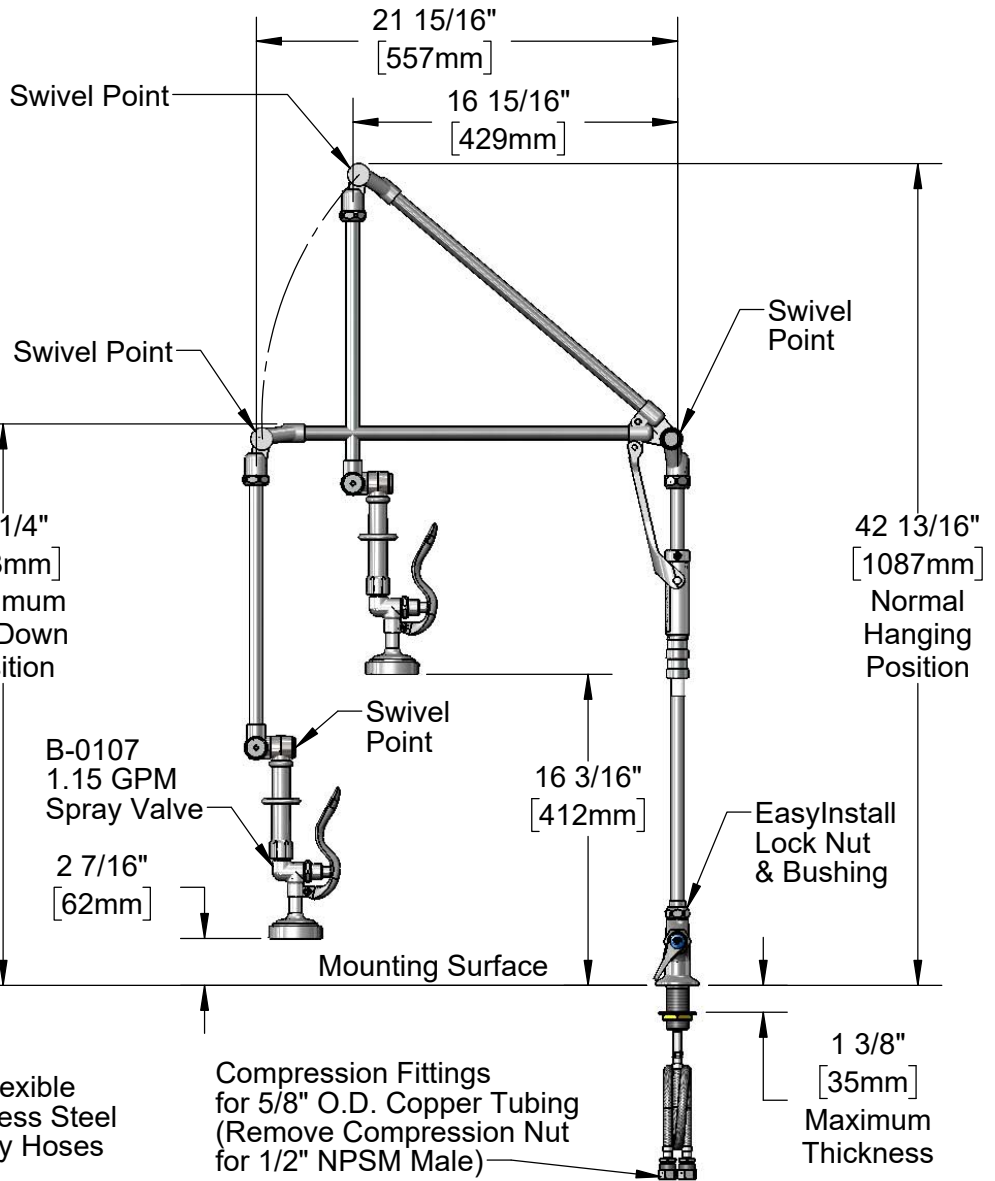
Quarter-Turn Eterna
 Cartridges w/ Spring
 Checks & Lever
 Handles w/ Color
 Coded Indexes



2 5/16"
 [58mm]



18" Flexible
 Stainless Steel
 Supply Hoses



Rough-In Requirement:
 Ø 1 1/2" [38mm] Mounting Hole

Product Specifications:

Pre-Rinse Unit: Single Hole Deck Mount Mixing Faucet, Quarter-Turn Eterna Cartridges w/ Spring Checks, Lever Handles, Retractable Swivel Arm, 1.15 GPM Spray Valve & 18" Flexible Stainless Steel Supply Hoses w/ 1/2" NPSM Male Inlets

Product Compliance:

ASME A112.18.1 / CSA B125.1
 NSF 61 - Section 9
 NSF 372 (Low Lead Content)
 2019 DOE PRSV - Class II



T&S BRASS AND BRONZE WORKS, INC.

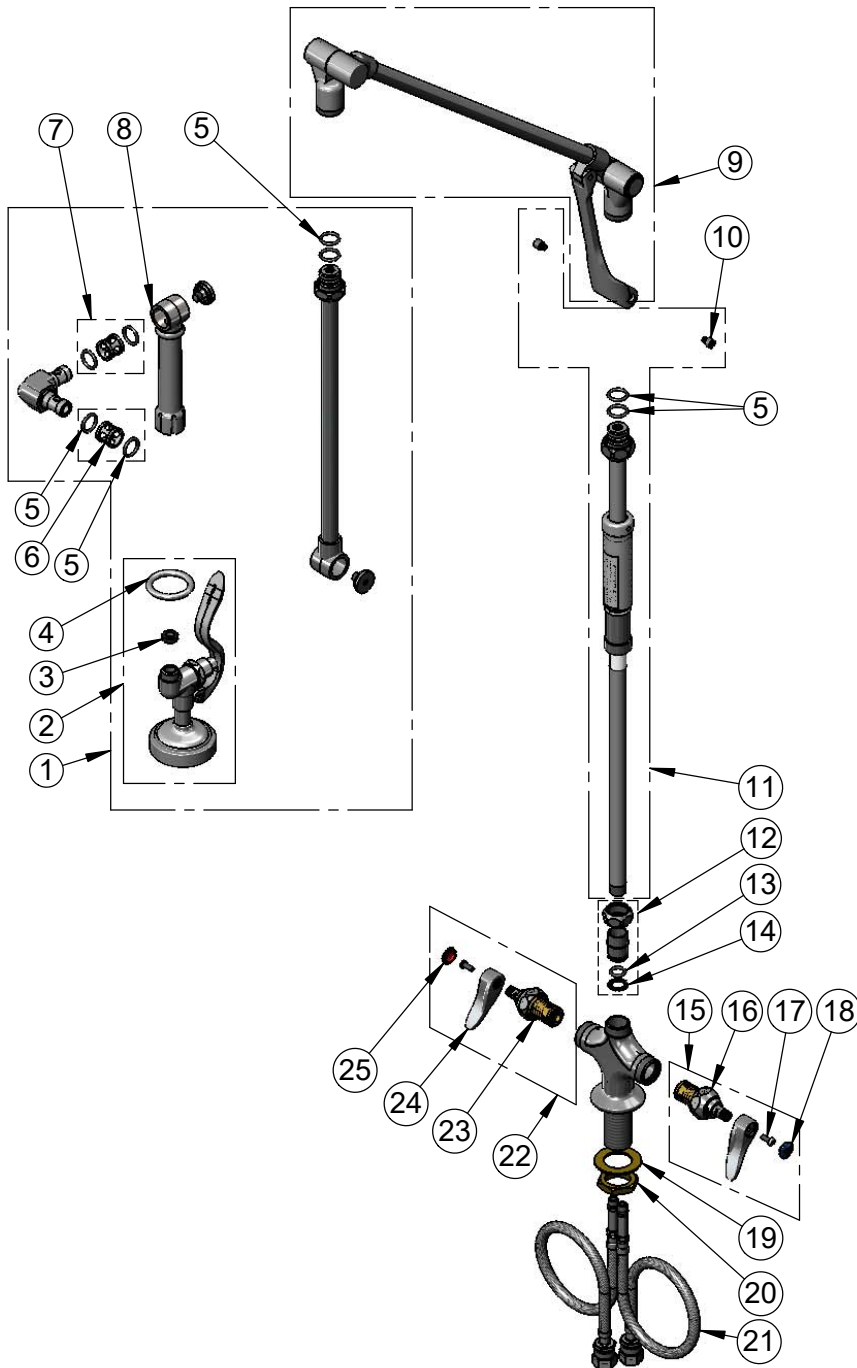
2 Saddleback Cove / P.O. Box 1088
Travelers Rest, SC 29690

Model No.

B-0114-01

Item No.

Travelers Rest, SC: 800-476-4103 • Simi Valley, CA: 800-423-0150 • Fax: 864-834-3518 • www.tsbrass.com



| ITEM NO. | SALES NO. | DESCRIPTION |
|----------|-------------|--|
| 1 | 009184-40 | Down Pipe w/ Spray Valve |
| 2 | B-0107 | 1.15 GPM Spray Valve |
| 3 | 010476-45 | #27 Washer |
| 4 | 000907-45 | Spray Valve Hold Down Ring |
| 5 | 001060-45 | O-Ring |
| 6 | 008984-45 | Bearing |
| 7 | 009225-40 | Elbow Repair Kit |
| 8 | 002897-40 | Grip Handle w/ Knuckle |
| 9 | 009490-40 | Upper Arm |
| 10 | 000941-45 | Cap Screw |
| 11 | 009178-40 | 29" Knuckle Riser |
| 12 | EZ-K | EasyInstall Kit |
| 13 | 001065-45 | O-ring |
| 14 | 014200-45 | Star Washer, Anti-Rotation |
| 15 | 002711-40NS | Quarter-Turn Eterna Cartridge w/ Spring Check, Handle, Blue Index & Screw, LTC |
| 16 | 012442-40NS | Quarter-Turn Eterna Cartridge w/ Spring Check, LTC |
| 17 | 000925-45 | Lab Handle Screw |
| 18 | 018506-19NS | Blue Button Index, Press-in |
| 19 | 002290-45 | Lock Washer |
| 20 | 000965-45 | Lock Nut |
| 21 | 012534-45 | 18" Flexible Supply Hose (2) |
| 22 | 002712-40NS | Quarter-Turn Eterna Cartridge w/ Spring Check, Handle, Red Index & Screw, RTC |
| 23 | 012443-40NS | Quarter-Turn Eterna Cartridge w/ Spring Check, RTC |
| 24 | 001638-45NS | Lever Handle (New Style) |
| 25 | 001193-19NS | Red Button Index, Press-in |

Product Specifications:

Pre-Rinse Unit: Single Hole Deck Mount Mixing Faucet, Quarter-Turn Eterna Cartridges w/ Spring Checks, Lever Handles, Retractable Swivel Arm, 1.15 GPM Spray Valve & 18" Flexible Stainless Steel Supply Hoses w/ 1/2" NPSM Male Inlets

Product Compliance:

ASME A112.18.1 / CSA B125.1
NSF 61 - Section 9
NSF 372 (Low Lead Content)
2019 DOE PRSV - Class II