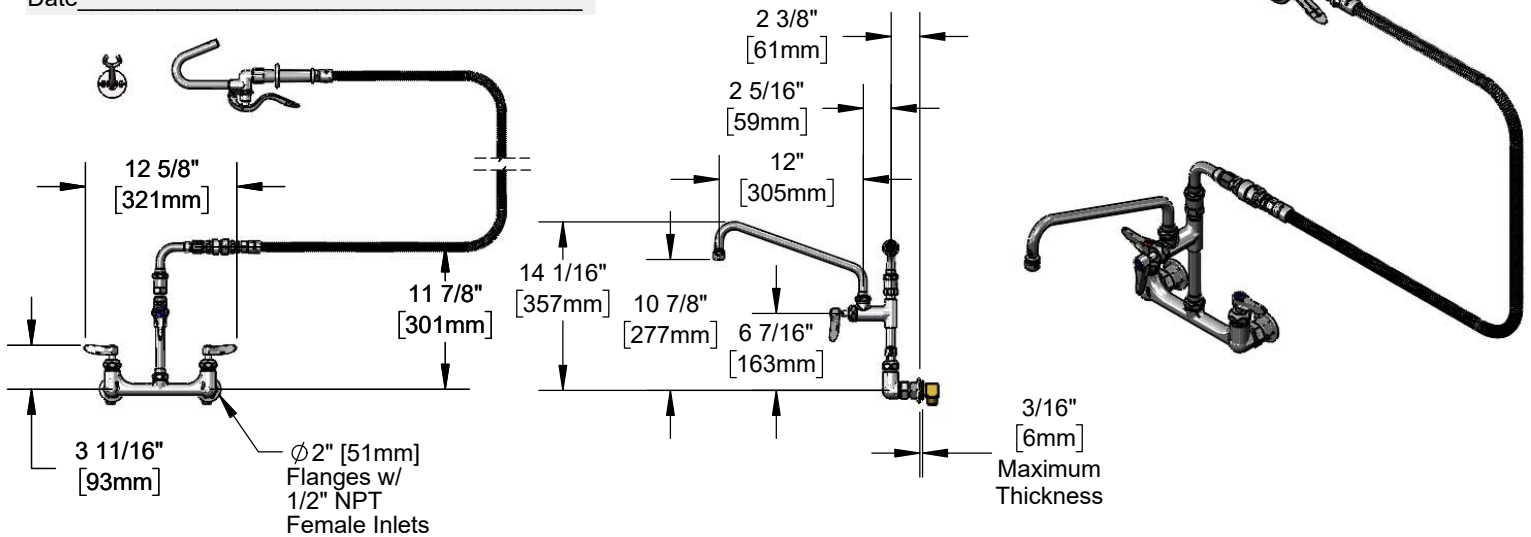




#### Architect/Engineering Specifications:

Single hole deck mount mixing faucet with polished chrome plated brass body, add-on faucet with ceramic cartridge with check valve and lever handle, 12" swing nozzle with stream regulator outlet, 90° swivel adapter, vacuum breaker, 60" flexible stainless steel hose, heat resistant handle, hook nozzle with spray valve, ceramic cartridges with check valves, lever handles, installation kit w/ 1/2" NPT male inlets and spray valve holder. Certified to ASME A112.18.1/CSA B125.1, NSF 61-Section 9, NSF 372 and CSA B64.8. EPA 2005 compliant.

Job Name \_\_\_\_\_  
 Model Specified \_\_\_\_\_ Quantity \_\_\_\_\_  
 Variations Specified \_\_\_\_\_  
 Date \_\_\_\_\_



#### Features & Benefits:

- 8" deck mount mixing faucet w/ polished chrome plated brass body
- EasyInstall add-on faucet w/ polished chrome plated brass body
- 12" swing nozzle
- Stream regulator outlet, Series 1
- 90° swivel arm adapter
- Continuous pressure vacuum breaker
- 60" flexible stainless steel hose w/ heat resistant gray handle and hold down ring
- Hook nozzle w/ spray valve
- Quarter-turn Cerama cartridges with check valves to prevent cross flow of water
- Lever handles w/ color coded indexes
- Ø2" eccentric inlet flanges
- Adjustable centers from 7 3/4" to 8 1/4"
- Installation kit w/ 1/2" NPT male inlets
- Material: Polished chrome plated brass body, tubular nozzle, add-on faucet body, riser & spray valve body, stainless steel hose and chrome plated metal handles.

#### Product Compliance:

- ASME A112.18.1 / CSA B125.1
- NSF 61 - Section 9
- NSF 372 (Low Lead Content)
- EPA 2005 Non-Compliant (PRSV)
- CSA B64.8 (VB)



#### Warranty: One Year (Limited)

- Cerama Cartridge: Lifetime (Limited)

#### Performance Data:

- Pressure: 20 - 125 psi
- Temperature: 40°F - 140°F
- Flow Rate:
  - Hook Nozzle: 3.16 GPM @ 60 psi
  - Add-On Faucet: 9.75 GPM @ 60 psi

#### Optional Add-On Faucet Outlets (Series 1 / VR Series 6)

GPM	Aerated	VR Aerated (VR Laminar)	Optional Handles
1.0	<input type="checkbox"/> B-0199-01-F10	<input type="checkbox"/> B-0199-06-F10	<input type="checkbox"/> 4" Wrist Action
1.5	<input type="checkbox"/> B-0199-01-WS	<input type="checkbox"/> B-0199-06-WS	<input type="checkbox"/> Lever (Standard)
2.2	<input type="checkbox"/> B-0199-01	<input type="checkbox"/> B-0199-06	<input type="checkbox"/> 4-Arm

#### Optional Cartridges With Checks

- Quarter-Turn Cerama w/ Check Valve (Standard)
- Quarter-Turn Eterna w/ Spring Check

#### Optional Pre-Rinse Spray Valves

- B-0107 (1.42 GPM)
- B-0107-C (0.65 GPM)
- B-0107-J (1.07 GPM)
- B-0108 (1.07 GPM)
- B-0108-C (0.65 GPM)

