



# T&S BRASS AND BRONZE WORKS, INC.

2 Saddleback Cove / P.O. Box 1088  
Travelers Rest, SC 29690

Model No.

**B-2483**

Item No.

Travelers Rest, SC: 800-476-4103 • Simi Valley, CA: 800-423-0150 • Fax: 864-834-3518 • www.tsbrass.com



**ADA Compliant**

This Space for Architect/Engineer Approval

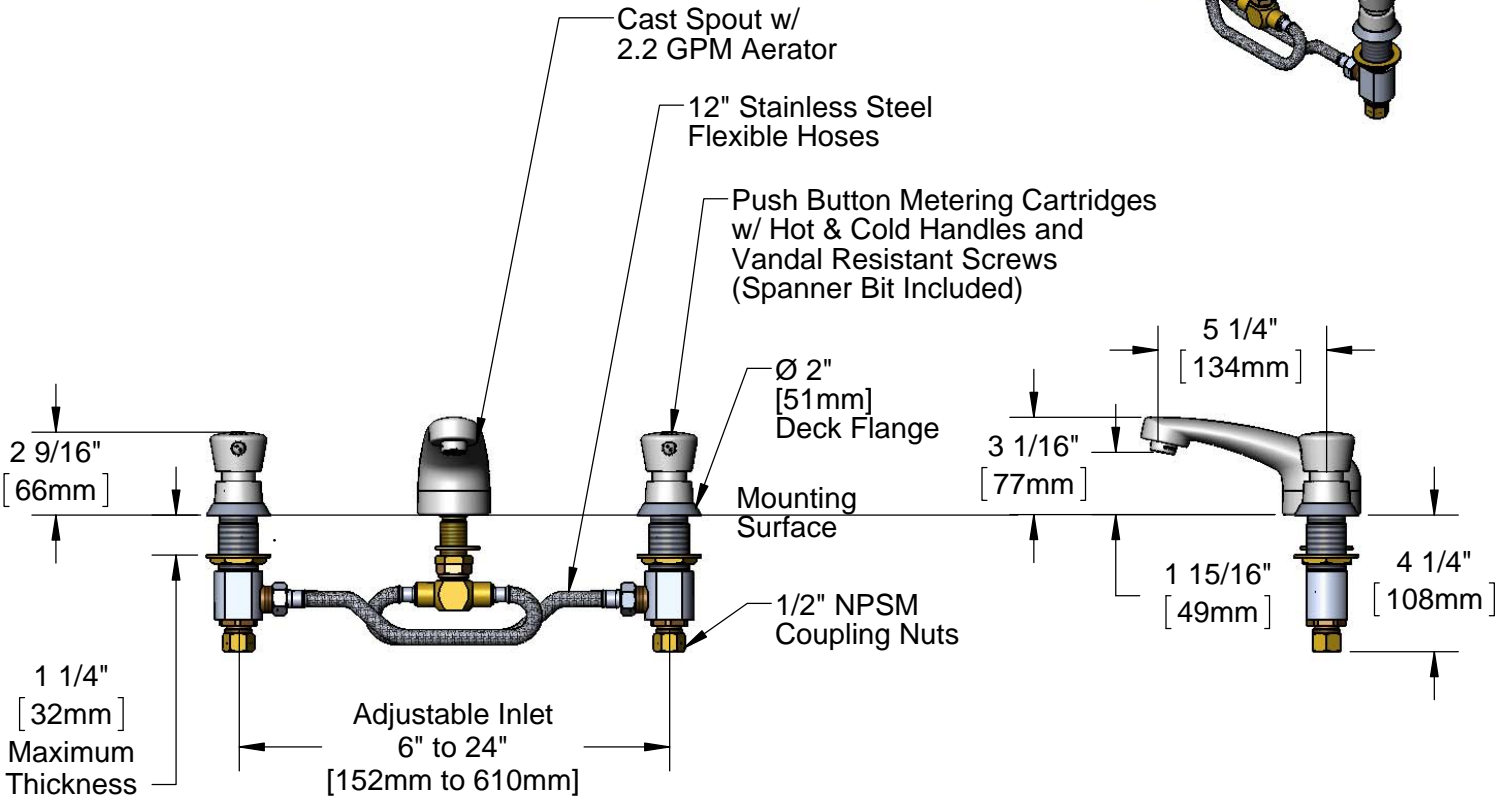
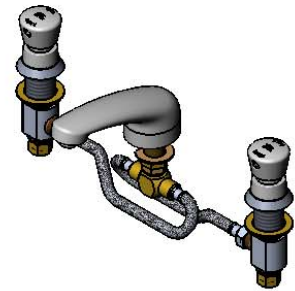
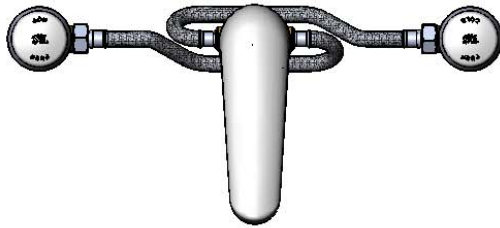
Job Name \_\_\_\_\_ Date \_\_\_\_\_

Model Specified \_\_\_\_\_ Quantity \_\_\_\_\_

Customer/Wholesaler \_\_\_\_\_

Contractor \_\_\_\_\_

Architect/Engineer \_\_\_\_\_



### Rough-In Requirements:

Center Shank: Ø 1" [Ø 25mm] Mounting Hole

Hot/Cold Bodies: Ø 1 1/2" [Ø 38mm] Mounting Hole

### Product Specifications:

Adjustable Deck Mount Mixing Faucet w/ Push Button Metering Cartridges, 5" Cast Spout w/ 2.2 GPM Aerator & 1/2" NPSM Brass Coupling Nuts

### Product Compliance:

ASME A112.18.1 / CSA B125.1  
NSF 61 - Section 9  
NSF 372 (Low Lead Content)  
ANSI A117.1 (ADA)



# T&S BRASS AND BRONZE WORKS, INC.

2 Saddleback Cove / P.O. Box 1088  
Travelers Rest, SC 29690

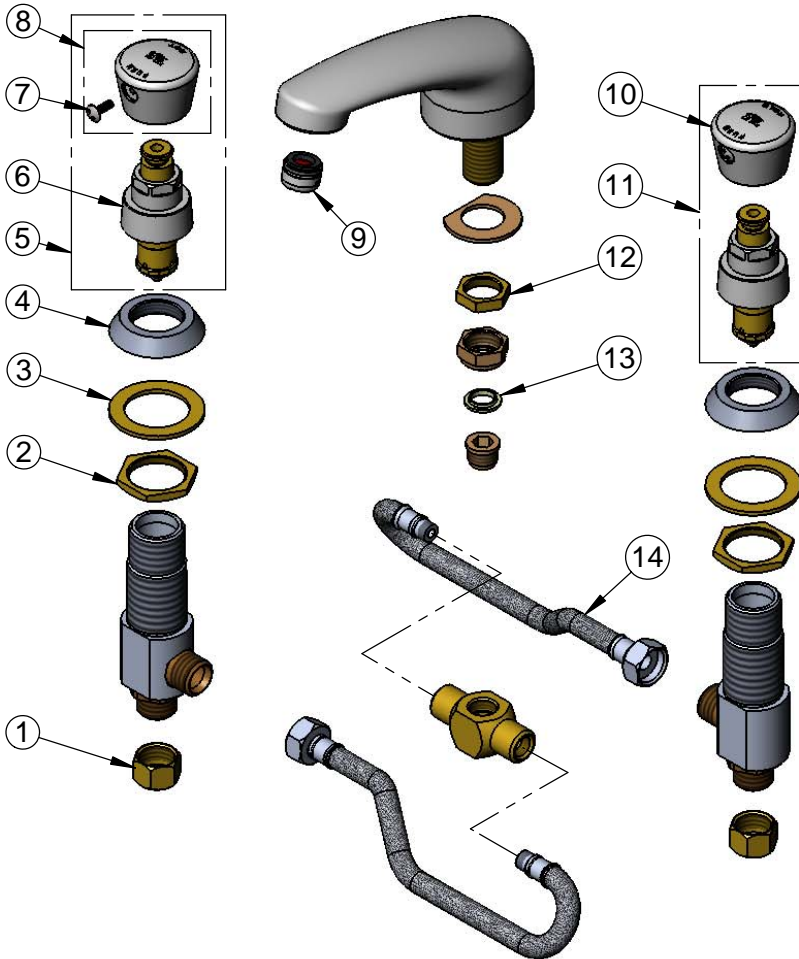
Model No.

**B-2483**

Item No.

Travelers Rest, SC: 800-476-4103 • Simi Valley, CA: 800-423-0150 • Fax: 864-834-3518 • www.tsbrass.com

ITEM NO.	SALES NO.	DESCRIPTION
1	000958-20	Coupling Nut
2	000960-20	Nut, B-0850
3	001006-45	Washer
4	000537-40	Flange
5	238AH	Metering Cartridge w/ Hot Push Button Cap & Spanner Bit
6	238A	Push Button Metering Cartridge
7	014145-45	VR Screw, Push Button Cap
8	014194-40	Hot Push Button Cap w/ Spanner Bit
9	B-0199-03	2.2 GPM Aerator
10	014195-40	Cold Push Button Cap w/ Spanner Bit
11	238AC	Metering Cartridge w/ Cold Push Button Cap & Spanner Bit
12	002954-45	Shank Lock Nut
13	012702-45	Cross Body Washer
14	011649-45	12" Stainless Steel Flex Line (2)



**Product Specifications:**

Adjustable Deck Mount Mixing Faucet w/ Push Button Metering Cartridges, 5" Cast Spout w/ 2.2 GPM Aerator & 1/2" NPSM Brass Coupling Nuts

**Product Compliance:**

ASME A112.18.1 / CSA B125.1  
NSF 61 - Section 9  
NSF 372 (Low Lead Content)  
ANSI A117.1 (ADA)