



RELIABILITY BUILT IN™

Limited Three Year Warranty

T&S warrants to the original purchaser (other than for purposes of resale) that such product is free from defects in material and workmanship for a period of three (3) years from the date of purchase. During this three-year warranty period, if the product is found to be defective, T&S shall, at its options, repair and/or replace it. To obtain warranty service, products must be returned to...

*T&S Brass and Bronze Works, Inc.
Attn: Warranty Repair Department
2 Saddleback Cove
Travelers Rest, SC 29690*

Shipping, freight, insurance, and other transportation charges of the product to T&S and the return of repaired or replaced product to the purchaser are the responsibility of the purchaser. Repair and/or replacement shall be made within a reasonable time after receipt by T&S of the returned product. This warranty does not cover items which have received secondary finishing or have been altered or modified after purchase, or for defects caused by physical abuse to or misuse of the product, or shipment of the products.

Any express warranty not provided herein, and any remedy for Breach of Contract which might arise, is hereby excluded and disclaimed. Any implied warranties of merchantability or fitness for a particular purpose are limited to three years in duration. Under no circumstances shall T&S be liable for loss of use or any special consequential costs, expenses or damages.

Some states do not allow limitations on how long and implied warranty lasts or the exclusion or limitation of incidental or consequential damages, so the above limitations or exclusions may not apply to you. Specific rights under this warranty and other rights vary from state to state.

Attention California Residents:

"WARNING: This product contains chemicals known to the State of California to cause cancer, and birth defects or other reproductive harm."

P/N: 098-018674-45 Rev.3
Date: 01-15-18
Drawn: TEH
Checked: DMH 03-07-18
Approved: JHB 03-09-18

Installation and Maintenance Instructions



EC-3130



EC-3132



EC-3142

EC-3130, EC-3132 & EC-3142

ChekPoint ABOVE DECK ELECTRONIC FAUCETS

Exploded View

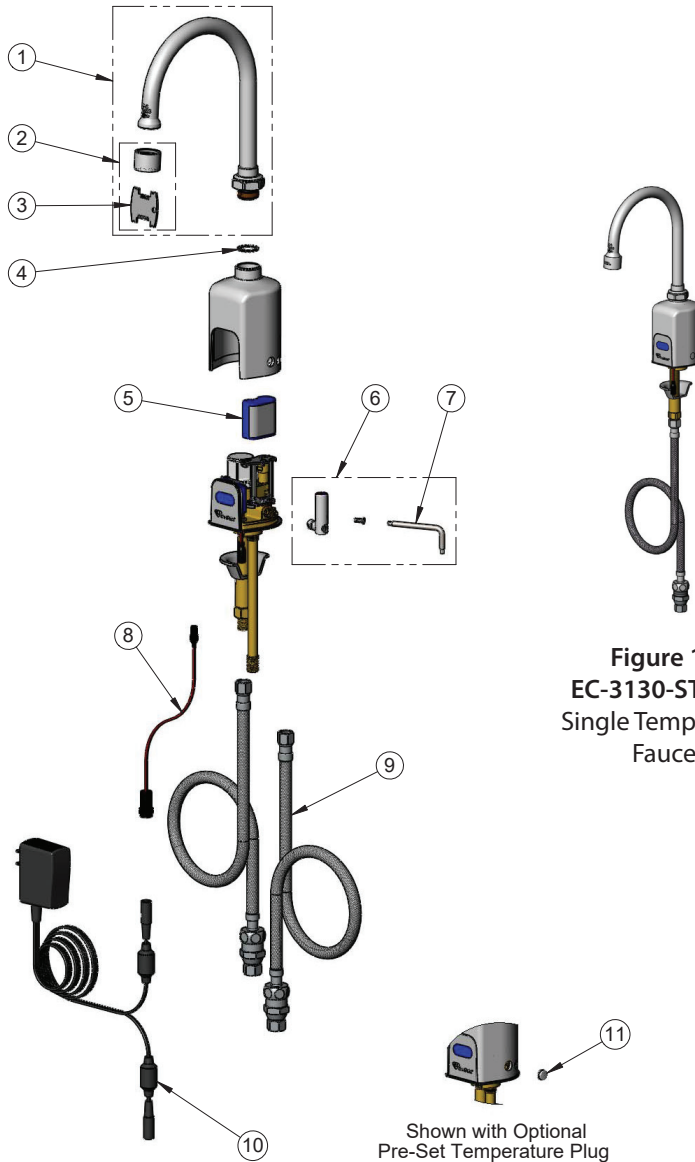


Figure 1: EC-3130

Exploded View

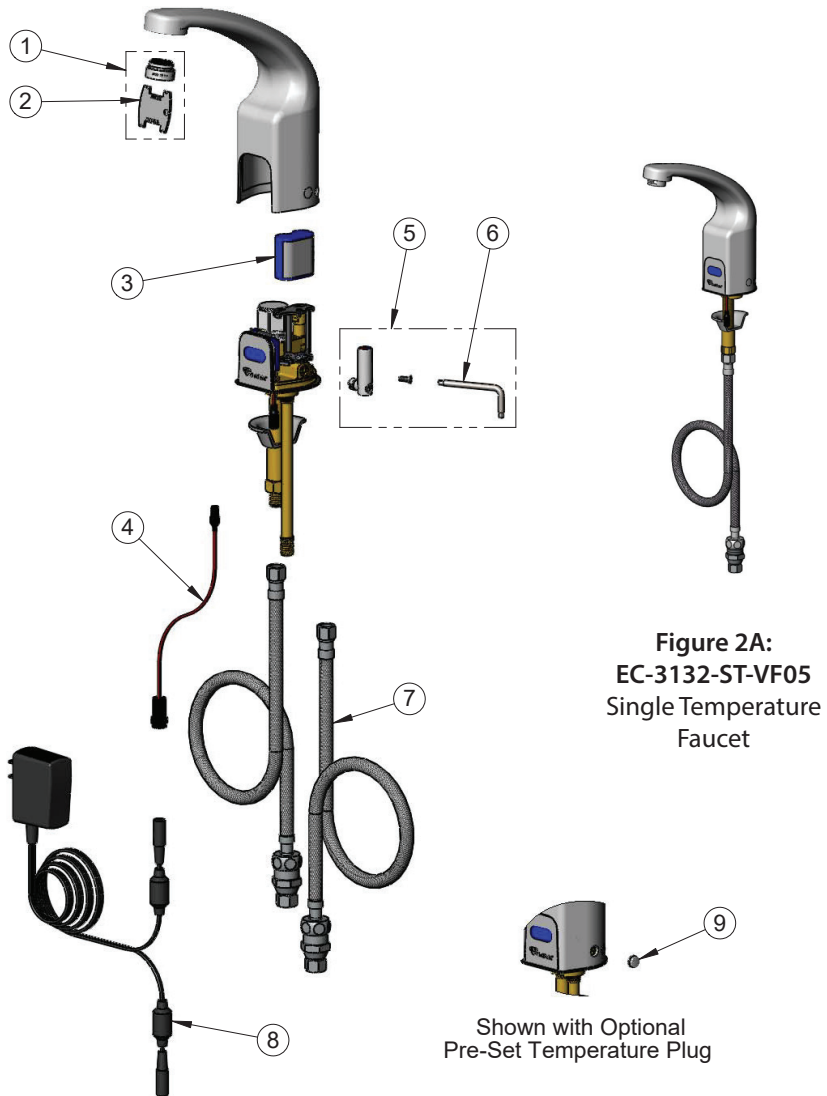


Figure 2: EC-3132

Exploded View

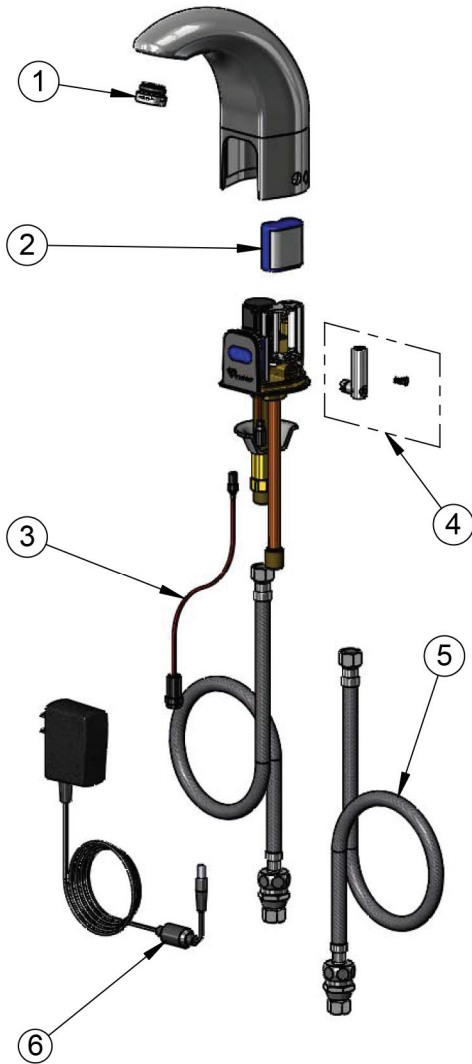


Figure 3A:
EC-3142-ST-VF05
Single Temperature
Faucet

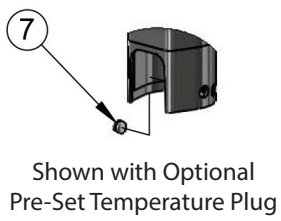


Figure 3: EC-3142

Part Number Guide

EC-3130 Electronic Faucet

1	Swivel Gooseneck w/ 2.2 GPM VR Aerator & Key	018490-40
2	2.2 GPM VR Aerator w/ Key	B-0199-06
	0.5 GPM VR Non-Aerated Spray Device	B-0199-06-N05
3	VR Aerator Key	015425-45
4	Star Washer, Anti-Rotation	014200-45
5	6V Lithium Battery, CR-P2	019087-45
6	Lever Asm & Body Screw Kit w/ L-Key	019082-45
7	Torx T-20 VR L-Key	018543-45
8	Auxiliary Power Connector Cable	019088-45
9	SS Flex Hose w/ Check Valve Adapter	018544-45
10	AC Transformer	5EF-0002
11	Body Plug, Pre-Set Temperature	019086-45

EC-3132 Electronic Faucet

1	2.2 GPM VR Aerator & Key	B-0199-08
	0.5 GPM VR Non-Aerated Spray Device	B-0199-08-N05
2	VR Aerator Key	015425-45
3	6V Lithium Battery, CR-P2	019087-45
4	Auxiliary Power Connector Cable	019088-45
5	Lever Asm & Body Screw Kit w/ L-Key	019082-45
6	Torx T-20 VR L-Key	018543-45
7	SS Flex Hose w/ Check Valve Adapter	018544-45
8	AC Transformer	5EF-0002
9	Body Plug, Pre-Set Temperature	019086-45

EC-3142 Electronic Faucet

1	2.2 GPM VR Aerator & Key	B-0199-08
	0.5 GPM VR Non-Aerated Spray Device	B-0199-08-N05
2	6V Lithium Battery, CR-P2	019087-45
3	Auxiliary Power Connector Cable	019088-45
4	Lever Asm & Body Screw Kit w/ L-Key	019082-45
5	SS Flex Hose w/ Check Valve Adapter	018544-45
6	AC Transformer	5EF-0002
7	Body Plug, Pre-Set Temperature	019086-45

General Instructions

IMPORTANT:

- ALL ELECTRICAL WIRING IS TO BE INSTALLED IN ACCORDANCE WITH NATIONAL/LOCAL CODES AND REGULATIONS.
- ALL PLUMBING IS TO BE INSTALLED IN ACCORDANCE WITH APPLICABLE CODES AND REGULATIONS.
- USE APPROPRIATE PRECAUTIONS WHILE CONNECTING TRANSFORMER TO 120 VAC POWER SOURCE.
- DO NOT PLUG TRANSFORMER INTO POWER SOURCE (RECEPTACLE) UNTIL ALL WIRING IS COMPLETED.
- FLUSH ALL WATER LINES UNTIL WATER IS CLEAR BEFORE CONNECTING FAUCET TO SUPPLY STOPS.

Tools Required For Installation of Faucets

- 8" (200mm) adjustable wrench
- VR Torx wrench (included)
- Basin wrench
- Slotted screwdriver, 3/16"
- Phillips head screwdriver, #1
- Pliers

Prior to Installation:

Prior to installing the T&S ChekPoint Series Faucet, install the items listed below:

- Scrub or wash-up sink
- Drain line
- Hot and cold water supply lines & stops.

(Supply stops must be furnished by installer or purchased from T&S.)
Tighten compression fittings securely on supply lines.

- (OPTIONAL) Provide electrical receptacle within approximately 12' from sink for plug-in transformer - 120 VAC, 2 amp service for each plug-in transformer used.

Installation of EC-3130 & EC-3132 ChekPoint Faucets:

(Refer to Figures 1, 2, 3 and 4)

The EC-3130, EC-3132 & EC-3142 ChekPoint faucets have above deck sensor electronics and temperature control. Power is supplied by a 6V lithium battery within the faucet body. Another power option is an AC transformer connected below the deck to a lead terminal from the bottom of the faucet.

1. Drill a \varnothing 1 1/4" hole where the faucet is to be installed. Maximum deck thickness is 1 1/2".
2. Pull the battery saver strip coming from the bottom of the faucet. The LED light in the sensor lens will light up and flicker.
3. If using the AC transformer, connect the auxiliary power connector cable to the wire lead from the bottom of the faucet.
4. Guide the supply tube, threaded shank and wire lead through the hole in the deck.
5. Secure from beneath using the cupped washer and nut on the threaded shank.
6. If adjusting the Auto Time Out and/or Water Shut Off Delay DIP switches, refer to the section below, "SWITCH SETTINGS."
7. If installing the AC transformer, refer to the section below, "TRANSFORMER OPTION."

General Instructions

8. For a mixing faucet with 2 inlets, connect the check valve adapter end of the flexible supply hoses to the supply stops. Connect the other end of the supply hose to the corresponding hot supply threaded shank and cold supply tube. Do not overtighten.

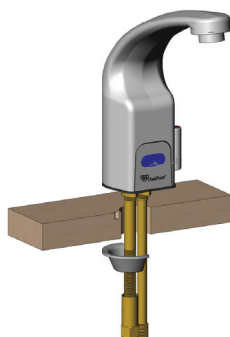
9. For a single temperature faucet with one inlet shank, connect the check valve adapter end of one flexible supply hose to the single temperature water supply. Connect the other end of the supply hose to the single inlet shank.

10. Turn on supply stops and check for leaks.

11. To test the sensor eye on/off function and switch settings (if set), place your hand 2 to 3 inches in front of the sensor. The LED will blink once and water will start to flow.

12. Remove your hand from the area. If water does not stop flowing within 2 seconds or according to the Water Shut Off Delay set by SW(5) and SW(6), then the sensor range will need adjusting (refer to "INSTRUCTIONS FOR SETTING THE SENSOR RANGE").

Figure 4



POINT-OF-USE TEMPERATURE ADJUSTMENT:

1. Push the lever on the right side towards the back for colder water.
2. Pull the lever towards the front for hotter water.

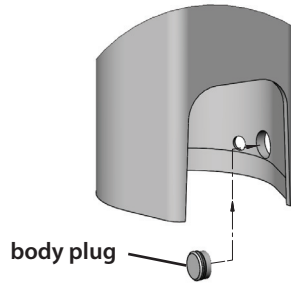
PRE-SET WATER TEMPERATURE ADJUSTMENT:

1. Using the L-Key provided, remove the handle and body screws.
2. Remove the temperature lever and adapter from the faucet body. Note: the adapter has an o-ring seal and may require pliers to pull out from the body. Protect the chrome finish on the adapter from the jaws of the pliers.
3. Using a flat screwdriver, turn the brass spindle accessible through the hole where the adapter was removed to adjust the water temperature to the desired setting: clockwise for colder, counter clockwise for hotter.
4. After setting water temperature, shut-off the water supply at the supply stops.

General Instructions

5. Remove the faucet body from the base by pulling the body straight up.
6. Install the chrome body plug into the hole from the inner side of the body as shown below. The smooth face of the plug will be the exposed size. Press the plug until bottomed.
7. Carefully reinstall the body straight down onto the base.
8. Reinstall the body screw.
9. Turn on the supply stops.

Figure 5



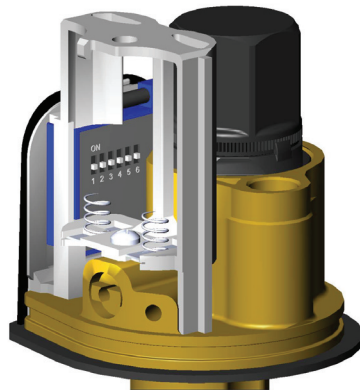
SWITCH SETTINGS:

The EC-3130, EC-3132 & EC-3142 ChekPoint controller offers settable water flow control adjustment selections. These selections are set by configuring a bank of DIP switches located behind the sensor to the settings shown on the tables below.

To access the DIP switches:

1. Shut-off the water supply at the supply stops.
2. Using the L-Key provided, remove the handle and body screws. If the pre-set temperature plug is installed it does not need to be removed.
3. Remove the temperature lever and adapter from the faucet body. Note: the adapter has an o-ring seal and may require pliers to pull out from the body. Protect the chrome finish on the adapter from the jaws of the pliers.
4. Remove the faucet body from the base by pulling the body straight up.
5. Remove the battery to access the bank of DIP switches.
6. Set the DIP switches to the desired settings described on page 9.
7. Replace battery.
8. Carefully reinstall the body straight down onto the base.
9. Reinstall the lever handle assembly and body screw.

Figure 6:
*Access to Dip Switch
Settings*



General Instructions

➤AUTO TIME-OUT ADJUSTMENT (SWITCHES 1-3)

- The ChekPoint controller provides six periods to select from for shutting off the water when the object is left in front of the electronic eye. The time periods to select from are: 15 seconds, 30 seconds, 45 seconds, 60 seconds, 3 minutes and 20 minutes. The default setting is 15 seconds.

Note: The chart below indicates the switch positions required for each auto time-out mode.

Auto Time Out Selection			
PERIOD	SW(1)	SW(2)	SW(3)
15 seconds	OFF	OFF	OFF
30 seconds	OFF	OFF	ON
45 seconds	OFF	ON	OFF
60 seconds	OFF	ON	ON
3 minutes	ON	OFF	OFF
20 minutes	ON	OFF	ON

Water Shut Off Delay Selection		
PERIOD	SW(5)	SW(6)
1 seconds	OFF	OFF
10 seconds	OFF	ON
15 seconds	ON	OFF
30 seconds	ON	ON

Auto Flush Mode SW (4)
ON - (Enable)
OFF - (Disable)

➤WATER SHUT-OFF DELAY ADJUSTMENT (SWITCHES 5 & 6)

- The ChekPoint controller provides four periods to select from for shutting off the water when the object is removed from in front of the electronic eye. The time periods to select from are: 1 second, 10 seconds, 15 seconds, and 30 seconds. The default setting is 1 second.

➤AUTO-FLUSH (SWITCH 4)

- The ChekPoint controller offers the option to select the Auto Flush mode in switch 4 position. When enabled, the controller will flush the Chek-Point faucet every 12 hours for 25-30 seconds when the faucet is not used. Default setting from the factory is in the "off" position.

TRANSFORMER OPTION:

IMPORTANT: *DO NOT plug the transformer into a receptacle until all wiring has been completed.* This type of transformer is designed to be plugged into a 120 VAC wall receptacle. The transformer is supplied with a 12 foot cable. When used in conjunction with the battery, the transformer will become the primary power source. Plug the transformer cable and auxiliary power connector cable into the wire lead coming from the bottom of the EC-3130, EC-3132 or EC-3142 faucet body.

Note: For the Hydro Generator (EC-HYDROGEN) power option, refer to the instruction manual in the EC-HYDROGEN kit ordered separately. For hard wiring and hard wire ganging (EC-HARDWIRE) and easy-wire (EC-EASYWIRE) ganging power options, refer to the instruction manual in each respective kit when ordered separately.

LOW BATTERY INDICATOR AND BATTERY REPLACEMENT:

- A red flashing LED in the sensor indicates a low battery.
- A constant on LED with no water flow indicates a dead battery.

General Instructions

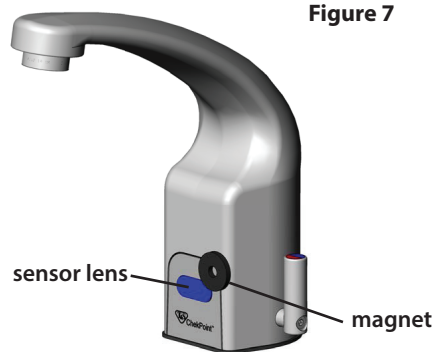
To replace the battery:

1. Shut-off the water supply at the supply stops.
2. Using the L-Key provided, remove the handle and body screws. If the pre-set temperature plug is installed it does not need to be removed.
3. Remove the Temperature Lever and adapter from the faucet body. Note: the adapter has an o-ring seal and may require pliers to pull out from the body. Protect the chrome finish on the adapter from the jaws of the pliers.
4. Remove the faucet body from the base by pulling the body straight up.
5. Remove and replace the battery.
6. Carefully reinstall the body straight down onto the base.
7. Reinstall the lever handle assembly, if used, and body screw.
8. Open the supply stops.

INSTRUCTIONS FOR SETTING THE SENSOR RANGE:

The EC-3130 and EC-3132 faucets have an adjustable sensor with a default range set at the factory. Should this range need to be changed, follow the steps below and refer to Figure 6. The sensing distance is adjustable from 3/4" (2cm) to 6 11/16" (17cm).

1. Place the magnet provided on the upper right corner of the sensor for 5 seconds. When the magnet is in place the solenoid will open.
2. After 5 seconds when the solenoid closes and the LED turns on, remove the magnet.
3. The LED will turn off indicating the sensor is now in set-up mode. Note: the sensor will remain in set up mode for approximately 15 seconds. Then the LED will flash 3 times before the sensor range returns to its previous setting.
4. While in set-up mode, hold your hand at the desired distance from the sensor for 3 seconds. The LED will blink.
5. After the 3 seconds, the blinking LED will stay on for a few seconds then turn off.
6. When the LED turns off, the new range setting is saved
7. Even if the faucet loses power such as when the battery is replaced, the setting saved above will be kept.



General Instructions

TROUBLESHOOTING GUIDE

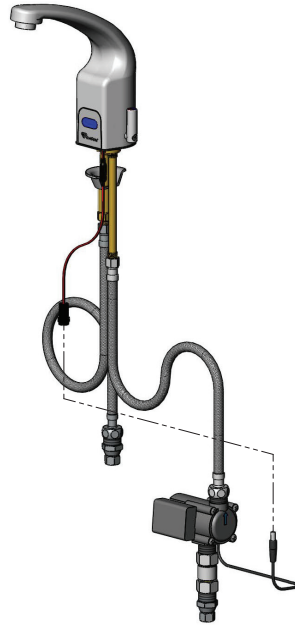
PROBLEM	POSSIBLE CAUSE/SOLUTION
No Water When Activated Red LED in electronic eye	If red LED stays on or is flashing: 1. Replace batteries.
Very Low Flow or Slow Dribble	1. Check supply stop(s); open if closed. 2. Debris in supply hose filter washers in 1/2" NPSM swivel end; remove, clean and reinstall. 3. Debris in aerator or spray head; remove, clean and reinstall
False Triggering (Unit goes on by itself)	1. Check surroundings for factors that can contribute to the false triggering; for example, bright lights, highly reflective surfaces, sunlight, etc. 2. Range too long; decrease sensor range.
Continues to Run (Even after power to faucet has been reconnected)	1. Debris in solenoid valve, won't close properly. Contact factory.

RELATED T&S BRASS PRODUCT LINE



EC-3130-4DP

ChekPoint Electronic Faucet, Single Hole Deck Mount with 4" Deck Plate



EC-3132-HG

ChekPoint Electronic Faucet, Single Hole Deck Mount, Hydro-Generated Powered



EC-3132-VF05

ChekPoint Electronic Faucet, Single Hole Deck Mount, 2.2 GPM Vandal Resistant Aerator, Optional Vandal Resistant 0.5 GPM Spray Device

T&S BRASS AND BRONZE WORKS, INC.

A firm commitment to application-engineered plumbing products

2 Saddleback Cove, P.O. Box 1088,
Travelers Rest, SC 29690

Phone: (864) 834-4102

Fax: (864) 834-3518

E-mail: tsbrass@tsbrass.com

T & S Brass-Europe
'De Veenhoeve'
Oude Nieuwveenseweg 84
2441 CW Nieuwveen

The Netherlands



RELIABILITY BUILT IN™