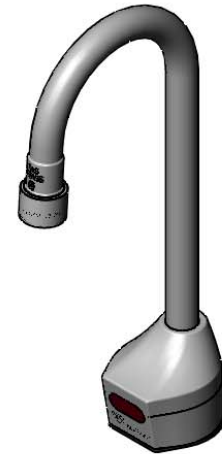
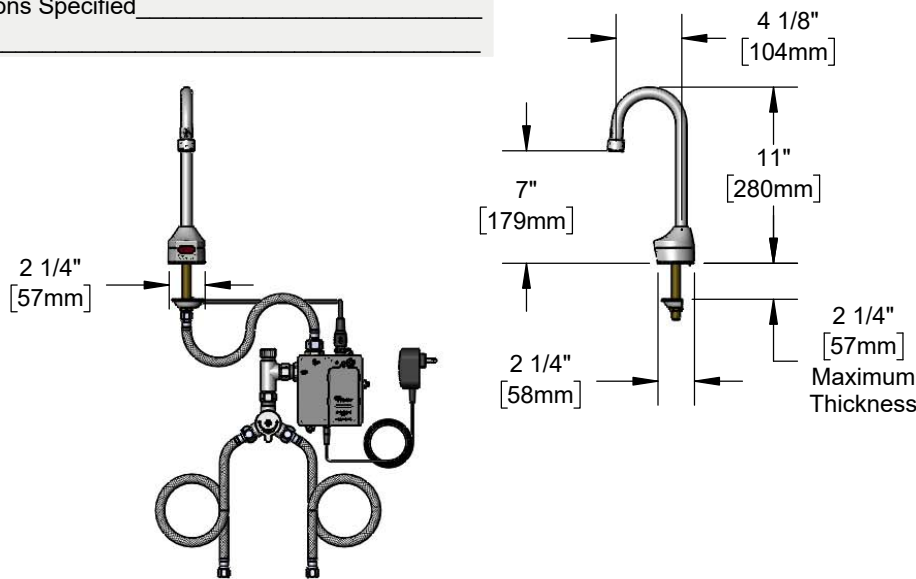




Architect/Engineering Specifications:

Single hole deck mount electronic sensor faucet with polished chrome plated brass body, 4 1/8" rigid gooseneck, 2.2 GPM vandal resistant laminar flow device, AC/DC control module with internal flow control setting switches, temperature control mixing valve with check valves and 18" flexible stainless steel supply hoses with 3/8" compression connections. Certified to ASME A112.18.1/CSA B125.1, NSF 61-Section 9, NSF 372 and UL 1951. Meets ADA ANSI/ICC A117.1 requirements.

Job Name _____
Model Specified _____ Quantity _____
Variations Specified _____
Date _____



Features & Benefits:

- Single hole deck mount Faucet w/ polished chrome plated brass body
4 1/8" rigid gooseneck
2.2 GPM vandal resistant laminar flow device, Series 6 (B-0199-21-VRF)
Water resistant control module w/ internal flow control switches for adjusting auto time out & shut off delay settings
Optional auto flush feature flows water for 30 seconds after every 12 inactive hours
Optional metering mode
Plug in AC transformer or (4) AA batteries (DC) power options
Mechanical temperature mixing valve w/ check valves
18" flexible stainless steel supply hoses w/ 3/8" compression connections
Low battery LED indicator light
Material: Polished chrome plated brass body & gooseneck

Product Compliance:

- ASME A112.18.1 / CSA B125.1
NSF 61 - Section 9
NSF 372 (Low Lead Content)
ANSI A117.1 (ADA)
UL 1951

Warranty: Three Year (Limited)

Performance Data:

- Pressure: 20 - 125 psi [1.38 - 8.62 bar]
Temperature: 40 °F - 140 °F [4.44 °C - 60 °C]
Flow Rate: 2.2 GPM [8.3 L/min] @ 60 psi [4.14 bar]
Water Consumption: @10 sec = .37 gal [1.40 L]
@15 sec = .55 gal [2.08 L]



ADA Compliant



Optional Outlets (Series 1 / VR Series 6)

Table with 6 columns: GPM, Aerated, Non-Aerated (Laminar), VR Aerated, VR Non-Aerated (VR Laminar), and Optional Deck Plates. It lists various model numbers and deck plate options for different flow rates.

