



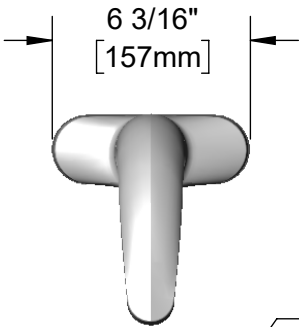
T&S BRASS AND BRONZE WORKS, INC.

2 Saddleback Cove / P.O. Box 1088
Travelers Rest, SC 29690

Model No.
EC-3104TMVHGF10

Item No.

Travelers Rest, SC: 800-476-4103 • Simi Valley, CA: 800-423-0150 • Fax: 864-834-3518 • www.tsbrass.com



ADA Compliant

This Space for Architect/Engineer Approval

Job Name _____ Date _____

Model Specified _____ Quantity _____

Customer/Wholesaler _____

Contractor _____

Architect/Engineer _____

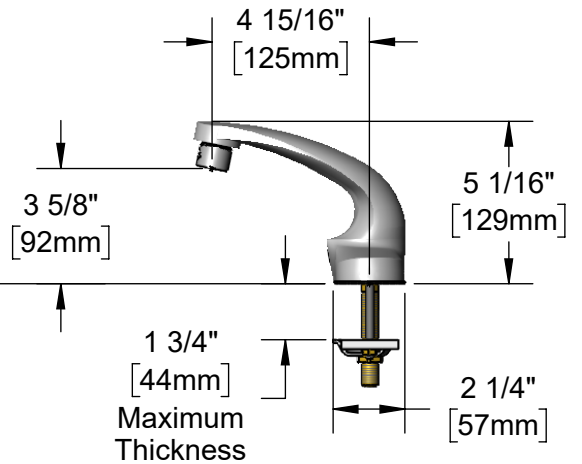
Solid Cast Brass Spout w/
Polish Chrome Plated Finish
and 1.0 GPM [3.8 L/min]
Vandal Resistant Aerator

1/2" NPSM x 1/4" NPSM
18" [457mm] Flexible
Stainless Steel Hose

Mounting
Surface

24" [610mm]
Sensor Cable

4"
[102mm]



4" x 4 3/8" x 2 3/16" Deep
[102mm x 111mm x 56mm]
Water Resistant Control Module Box (Grey)
w/ Internal Flow Control Setting
Switches, AC or DC Operated w/ (4) AA Batteries.
Hardwire Capable Using Terminals on Back.

Optional 100-240 VAC Adapter
w/ 72" [1830mm] Power Cord

EC-TMV
ASSE 1070 Thermostatic Temperature
Mixing Valve w/ Integral Check Valves

(2) 3/8" Compression x 1/2" NPSM
18" [457mm] Flexible Stainless Steel
Supply Hoses

Removable
Strainer

EC-HYDROGEN
Hydro-Generator
Power Supply.
No AA Batteries
Needed to Supply
Power to Faucet

Rough-In Requirement:
(2) ϕ 1" [25mm] Mounting Holes on 4" [102mm] Centers

Product Specifications:
Chrome Plated Brass Electronic Faucet: 4" Deck Mount Cast Spout w/
1.0 GPM VR Aerator, AC/DC Control Module w/ Internal Flow Control Setting
Switches, Thermostatic Temperature Control Mixing Valve w/ Integral Check
Valves, Hydro-Generator & 18" Flexible Stainless Steel Supply Hoses

Product Compliance:
ASME A112.18.1 / CSA B125.1
NSF 61 - Section 9
NSF 372 (Low Lead Content)
ANSI A117.1 (ADA)
UL 1951
ASSE 1070 (TMV)



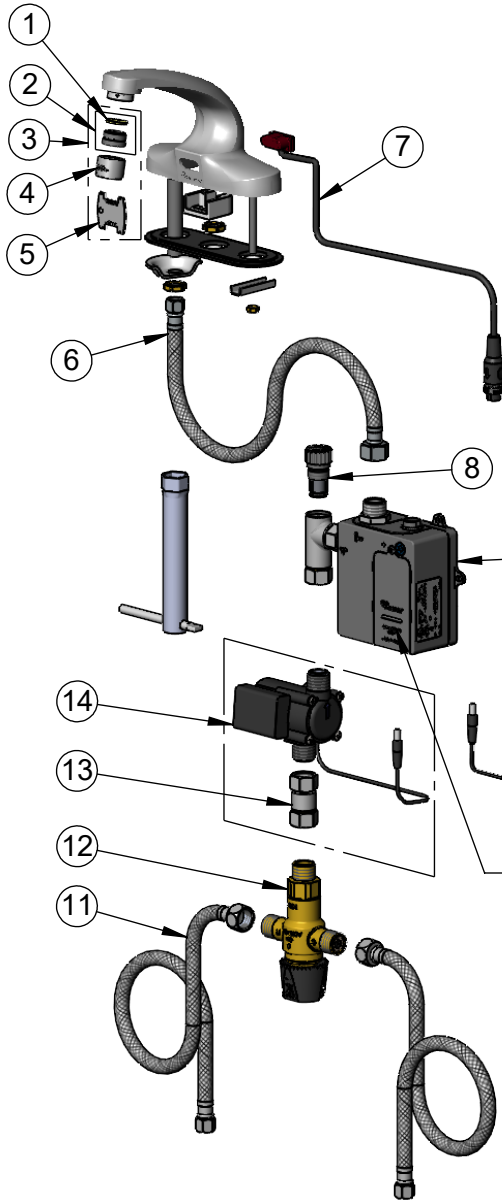
T&S BRASS AND BRONZE WORKS, INC.

2 Saddleback Cove / P.O. Box 1088
Travelers Rest, SC 29690

Model No.
EC-3104TMVHGF10

Item No.

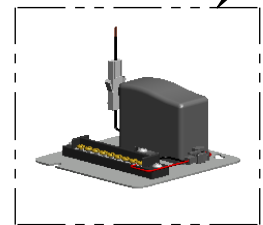
Travelers Rest, SC: 800-476-4103 • Simi Valley, CA: 800-423-0150 • Fax: 864-834-3518 • www.tsbrass.com



ITEM NO.	SALES NO.	DESCRIPTION
1	001048-45	Nozzle Tip Washer
2	001651-47	Aerator Adapter
3	B-0199-08-F10	VR 2.2 GPM Aerator, 13/16-27 UN Male w/ Key
4	B-0199-06-F10	VR Aerator, 1.0 GPM, 55/64-27 Female
5	015425-45	Vandal Resistant Key
6	016297-45	Inlet Hose, Faucet, 1/2" NPSM-F x 1/4" NPSM-F
* 7	019174-45	Sensor Cable Assembly
8	EC-FILTER	Replacement Filter
* 9	019944-45	ChekPoint Control Module w/ Filter Tee
* 10	5EF-0002C	AC Adapter - US Plug
11	5EF-0005	Supply Hose, 9/16-24 Female x 1/2" NPSM
12	EC-TMV	ASSE 1070 Thermostatic Mixing Valve
13	017506-45	1/2" NPSM Swivel Coupling
14	EC-HYDROGEN	Hydro-Generator Power Supply

* For Versions Prior to 2021, Consult with T&S Customer Service

A Maximum of (8) ChekPoint Faucets can be Hardwire Connected and Powered by EC-HARDWARE ChekPoint Hardwire AC Transformer. (Sold Separately)



Flow Control Switches are Located Behind Battery Compartment Cover.
* Switches are Set to DEFAULT Position:
- Auto Time Out = 15 Seconds
- Shut Off Delay = 1 Second
- Auto Flush = OFF
- Metering Mode = OFF

*** Available Water Flow Control Selections:**

- Auto Time Out: 15 sec, 30 sec, 45 sec, 60 sec, 3 min, 20 min
- Shut Off Delay: 1 sec, 10 sec, 15 sec, 30 sec
- Auto Flush (30 Seconds After Every 12 Inactive Hours): ON or OFF
- Metering Mode: ON or OFF

Product Specifications:

Chrome Plated Brass Electronic Faucet: 4" Deck Mount Cast Spout w/ 1.0 GPM VR Aerator, AC/DC Control Module w/ Internal Flow Control Setting Switches, Thermostatic Temperature Control Mixing Valve w/ Integral Check Valves, Hydro-Generator & 18" Flexible Stainless Steel Supply Hoses

Product Compliance:

ASME A112.18.1 / CSA B125.1
NSF 61 - Section 9
NSF 372 (Low Lead Content)
ANSI A117.1 (ADA)
UL 1951
ASSE 1070 (TMV)