



# T&S BRASS AND BRONZE WORKS, INC.

2 Saddleback Cove / P.O. Box 1088  
Travelers Rest, SC 29690

Model No.

**B-0123-12-CR-BC**

Item No.

Travelers Rest, SC: 800-476-4103 • Simi Valley, CA: 800-423-0150 • Fax: 864-834-3518 • www.tsbrass.com

This Space for Architect/Engineer Approval

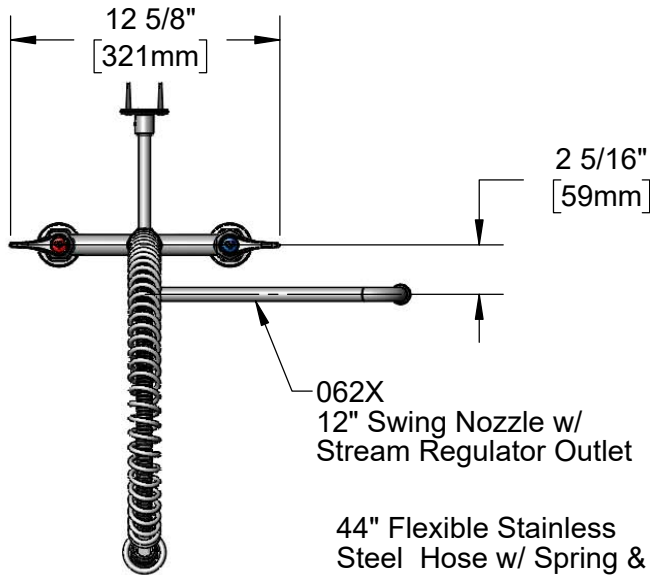
Job Name \_\_\_\_\_ Date \_\_\_\_\_

Model Specified \_\_\_\_\_ Quantity \_\_\_\_\_

Customer/Wholesaler \_\_\_\_\_

Contractor \_\_\_\_\_

Architect/Engineer \_\_\_\_\_



062X  
12" Swing Nozzle w/  
Stream Regulator Outlet

44" Flexible Stainless  
Steel Hose w/ Spring &  
Spray Valve

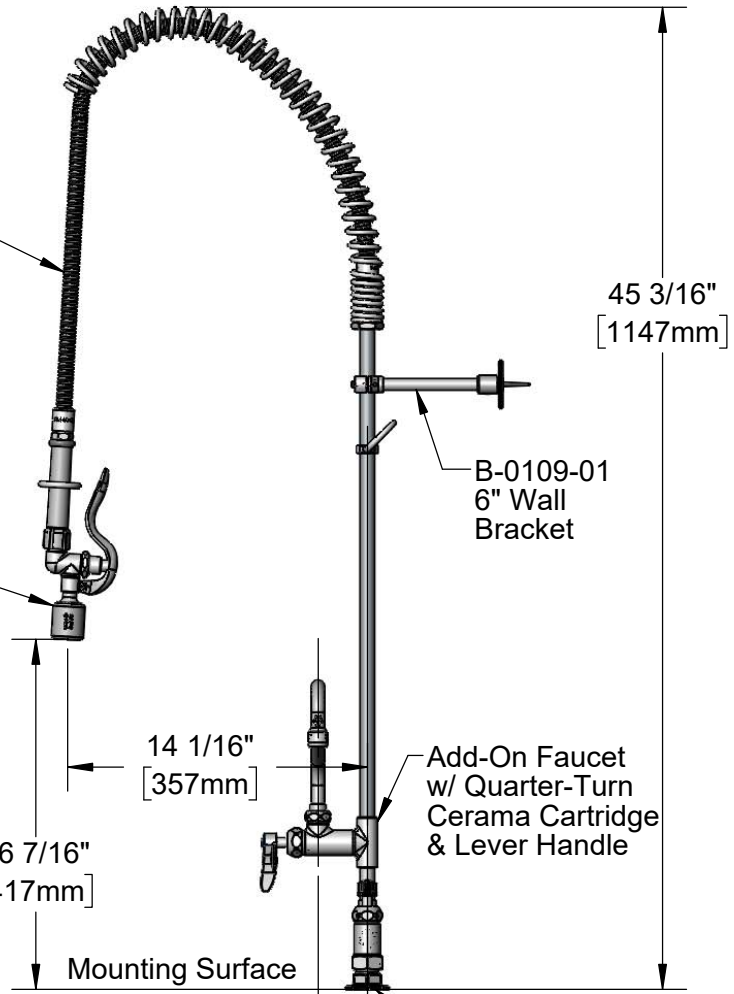
Items Not Shown  
for Clarity

3/8" NPT x 24" Riser

Finger Hook

B-0107-C  
0.65 GPM  
Low Flow  
Spray Valve

12"  
[305mm]



45 3/16"  
[1147mm]

B-0109-01  
6" Wall  
Bracket

Add-On Faucet  
w/ Quarter-Turn  
Cerama Cartridge  
& Lever Handle

14 1/16"  
[357mm]

16 7/16"  
[417mm]

Mounting Surface

2 5/16"  
[59mm]

Ø2" [51mm]  
Flanges w/  
1/2" NPT  
Female Inlets

5 1/16"  
[128mm]

8"  
[203mm]  
Adjustable From  
7 3/4" to 8 1/4"  
[197mm to 210mm]

Quarter-Turn Cerama  
Cartridges w/ Check  
Valves & Lever Handles  
w/ Color Coded Indexes

11 3/8"  
[289mm]

14 15/16"  
[379mm]

**Product Specifications:**

EasyInstall Pre-Rinse Unit:  
8" Deck Mount Mixing Faucet, Quarter-Turn Cerama Cartridges w/ Check  
Valves, Lever Handles, Add-On Faucet w/ 12" Swing Nozzle, 24" Riser, 44"  
Flexible Stainless Steel Hose, 0.65 GPM Low Flow Spray Valve, 6" Wall  
Bracket & 1/2" NPT Female Inlets

**Product Compliance:**

ASME A112.18.1 / CSA B125.1  
NSF 61 - Section 9  
NSF 372 (Low Lead Content)  
2019 DOE PRSV - Class I



# T&S BRASS AND BRONZE WORKS, INC.

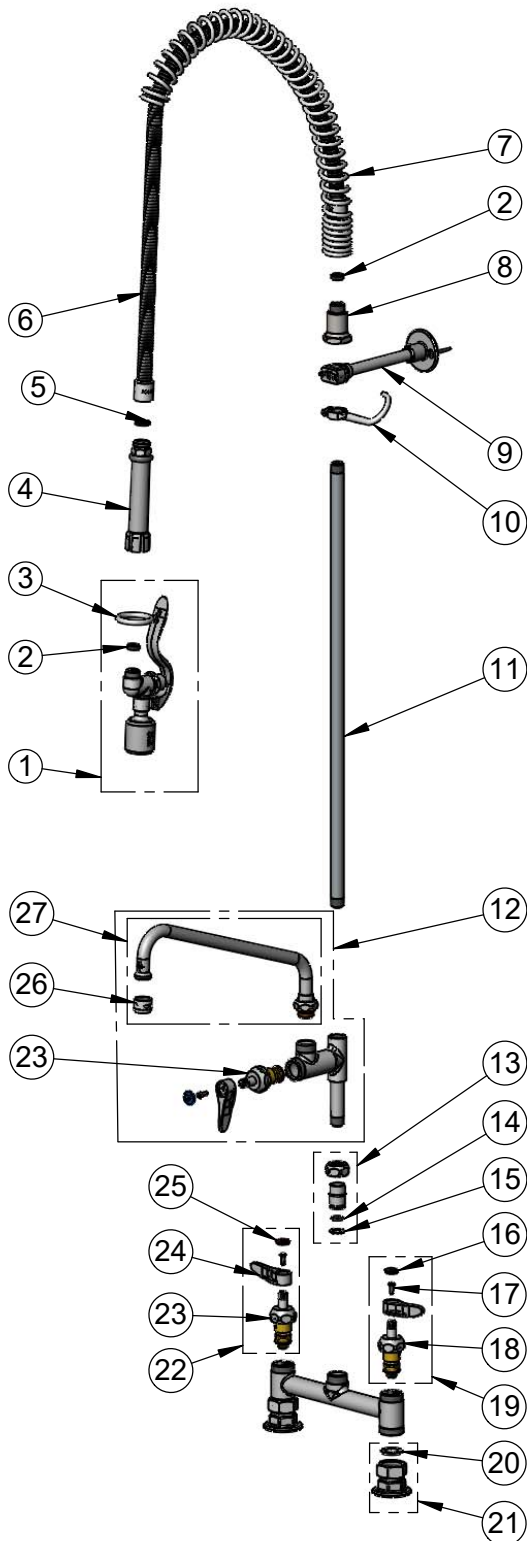
2 Saddleback Cove / P.O. Box 1088  
Travelers Rest, SC 29690

Model No.

**B-0123-12-CR-BC**

Item No.

Travelers Rest, SC: 800-476-4103 • Simi Valley, CA: 800-423-0150 • Fax: 864-834-3518 • www.tsbrass.com



| ITEM NO. | SALES NO.   | DESCRIPTION   |
|----------|-------------|---|
| 1        | B-0107-C    | 0.65 GPM Low Flow Spray Valve   |
| 2        | 010476-45   | #27 Washer  |
| 3        | 000907-45   | Spray Valve Hold Down Ring  |
| 4        | 002987-40   | Grip Handle   |
| 5        | 001014-45   | Washer, B-0100 Hose Barrel  |
| 6        | B-0044-H2A  | 44" Flexible Stainless Steel Hose, Less Handle  |
| 7        | 000888-45   | EasyInstall Overhead Spring   |
| 8        | 000821-40   | Spring Body   |
| 9        | B-0109-01   | 6" Wall Bracket   |
| 10       | 004R        | Finger Hook   |
| 11       | 000372-40   | 3/8" NPT x 24" Riser  |
| 12       | B-0156-CR   | Add-On Faucet, w/ Quarter-Turn Cerama Cartridge w/ Check Valve & Lever Handle, 12" Swing Nozzle |
| 13       | EZ-K        | EasyInstall Kit   |
| 14       | 001065-45   | O-Ring  |
| 15       | 014200-45   | Star Washer, Anti-Rotation  |
| 16       | 018506-19NS | Blue Button Index, Press-in   |
| 17       | 000925-45   | Lab Handle Screw  |
| 18       | 012395-25NS | Quarter-Turn Cerama Cartridge w/ Check Valve, LTC   |
| 19       | 012447-25NS | Quarter-Turn Cerama Cartridge w/ Check Valve, Handle, Blue Index & Screw, LTC                   |
| 20       | 001019-45   | Coupling Nut Washer   |
| 21       | 00AA        | 1/2" NPT Female Eccentric Flange  |
| 22       | 012446-25NS | Quarter-Turn Cerama Cartridge w/ Check Valve, Handle, Red Index & Screw, RTC                    |
| 23       | 012394-25NS | Quarter-Turn Cerama Cartridge w/ Check Valve, RTC   |
| 24       | 001638-45NS | Lever Handle (New Style)  |
| 25       | 001193-19NS | Red Button Index, Press-in  |
| 26       | B-PT        | Full Flow Stream Regulator  |
| 27       | 062X        | 12" Swing Nozzle  |

**Product Specifications:**

EasyInstall Pre-Rinse Unit:  
8" Deck Mount Mixing Faucet, Quarter-Turn Cerama Cartridges w/ Check Valves, Lever Handles, Add-On Faucet w/ 12" Swing Nozzle, 24" Riser, 44" Flexible Stainless Steel Hose, 0.65 GPM Low Flow Spray Valve, 6" Wall Bracket & 1/2" NPT Female Inlets

**Product Compliance:**

ASME A112.18.1 / CSA B125.1  
NSF 61 - Section 9  
NSF 372 (Low Lead Content)  
2019 DOE PRSV - Class I