

This Space for Architect/Engineer Approval

Job Name _____ Date _____

Model Specified _____ Quantity _____

Customer/Wholesaler _____

Contractor _____

Architect/Engineer _____

Universal EasyInstall
Stainless Steel Wall Mount
Swing Bracket w/ 100° Rotation

B-0963
Continuous Pressure
Vacuum Breaker w/
Integral Check Valve

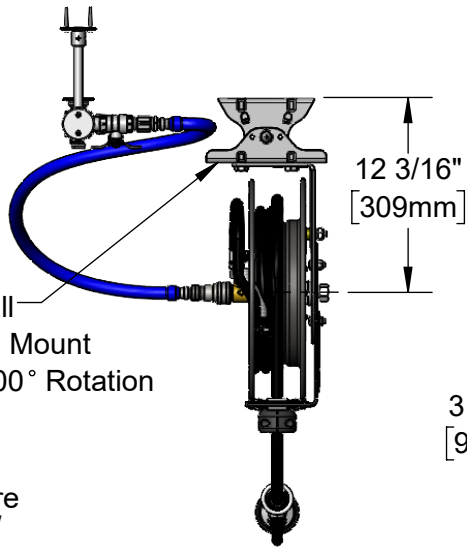
Stainless Steel
Quick Disconnect

3/8" NPT x 36"
Flexible Water
Connector

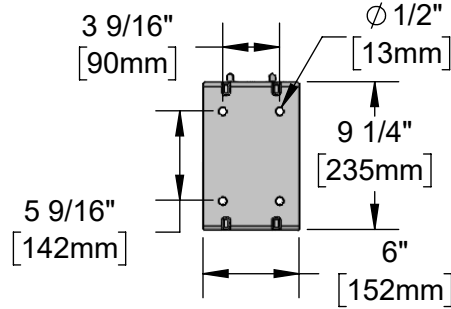
3/8" NPT x 40"
Riser

(2) 013716-40
Wall Brackets

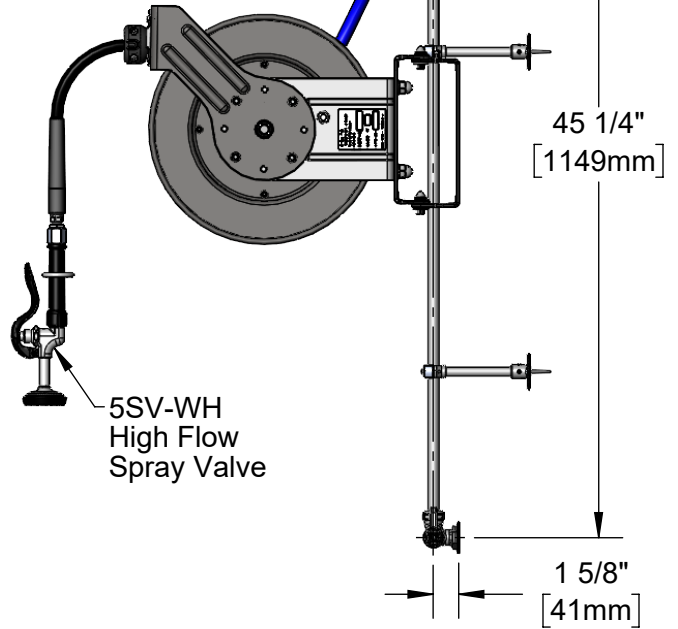
Single Supply
Wall Mount Faucet,
Quarter-Turn
Ceramic Cartridge
& equip Lever Handle



Mounting Detail



Black Powder Coated Hose Reel
w/ 35' of ϕ 3/8" Hose



5SV-WH
High Flow
Spray Valve

1 7/8"
[48mm]

ϕ 1 15/16"
[50mm]

Rough-In Requirement:
 ϕ 1" [25mm] Mounting Hole

Model Number

5HR-232-01WE2

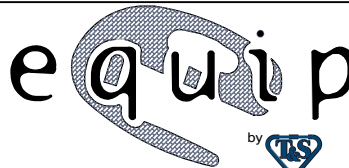
Product Specifications:

Open Epoxy Coated Steel Hose Reel w/ 35' of 3/8" Hose,
High Flow Spray Valve, Vacuum Breaker, 3/8" NPT Flexible
Water Hose, Single Supply Wall Mount Faucet, 1/2" NPT Female Inlet,
(2) Wall Brackets, & Universal Swing Bracket

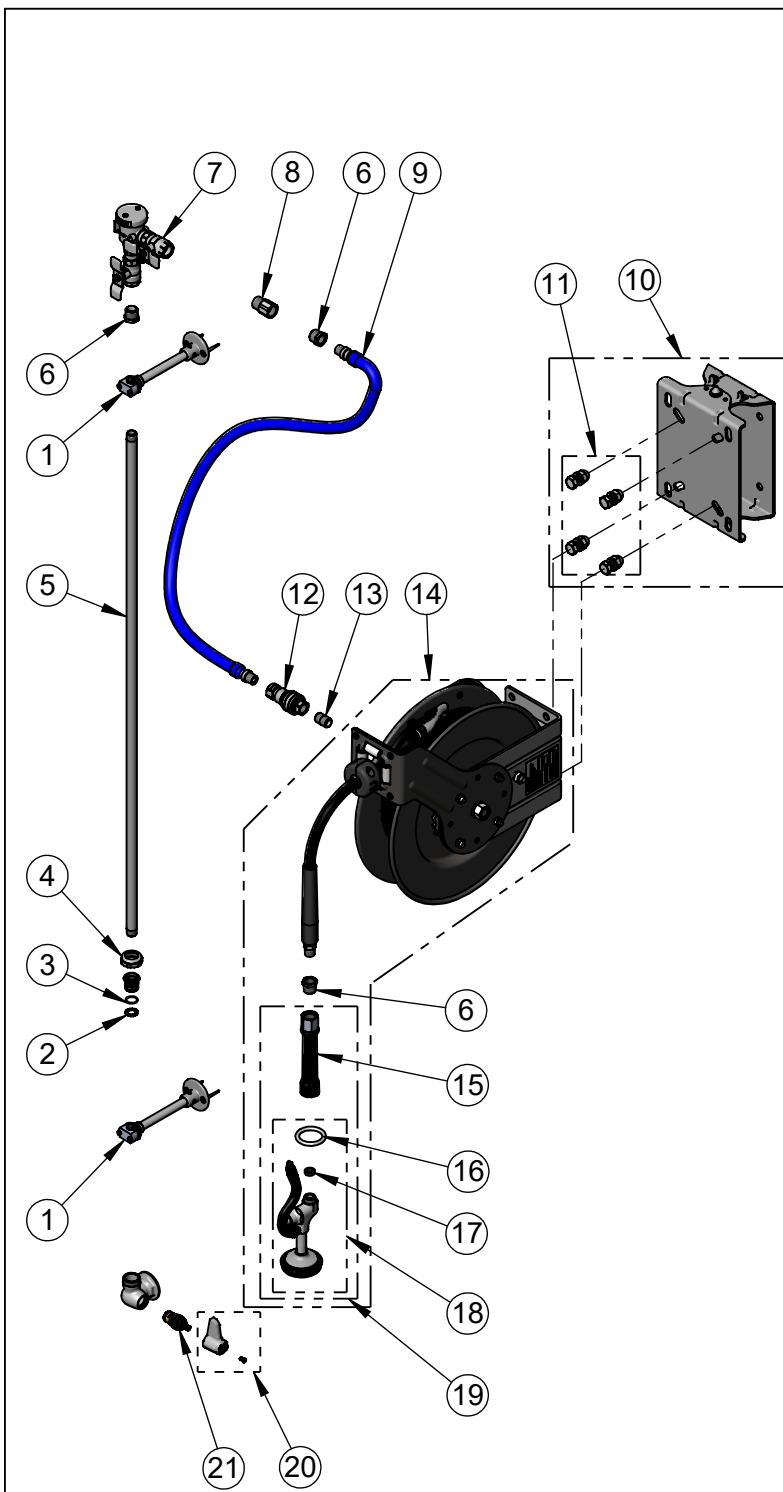
Product Compliance:

NSF 61 Exempt (Non-Potable)
2019 DOE PRSV Non-Compliant
ASSE 1056 (VB)

equip
Foodservice
Accessories



2 Saddleback Cove, P.O. Box 1088
Travelers Rest, South Carolina 29690
Phone: 800.891.4808 Fax: 800.868.0084
equip.tsbrass.com



ITEM NO.	SALES NO.	DESCRIPTION
1	013716-40	Bracket Assembly, 6" Wall
2	014200-45	Star Washer, Anti-Rotation
3	001065-45	O-Ring
4	013839-25	equip Swivel Nut
5	002558-40	3/8" NPT x 40" Riser
6	001359-40	Hex Bushing, 1/2" NPT Male x 3/8" NPT Female
7	B-0963	Continuous Pressure VB w/ Integral Check Valve
8	015073-40	Check Valve w/ 1/2" NPT Adapter
9	HW-2B-36	3/8" NPT x 36" Flexible Water Hose
10	G019430-45	Universal EasyInstall Stainless Steel Swing Bracket
11	019191-45K	Hose Reel Bracket Mounting Kit
12	AW-5B	3/8" NPT Quick Disconnect
13	002535-25	3/8" Close Nipple
14	5HR-232-01	35' of 3/8" equip Open Coated Hose Reel
15	5HR-HDL	Hose Reel Grip Handle
16	000907-45	Spray Valve Hold Down Ring
17	010476-45	#27 Washer
18	5SV-H	High Flow Spray Valve
19	5SV-WH	High Flow Spray Valve, Handle, & Ring
20	5-HDL-L	equip Lever Handle w/ Color Coded Screws
21	013787-45	equip Ceramic Cartridge, RTC

Model Number
5HR-232-01WE2

Product Compliance:
NSF 61 Exempt (Non-Potable)
2019 DOE PRSV Non-Compliant
ASSE 1056 (VB)

Product Specifications:
Open Epoxy Coated Steel Hose Reel w/ 35' of 3/8" Hose, High Flow Spray Valve, Vacuum Breaker, 3/8" NPT Flexible Water Hose, Single Supply Wall Mount Faucet, 1/2" NPT Female Inlet, (2) Wall Brackets, & Universal Swing Bracket

equip Foodservice Accessories



2 Saddleback Cove, P.O. Box 1088
Travelers Rest, South Carolina 29690
Phone: 800.891.4808 Fax: 800.868.0084
equip.tsbrass.com