



T&S BRASS AND BRONZE WORKS, INC.

2 Saddleback Cove / P.O. Box 1088
Travelers Rest, SC 29690

Model No.

EC-3132-LF22

Item No.

Travelers Rest, SC: 800-476-4103 • Simi Valley, CA: 800-423-0150 • Fax: 864-834-3518 • www.tsbrass.com



ADA Compliant



This Space for Architect/Engineer Approval

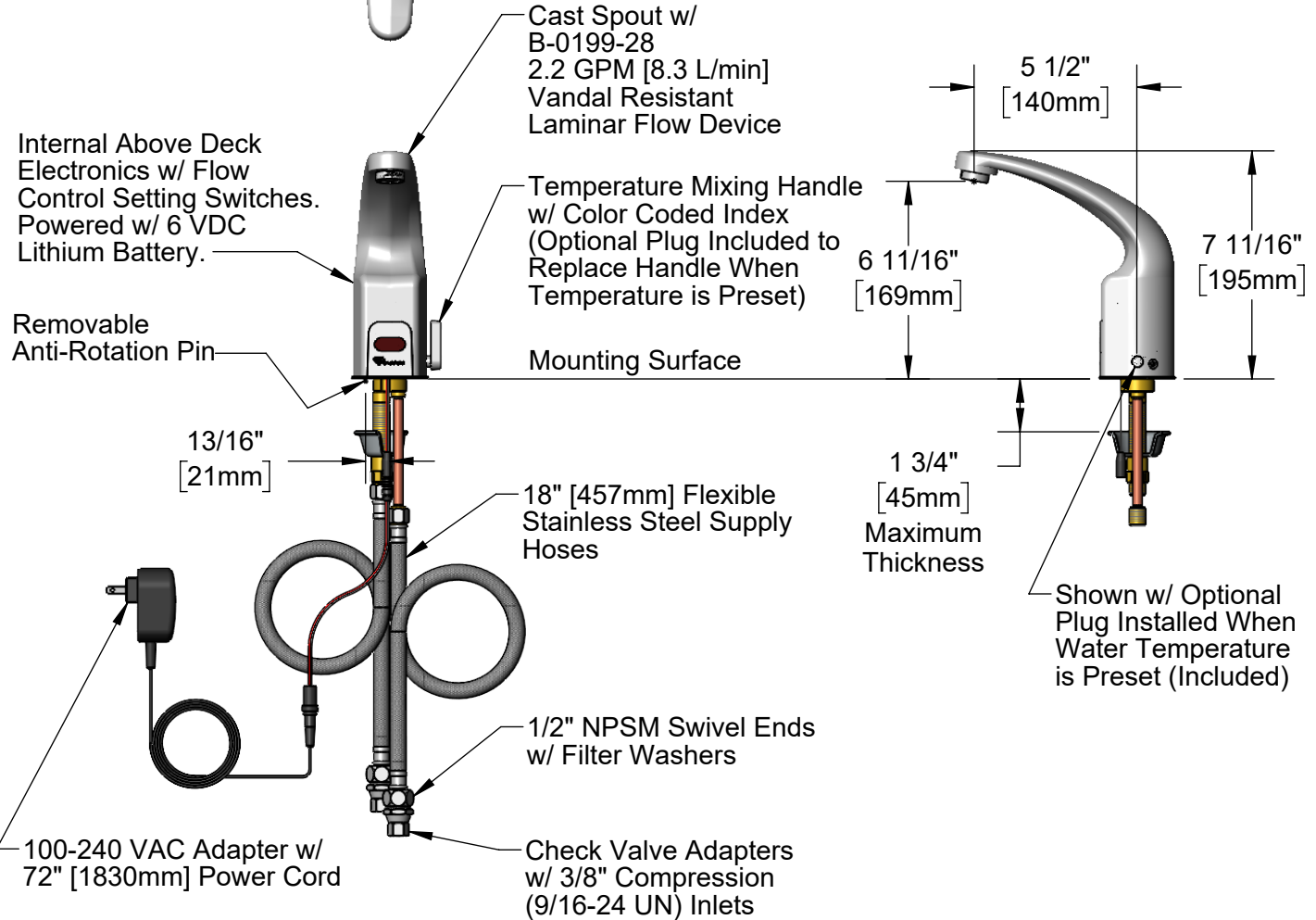
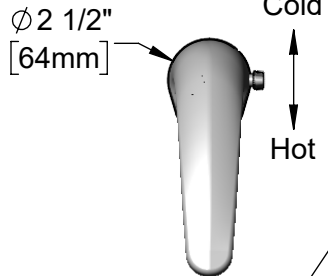
Job Name _____ Date _____

Model Specified _____ Quantity _____

Customer/Wholesaler _____

Contractor _____

Architect/Engineer _____



Rough-In Requirement:

- $\phi 1 \frac{1}{4}$ " [32mm] Mounting Hole
- $\phi 3/16$ " [5mm] Anti-Rotation Pin Hole (Optional)

Product Specifications:

Chrome Plated Brass Above Deck Electronics Faucet, Single Hole Deck Mount, Cast Spout w/ 2.2 GPM VR Laminar Flow Device, Point-of-Use Temperature Control, Battery or AC Adapter Powered, Stainless Steel Flexible Supply Lines & 3/8" Compression Inlets

Product Compliance:

ASME A112.18.1 / CSA B125.1
 NSF 61 - Section 9
 NSF 372 (Low Lead Content)
 ANSI A117.1 (ADA)
 UL 1951



T&S BRASS AND BRONZE WORKS, INC.

2 Saddleback Cove / P.O. Box 1088
Travelers Rest, SC 29690

Model No.

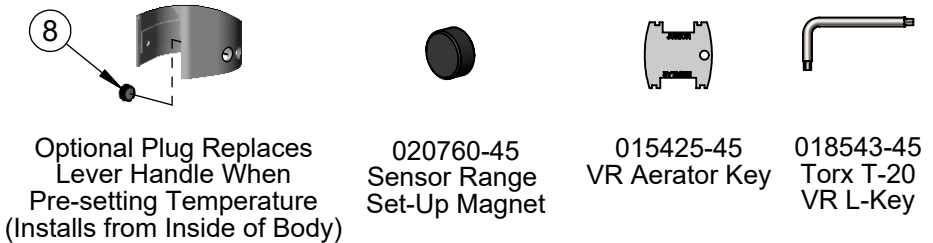
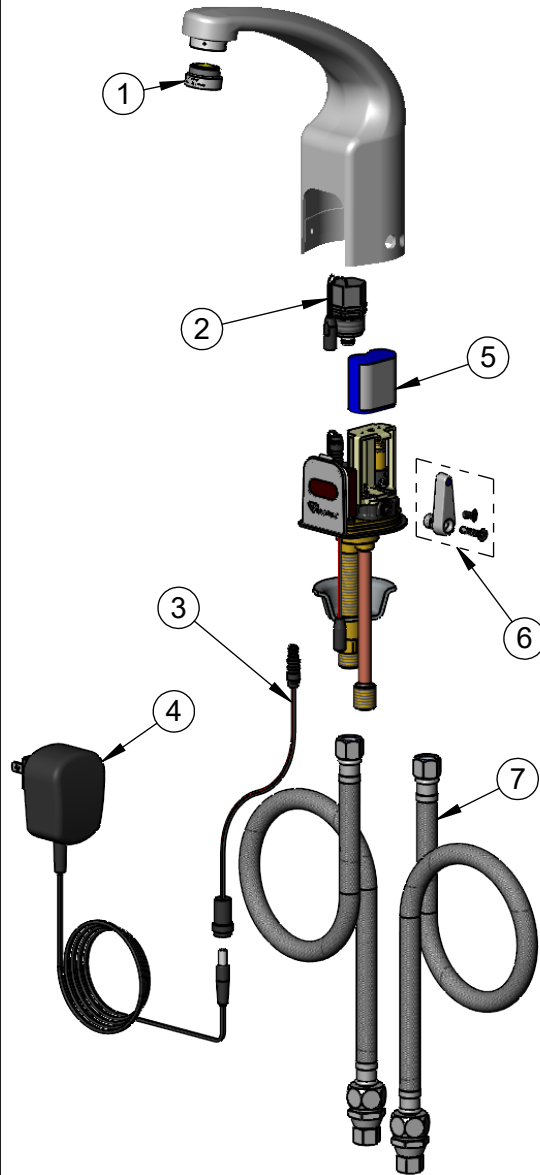
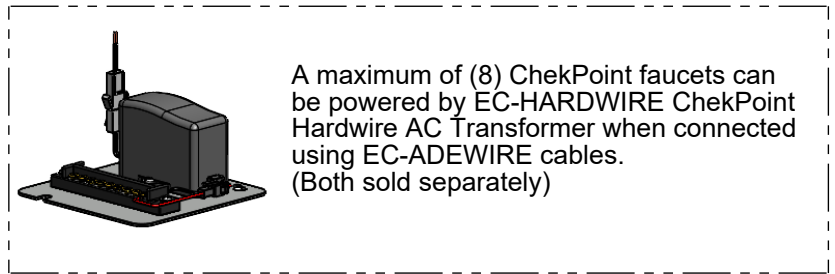
EC-3132-LF22

Item No.

Travelers Rest, SC: 800-476-4103 • Simi Valley, CA: 800-423-0150 • Fax: 864-834-3518 • www.tsbrass.com

ITEM NO.	SALES NO.	DESCRIPTION
1	B-0199-28	VR Laminar Device, 13/16-27UN Male, 2.2 GPM
2	020330-45	Solenoid Valve, M22 x 2 Male Thd
* 3	020417-45	Aux. Power Connector Cable
* 4	5EF-0002C	AC Adapter - US Plug
5	019087-45	6VDC Lithium Battery, CR-P2
* 6	020270-45	Lever Asm & Body Screw Kit w/ L-Key
7	018544-45	SS Flex Hose w/ Check Valve Adapter
* 8	020426-45	Body Plug, Pre-Set Temperature

* For Versions Prior to 2024, Consult with T&S Customer Service



Flow Control Switches are Located Behind the Sensor.
Remove Battery to Access Switches.

* Switches are set to DEFAULT position:

- Auto Time Out = 15 seconds
- Shut Off Delay = 1 second
- Auto Flush = OFF
- Metering Mode = OFF

* Available Water Flow Control Selections:

- Auto Time Out: 15 sec, 30 sec, 45 sec, 60 sec, 3 min, 20 min
- Shut Off Delay: 1 sec, 10 sec, 15 sec, 30 sec
- Auto Flush (30 Seconds After Every 12 Inactive Hours): ON or OFF
- Metering Mode: ON or OFF

Product Specifications:

Chrome Plated Brass Above Deck Electronics Faucet, Single Hole Deck Mount, Cast Spout w/ 2.2 GPM VR Laminar Flow Device, Point-of-Use Temperature Control, Battery or AC Adapter Powered, Stainless Steel Flexible Supply Lines & 3/8" Compression Inlets

Product Compliance:

ASME A112.18.1 / CSA B125.1
NSF 61 - Section 9
NSF 372 (Low Lead Content)
ANSI A117.1 (ADA)
UL 1951