

This Space for Architect/Engineer Approval

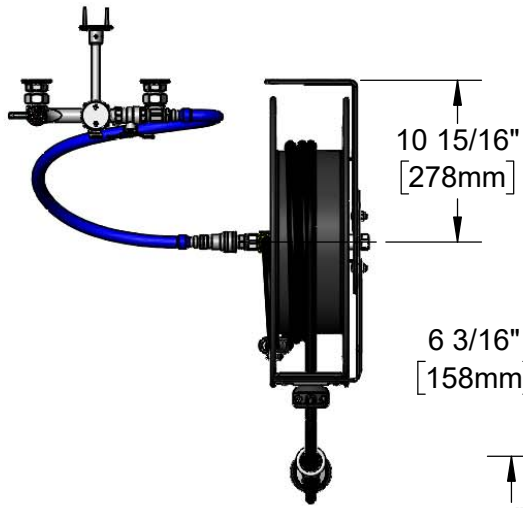
Job Name _____ Date _____

Model Specified _____ Quantity _____

Customer/Wholesaler _____

Contractor _____

Architect/Engineer _____



B-0963
Continuous Pressure
Vacuum Breaker w/
Integral Check Valve

Stainless Steel
Quick Disconnect

3/8" NPT x 36"
Flexible Water
Connector

3/8" NPT x 40"
Riser

(2) 013716-40
Wall Brackets

2 3/4"
[70mm]

Ø 2" [51mm]
Flanges w/
1/2" NPT
Female Inlets
& In-Line
Check Valves

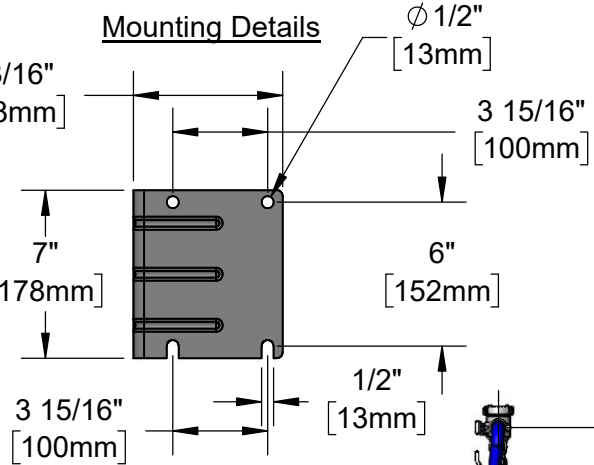
Adjustable From
7 3/4" to 8 1/4"
[197mm to 210mm]

8" Wall Mount
Mixing Faucet,
Quarter-Turn
Ceramic Cartridges
& equip Lever Handles
w/ Color Coded
Indexes

Black Powder Coated Hose Reel
w/ 50' of Ø 3/8" Hose

5SV-WH
High Flow
Spray Valve

Mounting Details



44 15/16"
[1141mm]

2 3/8"
[60mm]

Model Number

5HR-242-01XE1

Product Specifications:

Open Epoxy Coated Steel Hose Reel w/ 50' of 3/8" Hose,
High Flow Spray Valve, Vacuum Breaker, 3/8" NPT Flexible
Water Hose, 8" Wall Mount Mixing Faucet, In-Line Check Valves,
1/2" NPT Female Inlets & (2) Wall Brackets

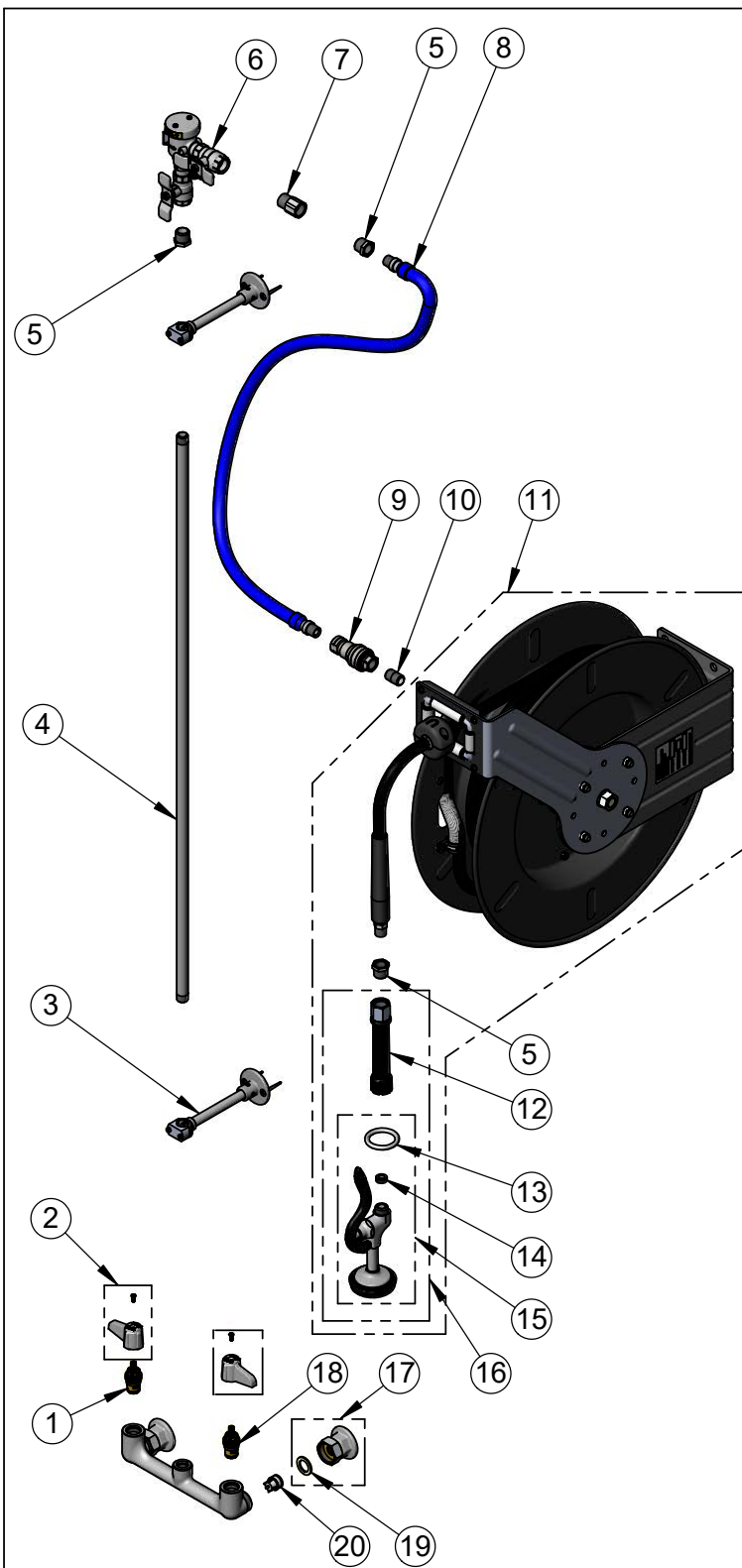
Product Compliance:

NSF 61 Exempt (Non-Potable)
2019 DOE PRSV Non-Compliant
ASSE 1056 (VB)

equip
Foodservice
Accessories



2 Saddleback Cove, P.O. Box 1088
Travelers Rest, South Carolina 29690
Phone: 800.891.4808 Fax: 800.868.0084
equip.tsbrass.com



ITEM NO.	SALES NO.	DESCRIPTION
1	013787-45	equip Ceramic Cartridge, RTC
2	5-HDL-L	equip Lever Handle w/ Color Coded Screws
3	013716-40	6" Wall Bracket
4	002558-40	3/8" NPT x 40" Riser
5	001359-40	Hex Bushing, 1/2" NPT Male x 3/8" NPT Female
6	B-0963	Continuous Pressure VB w/ Integral Check Valve
7	015073-40	Check Valve w/ 1/2" NPT Adapter
8	HW-2B-36	3/8" NPT x 36" Flexible Water Hose
9	AW-5B	3/8" NPT Quick Disconnect
10	002535-25	3/8" Close Nipple
11	5HR-242-01	50' of 3/8" equip Open Coated Reel Hose
12	5HR-HDL	Hose Reel Grip Handle
13	000907-45	Spray Valve Hold Down Ring
14	010476-45	#27 Washer
15	5SV-H	High Flow Spray Valve
16	5SV-WH	High Flow Spray Valve, Handle, & Ring
17	00AA	1/2" NPT Female Inlet Flange
18	013788-45	equip Ceramic Cartridge, LTC
19	001019-45	Coupling Nut Washer
20	013840-45	20mm Check Valve

Model Number

5HR-242-01XE1

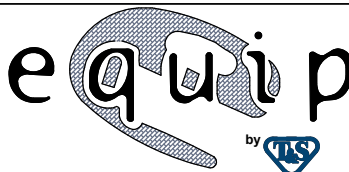
Product Compliance:

NSF 61 Exempt (Non-Potable)
2019 DOE PRSV Non-Compliant
ASSE 1056 (VB)

Product Specifications:

Open Epoxy Coated Steel Hose Reel w/ 50' of 3/8" Hose,
High Flow Spray Valve, Vacuum Breaker, 3/8" NPT Flexible
Water Hose, 8" Wall Mount Mixing Faucet, In-Line Check Valves,
1/2" NPT Female Inlets & (2) Wall Brackets

equip
Foodservice
Accessories



2 Saddleback Cove, P.O. Box 1088
Travelers Rest, South Carolina 29690
Phone: 800.891.4808 Fax: 800.868.0084
equip.tsbrass.com