



**T&S BRASS AND BRONZE WORKS, INC.**

2 Saddleback Cove / P.O. Box 1088  
Travelers Rest, SC 29690

Model No.

**B-0579**

Item No.

Travelers Rest, SC: 800-476-4103 • Simi Valley, CA: 800-423-0150 • Fax: 864-834-3518 • www.tsbrass.com

This Space for Architect/Engineer Approval

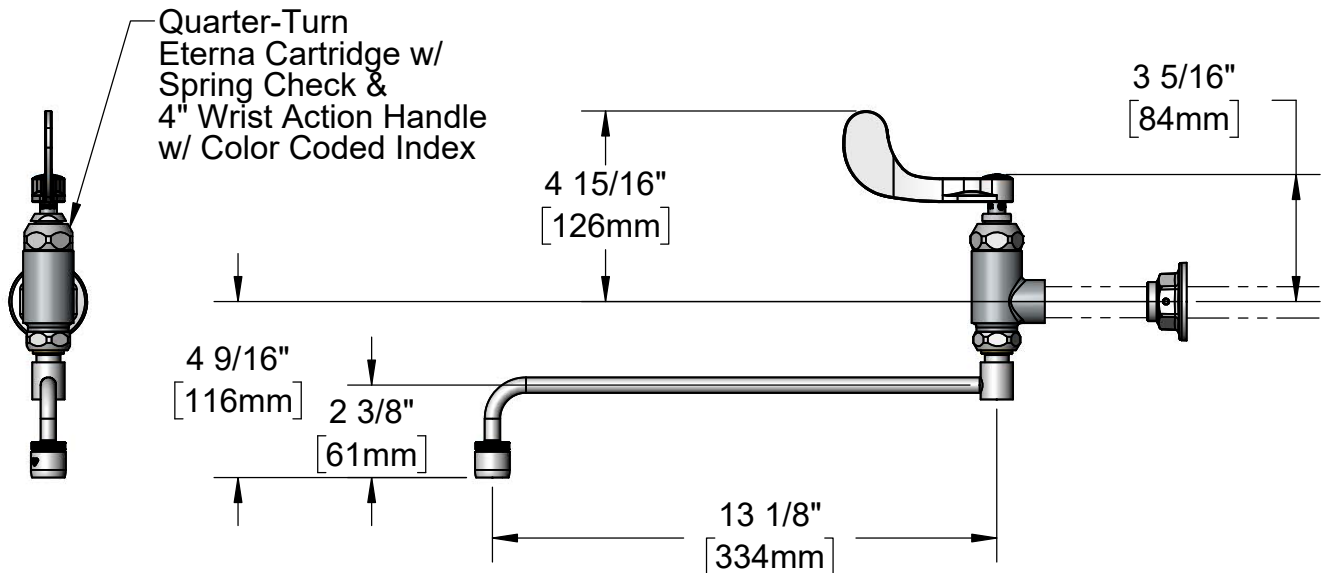
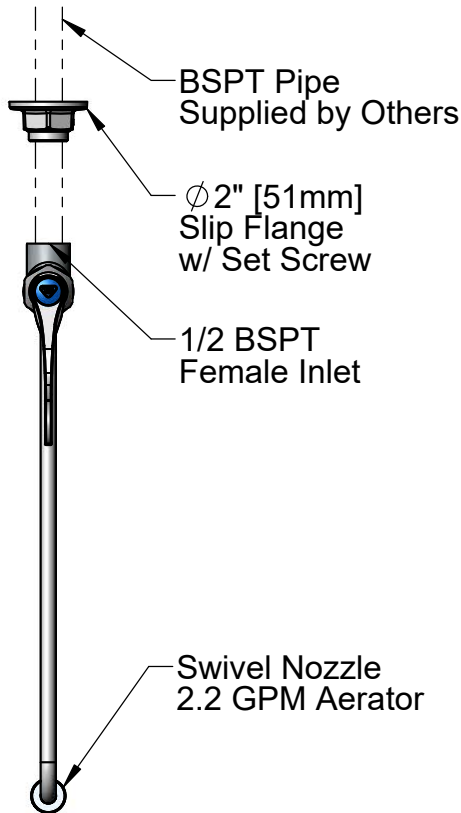
Job Name \_\_\_\_\_ Date \_\_\_\_\_

Model Specified \_\_\_\_\_ Quantity \_\_\_\_\_

Customer/Wholesaler \_\_\_\_\_

Contractor \_\_\_\_\_

Architect/Engineer \_\_\_\_\_



Rough-In Requirement:  
Ø1" [25mm] Mounting Hole

Product Specifications:  
Wall Mount Range Faucet, Quarter-Turn Eterna Cartridge w/ Spring Check,  
4" Wrist Action Handle, Swivel Nozzle w/ 2.2 GPM Aerator Outlet, 1/2" BSPT  
Female Inlet and Slip Flange

Product Compliance:  
ASME A112.18.1 / CSA B125.1  
NSF 61 - Section 9  
NSF 372 (Low Lead Content)  
ANSI A117.1 (ADA)



# T&S BRASS AND BRONZE WORKS, INC.

2 Saddleback Cove / P.O. Box 1088  
Travelers Rest, SC 29690

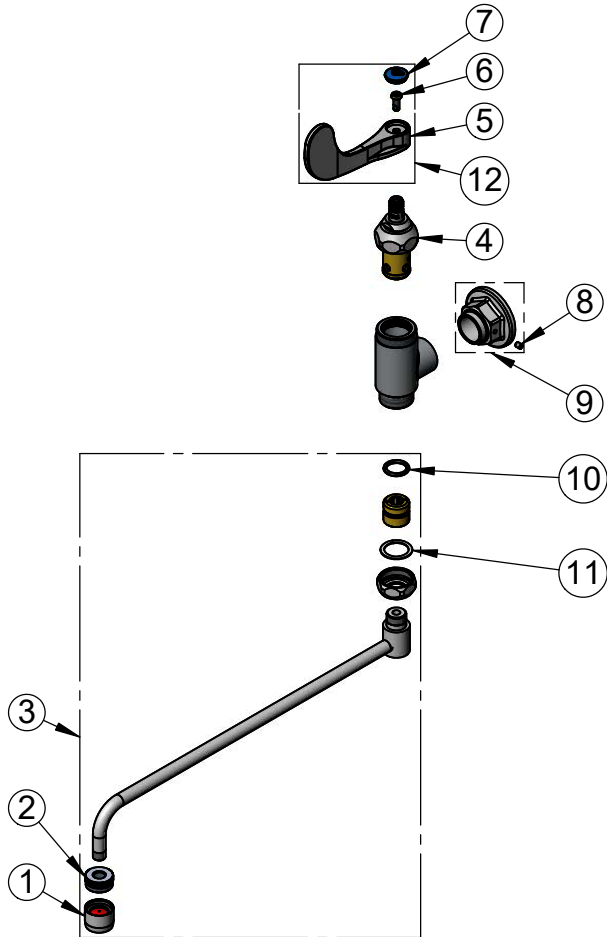
Model No.

**B-0579**

Item No.

Travelers Rest, SC: 800-476-4103 • Simi Valley, CA: 800-423-0150 • Fax: 864-834-3518 • www.tsbrass.com

ITEM NO.	SALES NO.	DESCRIPTION
1	B-0199-01	2.2 GPM Aerator, 55/64-27 UN Female
2	001624-25	Adapter, 1/8" Female x 55/64-27 UN Male
3	002868-40	Swivel Nozzle w/ 2.2 GPM Aerator
4	012443-40NS	Eterna Cartridge, LTC
5	B-WH4-NS	Wrist Action Handle - New Style
6	000925-45	Lab Handle Screw
7	018506-19NS	Blue Button Index, Press-in
8	150F	8-32 UN Set Screw
9	B-0460	1/2" Slip Flange
10	001074-45	O-Ring
11	009538-45	Swivel Washer
12	B-WH4C-NS	4" Wrist Action Handle w/ Blue Index & Screw



**Product Specifications:**

Wall Mount Range Faucet, Quarter-Turn Eterna Cartridge w/ Spring Check, 4" Wrist Action Handle, Swivel Nozzle w/ 2.2 GPM Aerator Outlet, 1/2" BSPT Female Inlet and Slip Flange

**Product Compliance:**

ASME A112.18.1 / CSA B125.1  
NSF 61 - Section 9  
NSF 372 (Low Lead Content)  
ANSI A117.1 (ADA)